

# WAFER TYPE BUTTERFLY VALVE TW 80/TW 100



Wafer type butterfly valve TW 100 with NBR-seat.

## TECHNICAL DATA

Nominal diameter:	DN 80 / DN 100
Face-to-face:	EBRO works standard
Flange accommodation:	DIN 28459 flanges for tank lorries
Flange Surface Design:	DIN 2526, Form A-E, ANSI RF
Tightness check:	EN 12266 (Leakage Rate 1) DIN 5208, Category 3 API 598 Table 5 ANSI B 16-104, Class VI
Temperature range:	-20°C to +80°C (depending on pressure and medium)
Operating pressure:	max. 6 bar
Differential pressure:	max. $\Delta p$ 6 bar
Body:	Aluminiumalloy - one piece - splitted
PTFE seal	GK-AISI12(Cu) (3.2583.02)
Seat:	EPDM (Ethylene propylene caoutchouc) NBR (Acrylnitrile butadiene rubber) FPM (Fluorocarbon caoutchouc) AU (Polyurethane) PTFE (Polytetrafluorethylene)
Disc:	Stainless Steel G-X6CrNiMo18-10 (1.4408)

## FEATURES

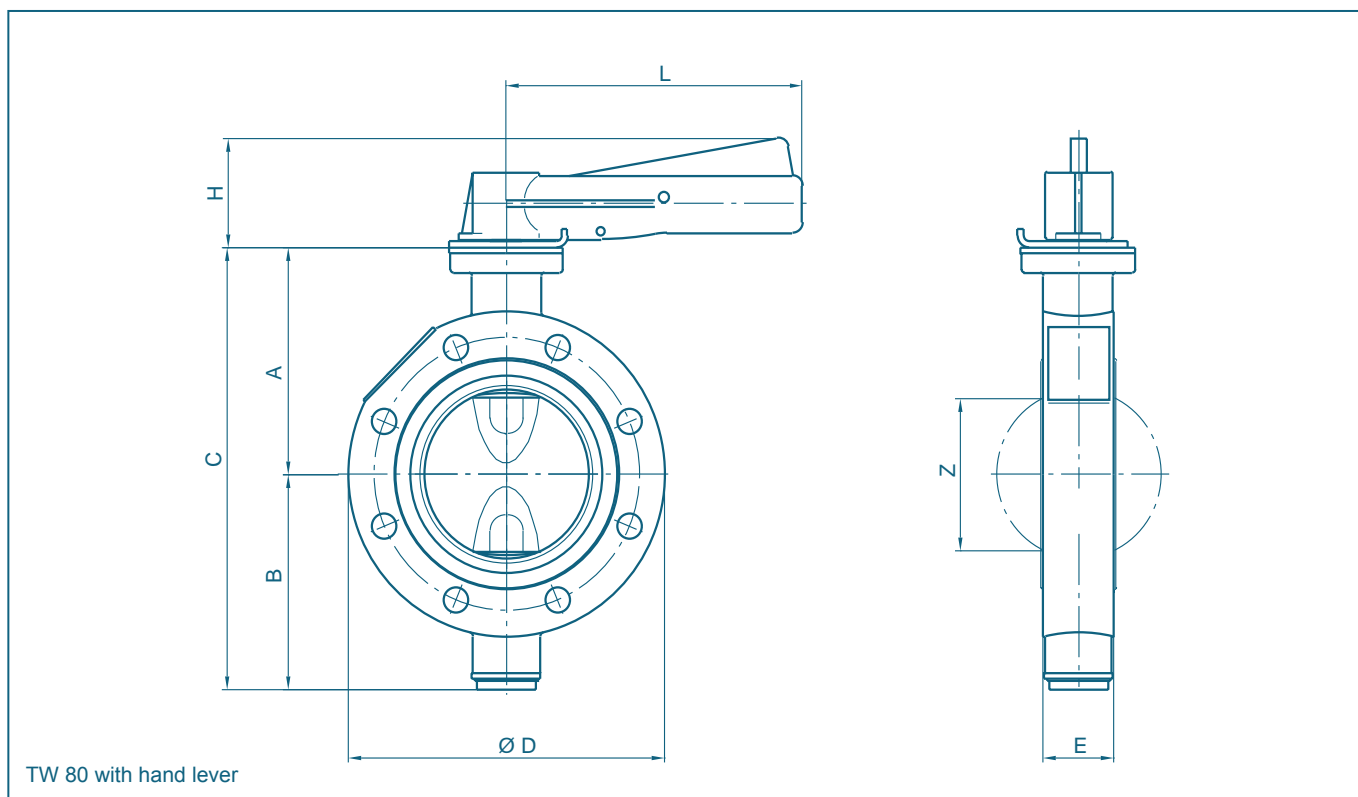
- Maintenance-free
- Triple shaft bearing
- Can be disassembled, material-specific recycling possible

## GENERAL APPLICATIONS

- Tank lorries



# WAFER TYPE BUTTERFLY VALVE TW 80/TW 100



DN [mm]	Size [in]	Dimensions [mm]								Weight [kg]
		A	B	C	D	E	H	L	Z	
80	3	108	103	211	155	35	52	145	71	2,3
100	4	118	113	231	174	35	52	145	93	2,6

TW DN 125: upon request

Subject to change without notice