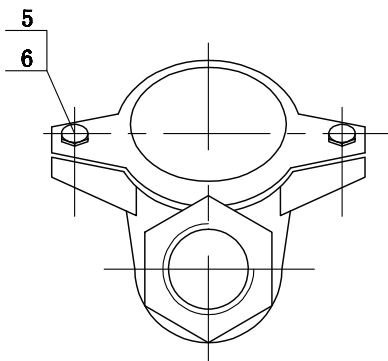
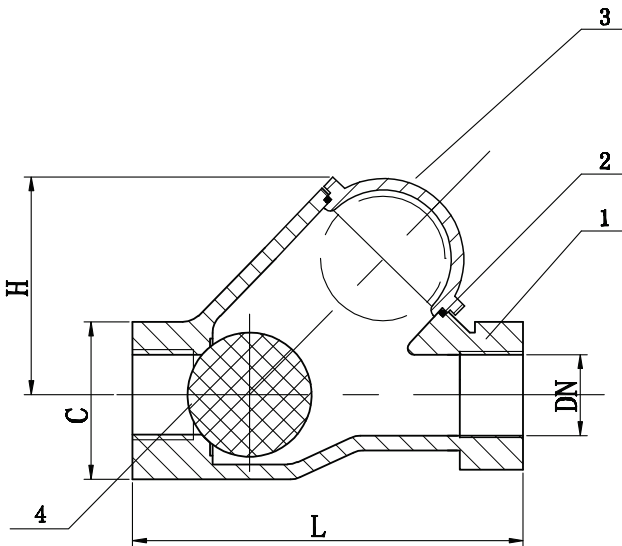


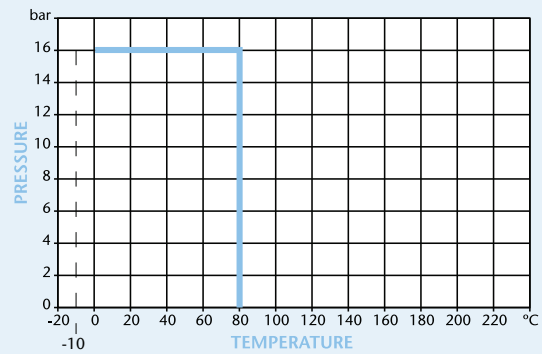
PN16 Ductile Iron Ball Check Valve

Features

- Screwed BSP Parallel
- Epoxy Coat Finish



Pressure/Temperature



DN	L	C	H	Kgs
25	125	47	75	1.33
32	132	59	75	1.71
40	145	70	85	1.71
50	174	82	126	4.16
65	200	106	113	5.46
80	243	132	165	10.00

N	Part Name	Material
1	Body	Ductile Iron
2	Gasket	NBR
3	Cap	Ductile Iron
4	Ball	NBR
5	Bolt	Steel
6	Nut	Steel

Technical Data

Maximum Pressure 16 Bar
 Working Temperature: 0°C to +80°C

Dimensions in mm

This data sheet is designed as a guide and should not be regarded as wholly accurate in every detail. We reserve the right to amend the specification of any product without notice.