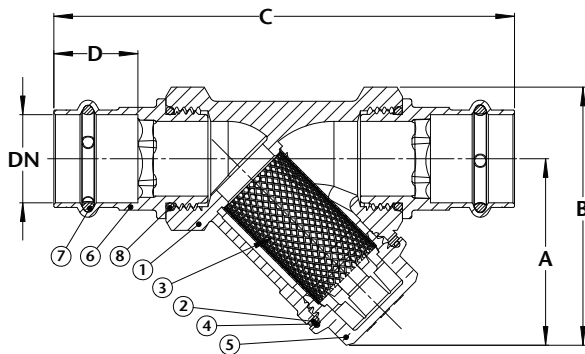


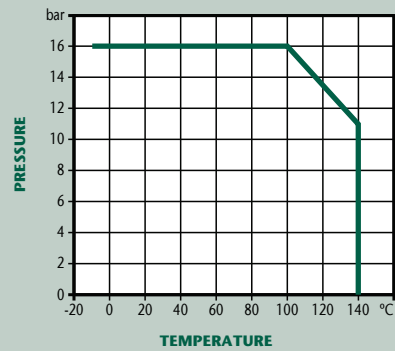
PN16 Brass 'Y' Type Strainer

Features

- 'M' Press Ends
- Brass Body
- EPDM 'O' Rings
- Stainless Steel Strainer
- Pre Press Leak Detection



Pressure / Temperature



DN	15	22	28	35	42	54
A	40	46	58	70	80	100
B	56	65	81	99	111	140
C	118	136	148	164	185	227
D	22	25	27	27	32	37
Kgs	0.32	0.45	0.60	1.07	1.32	2.35

Technical Data

Max Pressure	16 Bar
Working Temperature	-10°C to +140°C

N.	Part Name	Materials
1	Body	Brass
2	Gasket	NA1100
3	Strainer	Stainless Steel
4	O-Ring	HNBR
5	Bonnet	Brass
6	Adaptor	DZR Brass
7	O-Ring (Delta)	EPDM 70 PEROX
8	O-Ring	EPDM 70 PEROX

Dimensions in mm

This data sheet is designed as a guide and should not be regarded as wholly accurate in every detail. We reserve the right to amend the specification of any product without notice.