

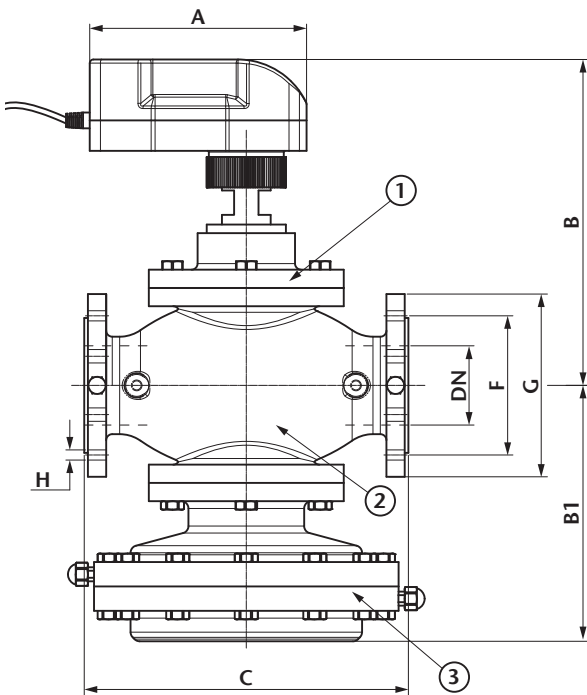
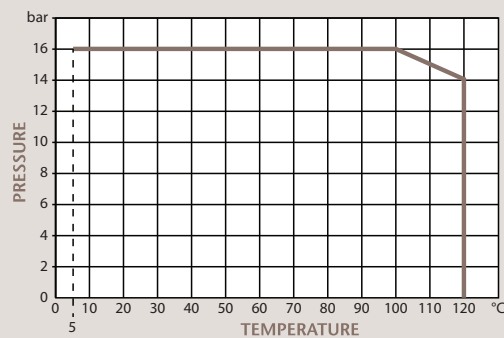


PN16 Pressure Independent Control Valve (PICV or PIBCV)

Features

- Ductile Iron - ASTM A536-65-45-12
- Control actuator mounted & supplied with PICV
- Easy Flow selection via electronic control actuator LED display
- Automatic flow balancing with fluctuating pressures
- Reduction of balancing costs
- Improved energy saving and high environmental comfort
- Reduced installation dimensions eliminating the requirement of straight pipelines to stabilise the flow

Pressure/Temperature



Technical Data

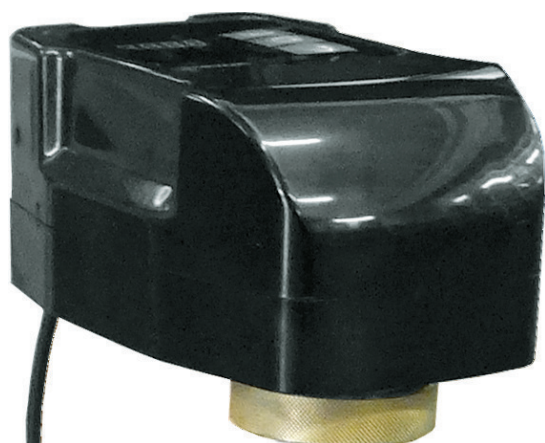
Max Pressure	16 Bar
Working Temperature	5°C to +120°C
Differential Pressure Range	4 Bar (400 kPa)

DN	50	65	80	100	125	150
A	178	178	178	178	178	178
B	301	296	324	334	361	396
B1	219	234	239	285	310	350
C	254	276	298	352	400	451
F	125	135	145	160	180	210
G	155	175	185	210	250	280
H	18x4	18x4	18x8	18x8	18x8	18x8
Kgs	38	48	60	102	126	162
Flow (l/s)	0.833-5.556	1.389-8.333	2.778-11.111	4.167-15.278	4.167-22.222	4.167-41.667
Min ΔP(kPa)	30	30	30	30	30	50
Kvs	36.5	54.8	73	100.4	146.1	273.9

N.	Part Name	Materials
1	Body	Ductile Iron
2	Regulator	Bronze
3	Diaphragm	EPDM

Dimensions in mm

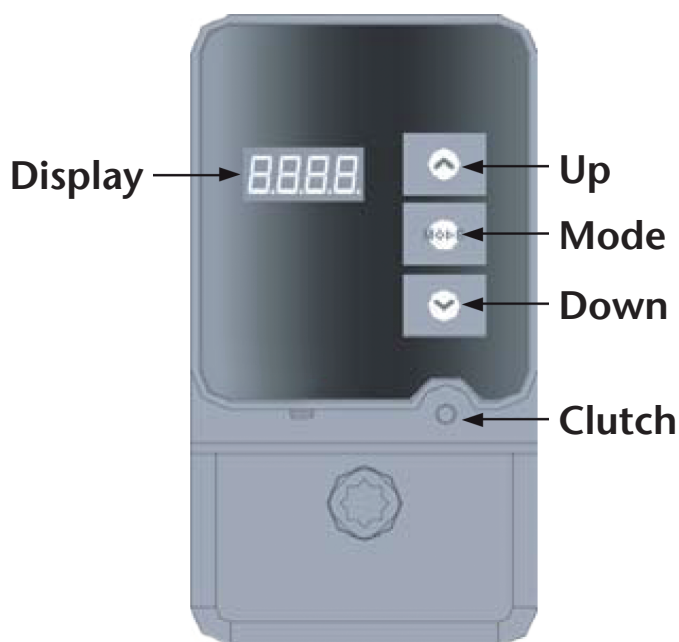
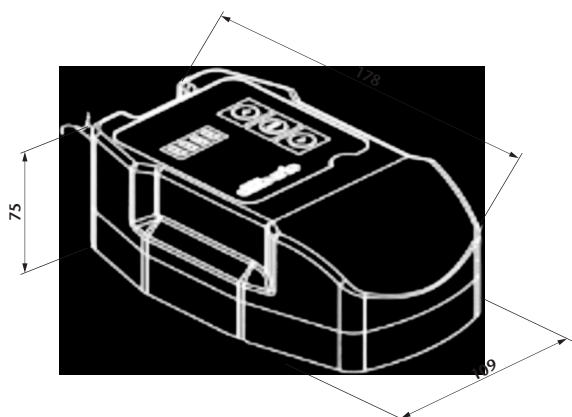
This data sheet is designed as a guide and should not be regarded as wholly accurate in every detail. We reserve the right to amend the specification of any product without notice.



Control Actuator to fit PICV ART 200 DN50-150

Features

- Single universal actuator
- Proportional, ON/OFF, 3 Positions, PWM Controls
- Swivel nut easy assembling
- Dual supply voltage: 24 V AC/DC
- Electronic adjustment and control system
- Self-calibration
- 4 digit FND display
- Position feedback: 4-20mA or 2-10 V
- Position detector with encoder
- Supplied with PICV pre-mounted



Technical Data

Voltage	24 V AC or 24 V DC
Control Signal	PID Control ON/OFF 3 Point PWM
Frequency	50 Hz
Closing & Opening Times	170 Sec
Degree/Class of Protection	IP 54
Actuating Torque	4 Nm
Weight	0.900 Kgs

Dimensions in mm

This data sheet is designed as a guide and should not be regarded as wholly accurate in every detail. We reserve the right to amend the specification of any product without notice.