

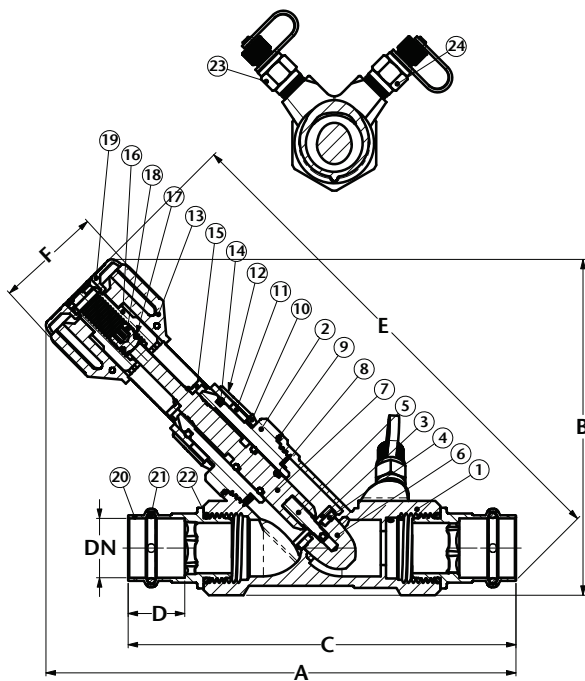
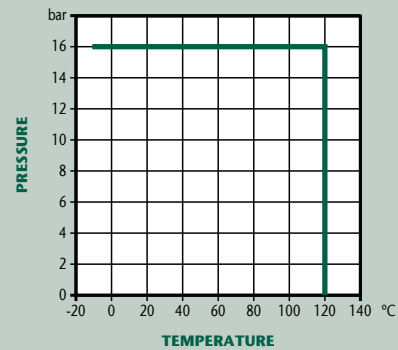


PN16 DZR Balancing Valve

Features

- 'M' Press Ends
- DZR Brass Body
- EPDM 'O' Rings
- Pre Press Leak Detection

Pressure / Temperature



DN	15	22	28	35	42	54
A	192.5	218	225	244.5	302.5	332.5
B	126.5	147	160.5	170	212.5	230
C	144	165	185	216	247.5	295
D	22	25	27	27	32	37
E	203	238.5	247	265	335	363.5
F	52	52	52	52	58	58
Kgs	0.77	1.06	1.34	1.96	2.85	4.37

N.	Part Name	Materials
1	Body	DZR Brass
2	Bonnet	DZR Brass
3	Gasket Support	DZR Brass
4	Gasket	EPDM
5	Stem for Shutter	DZR Brass
6	Shutter	DZR Brass
7	Stem	DZR Brass
8	O-Ring	EPDM PEROX
9	O-Ring	EPDM PEROX
10	Turn Index	Hostaform
11	Outdistance	Nylon
12	1/10 Turn Index	Hostaform
13	Knob	Hostaform
14	Pin	Steel
15	Index	Hostaform
16	Entrainer	Brass
17	Stem Gaskets O-Ring	NBR 70SH
18	Memory	Brass
19	Cup	Hostaform
20	Adaptor	DZR Brass
21	O-Ring (Delta)	EPDM 70 PEROX
22	O-Ring	EPDM 70 PEROX
23	Binder Point Blue	
24	Binder Point Red	

Technical Data

Max Pressure	16 Bar
Working Temperature	-10°C to +120°C

Dimensions in mm

This data sheet is designed as a guide and should not be regarded as wholly accurate in every detail. We reserve the right to amend the specification of any product without notice.