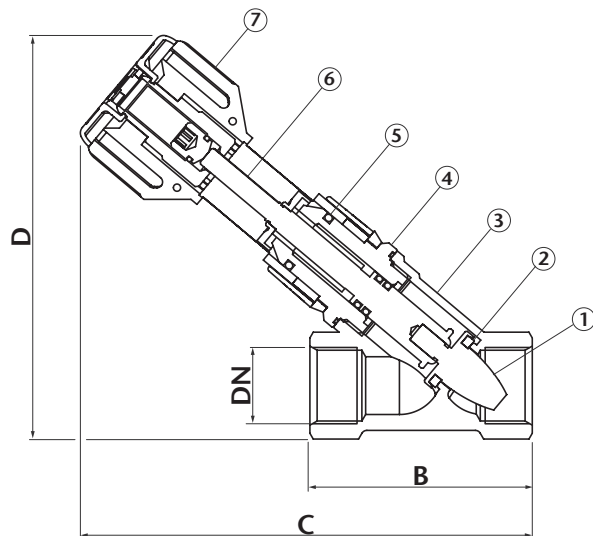




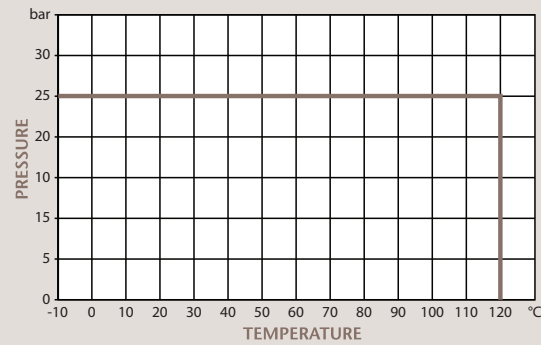
PN25 DZR Double Regulating Valve

Features

- Screwed BSP parallel
- Position indicator
- Double regulating valve
- Non rising stem
- EPDM disk seating gives tight shut off
- 1/2" available in Std. and Low flow versions
- Available with 'M' Press ends ART 26 PRS



Pressure/Temperature



DN	1/2"	3/4"	1"	1 1/4"	1 1/2"	2"
B	68	77	91	108	116	143
C	138	157	160	171	212	231
D	120	140	155	171	212	230
Kgs	0.48	0.65	0.86	1.28	1.89	2.80

Technical Data

Max Pressure	25 Bar
Working Temperature	-10°C to +120°C

N.	Part Name	Materials
1	Cone	DZR Brass
2	Cone Seat	EPDM Rubber
3	Body	DZR Brass
4	Bonnet	DZR Brass
5	'O' Rings	Nitrile Rubber
6	Stem	DZR Brass
7	Handwheel	Nylon 6

Dimensions in mm

This data sheet is designed as a guide and should not be regarded as wholly accurate in every detail. We reserve the right to amend the specification of any product without notice.