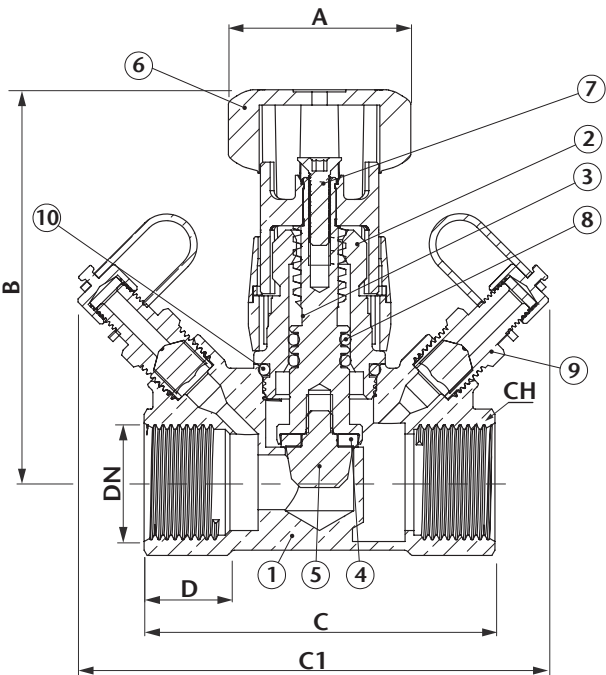
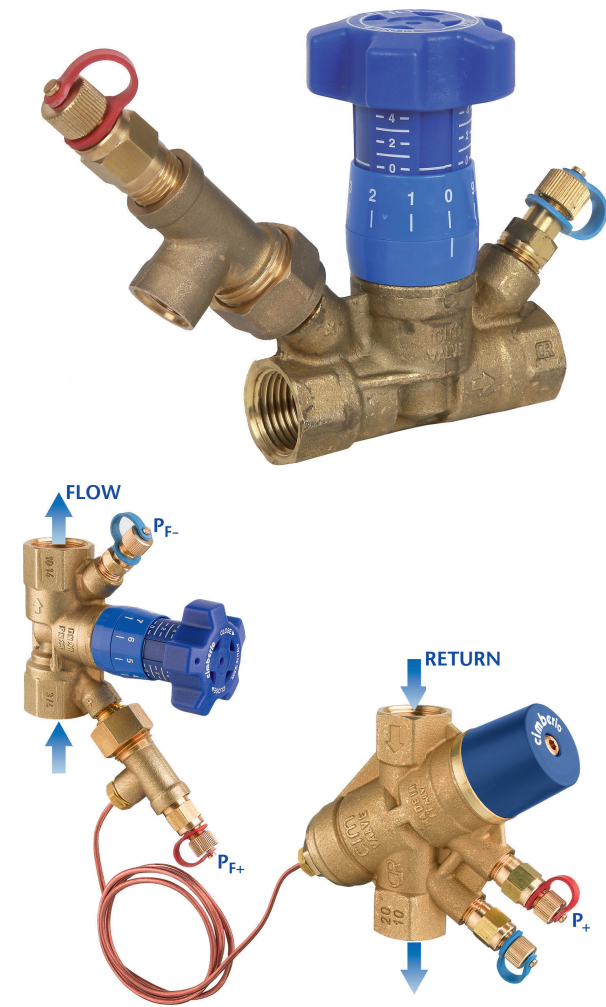


PN25 - DPCV Partner Valve

Features

- DZR Brass body (CW602N-M)
- Variable orifice double regulating valve
- Impulse tube connection point for ART 24 DPCV
- Supplied as shown with fitting & measuring nipples
- Handwheel shut-off function & clear 360° reading
- Allen key locking mechanism enabling valve to be closed & re-opened to it's exact pre-set position.

System ΔP is measured from PF- to P+
 System flow may be adjusted on ART 28DP whilst measuring ΔP from PF+ to PF-



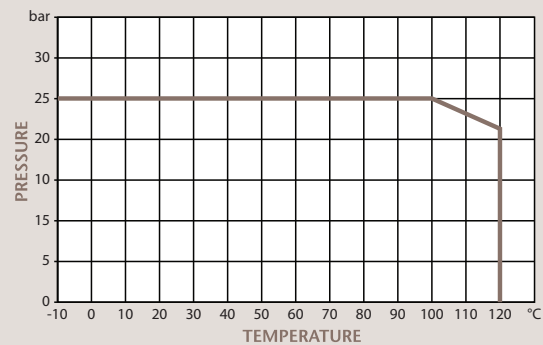
Technical Data

Max Pressure	25 Bar
Working Temperature	-10°C to +120°C

Dimensions in mm

This data sheet is designed as a guide and should not be regarded as wholly accurate in every detail. We reserve the right to amend the specification of any product without notice.

Pressure/Temperature



DN	15	20	25	32	40	50
A	50	50	50	50	50	50
B	87.5	89.5	91.5	99	99	100
C	77	80	87	108	115	124
C1	106	107	107	123	129	132
D	17	18.5	21	22.5	23	26.5
CH	25	31	38	48	55	66
Kgs	0.380	0.440	0.535	0.960	1.120	1.350
Thread	½" Rp	¾" Rp	1" Rp	1 ¼" Rp	1 ½" Rp	2" Rp
Kvs	1.75	2.87	4.08	6.71	10.4	15.06

N.	Part Name	Materials
1	Body	DZR Brass
2	Bonnet	DZR Brass
3	Stem	DZR Brass
4	Gasket	EPDM
5	Shutter	DZR Brass
6	Handwheel	Nylon 6
7	Screw	DZR Brass
8	O-Ring	EPDM
9	Binder Point	DZR Brass
10	O-Ring	EPDM