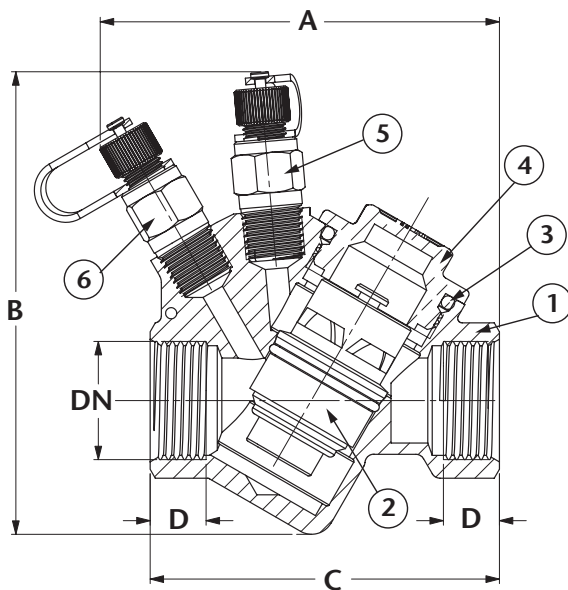


Threaded Automatic Flow Balancing Valves

Features

- DZR Brass body (CW602N-M)
- Wide cartridge selection available
- 0.007 l/s to 3.154 l/s
- Easy removable cartridges for inspection on cleaning
- System balancing is assured automatically even under fluctuating pressures
- Decrease in installation cost due to fewer valves required and no commissioning costs
- DZR Brass Body
- Threaded BSP Parallel
- Self cleaning cartridge design



DN	15	20	25	25L	32	40	50
A	89	89	93	125	125	125	130
B	103	103	103	141	141	141	141
C	78	78	85	123	123	123	132
D	11.5	12.5	14.5	14.5	16.8	16.8	21.1
Kgs	0.51	0.53	0.62	1.51	1.53	1.59	1.71

Note: 25L is 25 Large

This is a 32mm body and cartridge but the valve has a 1" BSP connection for increased flow rates.

Technical Data

Max Pressure	25 Bar
Working Temperature	-10°C to +120°C

N.	Part Name	Materials
1	Body	DZR Brass
2	Cartridge	DZR Brass
3	O-Ring	EPDM
4	Plug	DZR Brass
5	Blue Binder Point	DZR Brass
6	Red Binder Point	DZR Brass

Dimensions in mm

This data sheet is designed as a guide and should not be regarded as wholly accurate in every detail. We reserve the right to amend the specification of any product without notice.