

PN25 Brass Ball Valve

Features

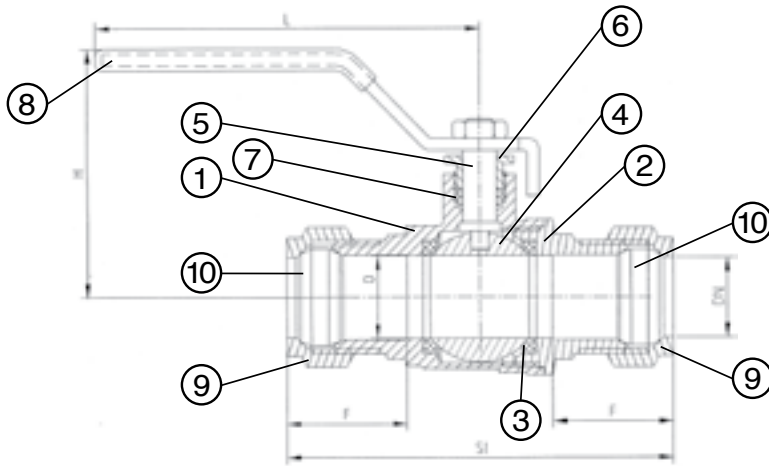
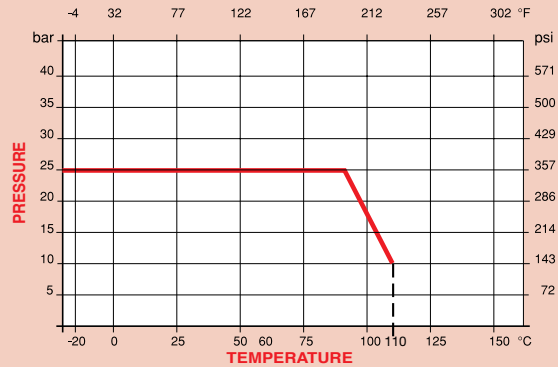
- Compression Ends
- PTFE seats & Seals
- Anti Blow Out Stem
- Full Bore



Technical Data

Max Pressure 25 bar
 Working Temperature -10°C to +110°C

Pressure / Temperature



N.	Part Name	Materials	Treatment
1	Body	Brass CW617N-UNI EN 12165/98	Nickel plated
2	Body End	Brass CW617N-UNI EN 12165/98	Nickel plated
3	Seat	PTFE	
4	Ball	Brass CW617N-UNI EN 12165/98	Nickel plated
5	Stem	Brass CW614N-UNI EN 12165/98	
6	Packing Nut	Brass CW614N-UNI EN 12165/98	
7	Packing	PTFE	
8	Handle	Steel	PVC Coated
9	Compression Nut	Brass	Zinc Plated
10	Olive	Brass	Zinc Plated

DN	15mm	22mm	28mm	35mm	42mm	54mm
∅	14.5	19	24.5	31.5	39.5	49.5
F	18.75	20.25	22	24	28	32
S1	70.5	80	91.5	109	123	150
H	52.5	54.5	69	78	86	100
L	83	93	124	133	133	158
Kgs	0.25	0.40	0.60	0.90	1.20	2.33

Dimensions in mm

This data sheet is designed as a guide and should not be regarded as wholly accurate in every detail. We reserve the right to amend the specification of any product without notice.