

URS

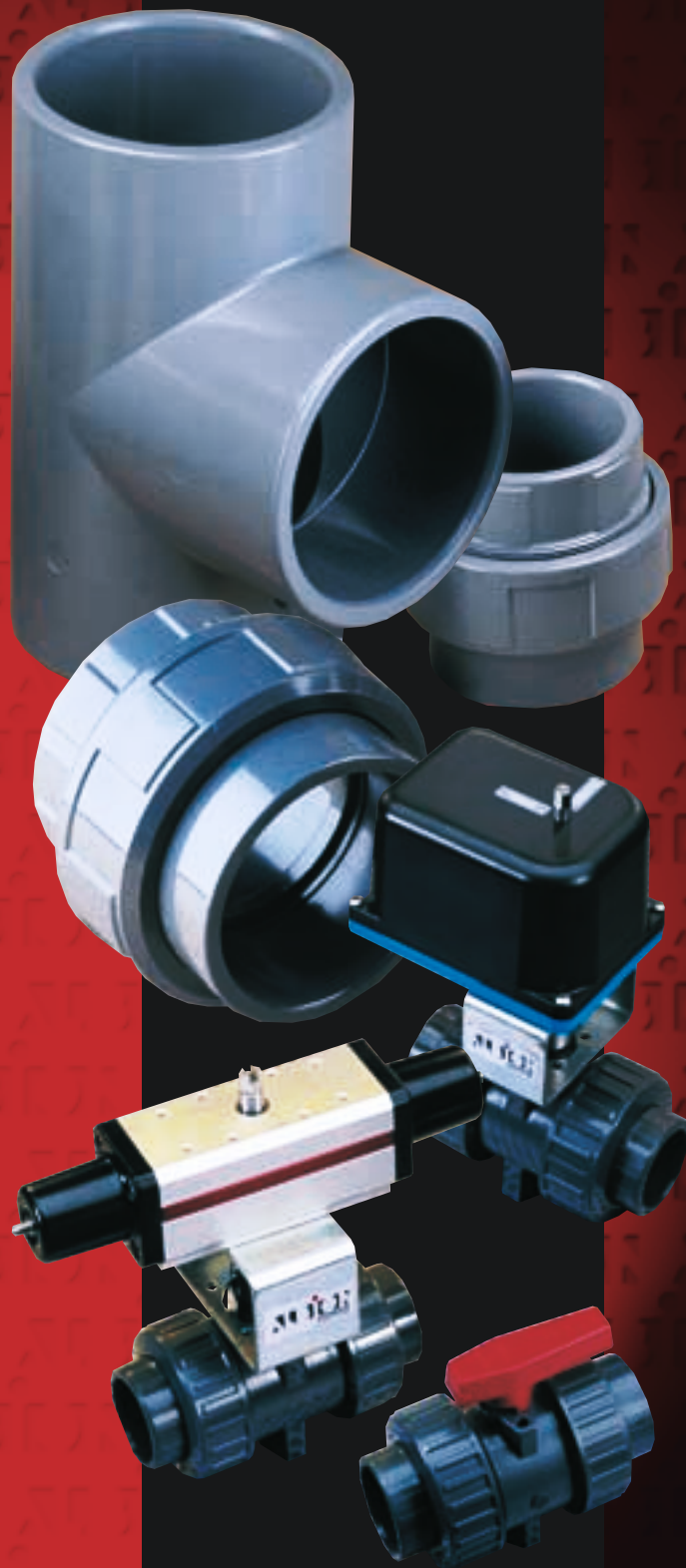


URS



ABS uPVC **Plastics**

PRICE LIST
JULY 2003



Albion Distribution Limited

uPVC PIPE SYSTEMS

uPVC (unplasticised poly vinyl chloride) is one of the most popular thermoplastic materials used for pipework installations. Light in weight, uPVC has excellent resistance to chemicals and abrasion, is tasteless and odourless making it ideal for use with potable water systems and most food products as its extremely smooth bore gives excellent flow characteristics.

uPVC is resistant to most solutions of acids, alkalis, salts and solvents which can be mixed with water. Connections can be made by either solvent cement or BSP threaded fittings. uPVC products are clearly identified by their dark grey colour.

ABS PIPE SYSTEMS

ABS (acrylonitrile butadiene styrene) is an extremely robust thermoplastic pipework system used by many industries in systems for food and beverage production, sewerage and water treatment etc. ABS is extremely resistant to impact with good resistance to chemicals, is non-toxic, conforming to the toxicological requirements of the British Plastic Federation, British Industrial Biological Research Association Code of Practice for Food Usage 45/5, and EEC requirements for plastic materials in contact with foodstuffs. These systems are light, strong and simple to fit using a solvent cement. ABS products are clearly identified by their light grey colour.

CHEMICAL RESISTANCE

uPVC

Has chemical resistance properties which are excellent, being resistant to most solutions of salts, acids, alkalis and water soluble solvents. These products are NOT resistant to aromatic or chlorinated hydrocarbons.

ABS

Has good resistance to a wide range of diluted inorganic acids, organic acids, salts, animal fats and oils but ABS is NOT resistant to organic solvents, alcohol, petrol, acetic acid or vegetable oils.

For information on specific chemical resistance for both uPVC and ABS please contact our sales department.

STANDARDS

Albion products are generally in accordance with the following standards.

uPVC Fittings BS4346 part 1

ABS Fittings BS5392 part 1

Threaded Fittings BS21, DIN2999, ISO7

uPVC Solvent Cement BS4346 part 3

Albion fittings and valves have WRAS approval for use on potable water certificate numbers 0209097, 0209098, 0209099, 0209100 refer.

QUALITY AND ENVIRONMENT

Albion Distribution Limited's commitment to quality is reflected by our operation of an independently assessed quality management system registered under BS EN ISO 9002:2000



We also operate an environmental management system that has been successfully assessed against the BS EN ISO 14001 environmental management standard.



IMPERIAL AND METRIC SIZES

We have prepared the following information to assist those who are not familiar with the method of describing metric and imperial sizes when specifying pipes and fittings.

Imperial pipe fittings and other components are specified by the nominal size of the pipe bore in inches and fractions of an inch.

Metric pipe fittings and other components are specified by reference to the outside diameter expressed in millimetres.

The following table gives a general guide for comparison between metric and imperial sizes up to 8 inches. It is essential to understand that metric and imperial are not usually interchangeable as the actual equivalents are slightly different.

However the following sizes coincide exactly:

2¹/₂ with 75mm*

5" with 140mm*

Nominal bore (inches)	Imperial Sizes		Metric Sizes
	Outside Diameter (mm)		Pipe Outside Diameter (mm)
3/8	17.1		16
1/2	21.3		20
3/4	26.7		25
1	33.4		32
1 ¹ / ₄	42.2		40
1 ¹ / ₂	48.3		50
2	60.3		63
2 ¹ / ₂	75*		75*
3	88.9		90
4	114.3		110
5	140*		140*
6	168.3		160
8	219.1		225

PRESSURE RATINGS FOR uPVC FITTINGS & VALVES

Unless otherwise indicated the pressure ratings are as follows

Product	Size Inches	Pressure Rating
Fittings Solvent Cement	1/2 - 6	15 bar
	8	9 bar
Fittings Threaded	3/8 - 4	10 bar
Ball Valves	3/8 - 2	16 bar
	2 1/2 - 4	10 bar
3 Way & Diaphragm Valves	3/8 - 2	10 bar
Wafer Check Valves	1 1/4 - 12	10 bar
Butterfly Valves	2 - 5	10 bar
	6 - 10	6 bar

PRESSURE RATINGS FOR ABS FITTINGS & VALVES

Product	Size Inches	Pressure Rating
Fittings Solvent Cement	1/2 - 4	15 bar
	6	12 bar
	2 1/2 & 8	9 bar
Ball Valves	3/8 - 2	15 bar
	2 1/2 - 4	9 bar

All pressure ratings are at 20°C

TEMPERATURE AND PRESSURE

The recommended working temperature range for uPVC pipework systems is from 0°C to 60°C. The recommended working temperature range for ABS pipework systems is from minus 40°C to 80°C. Pressure ratings of pipe and fittings are always quoted with, and subject to, a given temperature, normally 20°C. They can be used at higher temperatures but it is a fundamental principle of plastic pipework systems that if the temperature is increased then the pressure must be reduced. For temperatures above 20°C the recommended maximum pressure ratings are progressively reduced.

Although ABS pipe systems are suitable for use at temperatures as low as minus 40°C, it is necessary, as with any other pipeline materials, to take precautions to prevent the line fluid freezing and causing consequent damage to the pipework system.

THERMAL EXPANSION

The thermal coefficient of linear expansion for uPVC is

$$7.0 \times 10^{-5}/^{\circ}\text{C}$$

The thermal coefficient of linear expansion for ABS is

$$10.1 \times 10^{-5}/^{\circ}\text{C}$$

It is necessary in certain situations to make special provision for this expansion and contraction.

Valves, heavy flanges and any ancillary equipment should be independently supported. They can also be used as anchor points to control expansion.

SOLVENT CEMENTS

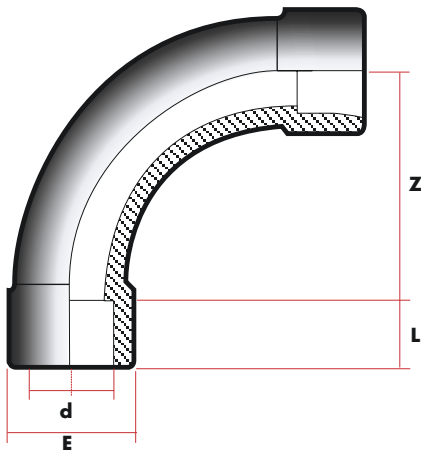
Albion solvent cements are specially formulated for use with Albion Plastic Products. The correct solvent cement, which creates a bond between pipe and fitting, must be used for solvent welding. uPVC and ABS systems use different cements so no attempt should be made to solvent weld ABS fittings with uPVC cement or uPVC fittings with ABS cement.

An indication of the number of joints likely to be made per litre of Albion solvent cement is:

SIZE	uPVC	ABS
1/2 - 1	300	400
1 1/4 - 2	120	175
3	50	70
4	30	45
6	15	25
8	8	15
10	3	4
12	3	4

Albion solvent cements are available in 1/2 litre tins, instructions for recommended solvent welding procedures are printed on each tin. These instructions should be carefully followed.

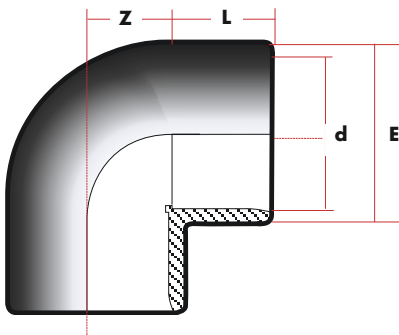
90° S/R Bends



BE33

d	L	Z	E	Gr. ABS	Gr. PVC	Price ABS	Price PVC
1/2"	16	40	28	30	38	£5.45	£4.95
3/4"	19	50	34	45	59	£5.75	£5.30
1"	22	64	42	90	118	£7.60	£7.40
1 1/4"	26	80	51	138	180	£10.90	£10.50
1 1/2"	31	100	63	245	320	£14.00	£13.00
2"	38	126	77	410	535	£18.40	£17.10
2 1/2"	44	150	92	780	1015	£39.20	£36.50
3"	51	180	108	1220	1590	£50.25	£45.90
4"	61	220	132	2030	2640	£78.90	£74.80

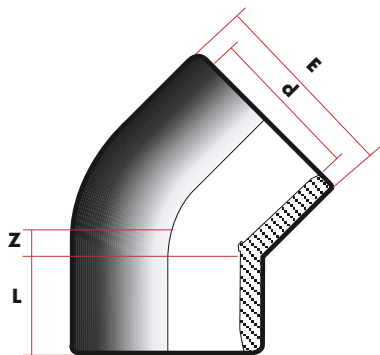
90° Elbows



EL53

d	L	Z	E	Gr. ABS	Gr. PVC	Price ABS	Price PVC
1/2"	16	11	26.5	11	15	£1.25	£1.20
3/4"	19	14	32.5	18	24	£1.50	£1.45
1"	22	17	41	32	42	£2.10	£2.00
1 1/4"	26	23	50	54	72	£3.50	£3.45
1 1/2"	31	28	60	112	150	£4.60	£4.45
2"	38	34	75	214	285	£6.95	£6.65
2 1/2"	44	40	89	285	380	£13.35	£12.50
3"	51	48	106	492	655	£20.10	£19.10
4"	61	58	129	812	1080	£29.90	£28.70
5"	76	72	168	1500	1990	£68.95	£65.50
6"	86	81	188	3000	3990	£120.20	£113.50
8"	119	115	258	6465	8600	£192.20	£186.80

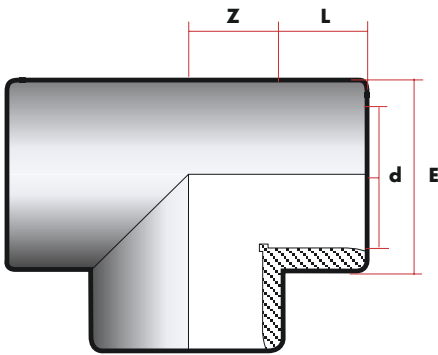
45° Elbows



EY53

d	L	Z	E	Gr. ABS	Gr. PVC	Price ABS	Price PVC
1/2"	16	5.5	28	11	15	£2.40	£2.25
3/4"	19	6	34	19	25	£2.45	£2.40
1"	22	8	42	31	41	£3.05	£2.90
1 1/4"	26	10	51	44	59	£4.45	£4.20
1 1/2"	31	12	61	94	125	£5.55	£5.25
2"	38	15	75	161	215	£7.70	£7.40
2 1/2"	44	18	89	233	310	£12.10	£11.60
3"	51	21	106	376	500	£18.09	£17.40
4"	61	25	132	690	920	£37.50	£35.70
5"	76	32	164	1230	1640	£63.70	£60.40
6"	86	36	192	1616	2150	£77.80	£73.70
8"	119	49	258	4600	6800	£175.30	£168.60

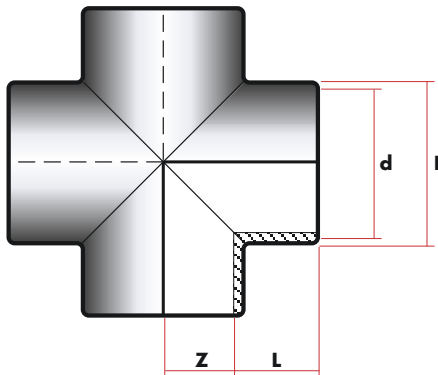
Equal Tees



TE43

d	L	Z	E	Gr. ABS	Gr. PVC	Price ABS	Price PVC
1/2"	16	11	27.5	16	21	£1.45	£1.40
3/4"	19	14	33.5	26	35	£2.00	£1.75
1"	22	17	42	47	63	£2.75	£2.60
1 1/4"	26	21	51	76	101	£3.95	£3.70
1 1/2"	31	26	61	153	204	£5.80	£5.35
2"	38	33	75	274	365	£8.80	£8.50
2 1/2"	44	39	89	372	495	£15.25	£14.50
3"	51	47	106	630	837	£25.70	£24.55
4"	61	57	129	1083	1440	£37.80	£36.00
5"	76	71	162.5	1917	2550	£100.25	£95.20
6"	86	81	188	3720	4950	£131.80	£125.20
8"	119	114	258	8350	11100	£215.40	£205.60

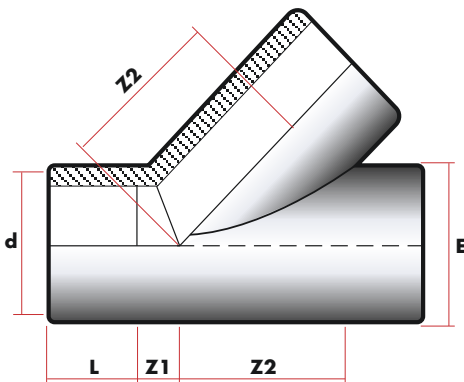
Crosses



CR33

d	L	Z	E	Gr. ABS	Gr. PVC	Price ABS	Price PVC
1/2"	16	11	27.5	20	26	£5.40	£4.85
3/4"	19	14	33.5	32	41	£5.75	£5.25
1"	22	17	42	56	72	£6.95	£6.30
1 1/4"	26	21	51	88	114	£9.80	£8.90
1 1/2"	31	26	61	180	233	£12.20	£11.10
2"	38	33	75	318	411	£16.70	£15.20
2 1/2"	45	43	91	-	720	-	£72.60

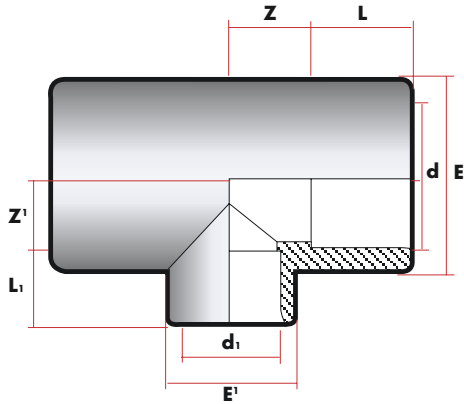
45° Tees



TY43

d	L	Z1	Z2	E	Gr. ABS	Gr. PVC	Price ABS	Price PVC
1/2"	16	7	29	27.5	28	36	£6.40	£6.00
3/4"	19	7	36	33.5	38	49	£6.70	£6.40
1"	22	8	44	42	71	92	£7.70	£7.20
1 1/4"	26	10	54	50.5	115	149	£9.30	£8.80
1 1/2"	31	12	65	61	230	297	£11.60	£11.10
2"	38	14	80	74.5	397	513	£17.90	£17.20
2 1/2"	45	18	95	93	-	975	-	£42.20

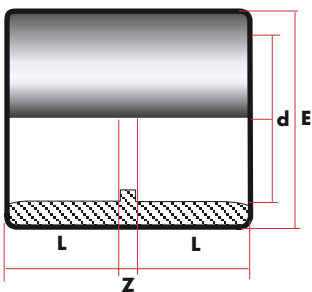
Reducing Tees



TR43

dxd1	L	L1	Z	Z1	E	E1	Gr. ABS	Gr. PVC	Price ABS	Price PVC
3/4" x 1/2"	19	16	14	14	33.5	28	32	42	£2.05	£1.90
1" x 1/2"	22	16	17	17	42	28	52	69	£2.90	£2.70
1" x 3/4"	22	19	17	17	42	34	53	70	£2.90	£2.70
1 1/4" x 1/2"	26	16	21	21	51	38	84	112	£3.95	£3.75
1 1/4" x 3/4"	26	19	21	21	51	34	86	115	£3.95	£3.75
1 1/4" x 1"	26	22	21	21	51	42	89	118	£3.95	£3.75
1 1/2" x 1/2"	31	16	26	26	61	28	116	155	£5.90	£5.45
1 1/2" x 3/4"	31	19	26	26	61	34	125	166	£5.90	£5.45
1 1/2" x 1"	31	22	26	26	61	42	128	170	£5.90	£5.45
1 1/2" x 1 1/4"	31	26	26	26	61	51	134	178	£5.90	£5.45
2" x 1/2"	38	16	33	33	75	28	202	268	£8.90	£8.60
2" x 3/4"	38	19	33	33	75	34	203	270	£8.90	£8.60
2" x 1"	38	22	33	33	75	42	207	275	£8.90	£8.60
2" x 1 1/4"	38	26	33	33	75	51	216	288	£8.90	£8.60
2" x 1 1/2"	38	31	33	33	75	61	225	300	£8.90	£8.60
2 1/2" x 1"	44	22	39	39	89	42	348	463	£15.50	£14.80
2 1/2" x 1 1/4"	44	26	39	39	89	51	350	465	£15.50	£14.80
2 1/2" x 1 1/2"	44	31	39	39	89	61	350	465	£15.50	£14.80
2 1/2" x 2"	44	38	39	39	89	75	359	478	£15.50	£14.80
3" x 1 1/4"	51	26	47	47	106	51	528	702	£27.30	£25.05
3" x 1 1/2"	51	31	47	47	106	61	556	740	£27.30	£25.05
3" x 2"	51	38	47	47	106	75	556	740	£27.30	£25.05
3" x 2 1/2"	51	44	47	47	106	89	571	760	£27.30	£25.05
4" x 1 1/2"	61	31	57	57	129	61	940	1250	£39.05	£37.35
4" x 2"	61	38	57	57	129	75	902	1200	£39.05	£37.35
4" x 2 1/2"	61	44	57	57	129	89	917	1220	£39.05	£37.35
4" x 3"	61	51	57	57	129	106	940	1250	£39.05	£37.35

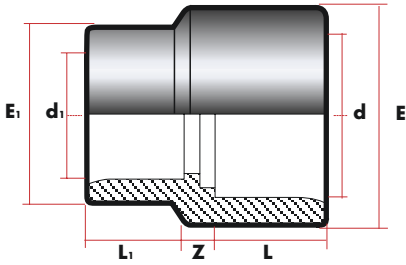
Sockets



SO13

d	L	Z	E	Gr. ABS	Gr. PVC	Price ABS	Price PVC
1/2"	16	3	28	10	13	£0.95	£0.90
3/4"	19	3	34	15	20	£1.05	£1.00
1"	22	3	42	25	33	£1.20	£1.15
1 1/4"	26	3	51	42	56	£2.10	£2.05
1 1/2"	31	3	61	67	89	£2.50	£2.45
2"	38	3	75	126	168	£3.60	£3.50
2 1/2"	44	4	88	167	222	£7.70	£7.30
3"	51	5	106	279	372	£14.15	£13.20
4"	61	6	129	466	620	£20.15	£19.20
5"	76	8	161	827	1100	£39.30	£37.75
6"	86	8	181	1247	1658	£50.25	£48.10
8"	119	11	258	3160	4200	£105.00	£100.20

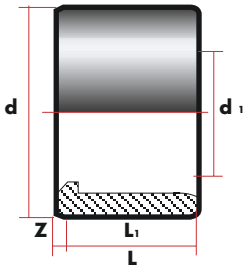
Reducing Sockets



RS13

dxd1	L	L1	Z	E	E1	Gr. ABS	Gr. PVC	Price ABS	Price PVC
1/2" x 3/8"	16	14	6	28	23	11	15	£1.35	£1.25
3/4" x 1/2"	19	16	6	34	28	32	25	£1.45	£1.35
1" x 3/4"	22	19	6	42	33	53	35	£1.90	£1.80
1 1/4" x 1"	26	22	6	51	41	89	58	£2.70	£2.55
1 1/2" x 1 1/4"	31	26	6	61	50	134	80	£2.95	£2.85
2" x 1 1/2"	38	31	6	75	60.5	225	120	£4.60	£4.30
2 1/2" x 2"	44	38	6	89	75	359	210	£12.85	£11.70
3" x 2 1/2"	51	44	6	106	88	571	300	£14.40	£13.20
4" x 3"	61	51	6	129	106	940	510	£21.20	£19.25

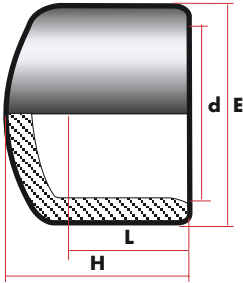
Reducing Bushes



RB93

dxd1	L	L1	Z	Gr. ABS	Gr. PVC	Price ABS	Price PVC
3/4" x 1/2"	19	16	3	4	6	£0.95	£0.90
1" x 1/2"	22	16	6	12	16	£1.20	£1.15
1" x 3/4"	22	19	3	8	10	£1.20	£1.15
1 1/4" x 1/2"	26	16	10	23	30	£1.60	£1.55
1 1/4" x 3/4"	26	19	7	22	29	£1.60	£1.55
1 1/4" x 1"	26	22	4	15	20	£1.60	£1.55
1 1/2" x 3/4"	31	19	12	29	39	£2.10	£1.85
1 1/2" x 1"	31	22	9	32	42	£2.10	£1.85
1 1/2" x 1 1/4"	31	26	5	17	22	£2.10	£1.85
2" x 1"	38	22	16	52	69	£2.75	£2.65
2" x 1 1/4"	38	26	12	53	71	£2.75	£2.65
2" x 1 1/2"	38	31	7	41	54	£2.75	£2.65
2 1/2" x 1 1/2"	44	31	13	89	117	£4.90	£4.60
2 1/2" x 2"	44	38	6	72	95	£4.90	£4.60
3" x 1 1/2"	51	31	20	159	211	£7.70	£7.40
3" x 2"	51	38	13	137	182	£7.70	£7.40
3" x 2 1/2"	51	44	7	116	154	£8.40	£8.00
4" x 2"	61	38	23	319	424	£10.60	£10.10
4" x 2 1/2"	61	44	17	266	347	£10.60	£10.10
4" x 3"	61	51	10	246	327	£10.60	£10.10
5" x 3"	76	51	25	455	600	£30.60	£29.20
5" x 4"	76	61	15	410	533	£30.60	£29.20
6" x 4"	86	61	25	683	908	£32.70	£31.45
8" x 6"	119	86	33	1540	2050	£70.50	£67.30

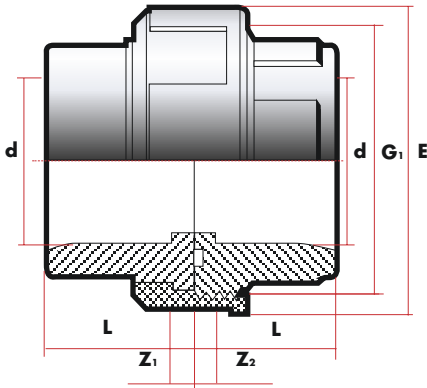
Caps



d	L	H	E	Gr. ABS	Gr. PVC	Price ABS	Price PVC
1/2"	16	27	28	8	10	£1.00	£0.90
3/4"	19	31	33	12	16	£1.10	£1.00
1"	22	36	41	20	26	£1.30	£1.20
1 1/4"	26	43	50	30	40	£2.00	£1.75
1 1/2"	31	49	60.5	55	73	£3.10	£2.95
2"	38	57	75	96	128	£3.90	£3.65
2 1/2"	44	67	89	133	178	£9.90	£8.70
3"	51	80	106	228	304	£11.65	£11.10
4"	61	95	129	390	520	£17.80	£17.00
5"	76	114	161	692	920	£32.90	£29.70
6"	86	126	181	990	1317	£47.50	£41.25
8"	119	145	258	2615	3478	£97.40	£84.50

CA73

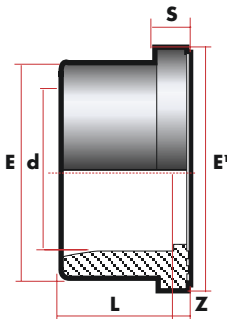
Socket Unions



d	L	Z1	Z2	G1	E	Gr. ABS	Gr. PVC	Price ABS	Price PVC
1/2"	16	3	10	1"	42	31	41	£5.00	£4.60
3/4"	19	3	10	1 1/4"	52	50	67	£5.40	£5.25
1"	22	3	10	1 1/2"	59	68	90	£7.25	£6.80
1 1/4"	26	3	12	2"	72	102	135	£8.80	£8.45
1 1/2"	31	3	14	2 1/4"	79	155	206	£12.20	£11.60
2"	38	3	18	2 3/4"	96	270	360	£15.85	£15.00
2 1/2"	44	3	18	3 1/2"	119	436	580	£39.50	£38.50
3"	51	5	18	4"	134	584	777	£58.80	£55.90
4"	61	5	18	5"	163	865	1150	£79.10	£75.60

UN83

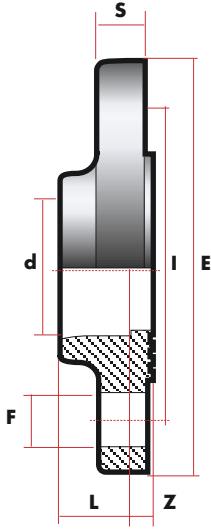
Stub Flanges



d	L	Z	S	E	E1	Gr. ABS	Gr. PVC	Price ABS	Price PVC
1/2"	16	3	6	27	34	8	10	£1.30	£1.15
3/4"	19	3	7	33	41	11	14	£1.35	£1.30
1"	22	3	7	41	50	17	23	£1.45	£1.40
1 1/4"	26	3	8	50	61	36	48	£2.30	£2.20
1 1/2"	31	3	8	61	73	51	68	£3.80	£3.60
2"	38	3	9	76	90	96	128	£5.85	£5.40
2 1/2"	44	3	10	90	106	120	160	£9.20	£8.75
3"	51	5	11	108	125	204	272	£11.30	£10.80
4"	61	5	12	131	150	271	361	£14.70	£14.10
5"	76	5	14	165	188	564	750	£33.60	£32.00
6"	86	5	16	194	220	1008	1340	£38.00	£36.45
8"	119	7	19	248	274	1573	2092	£79.55	£75.70

ST23

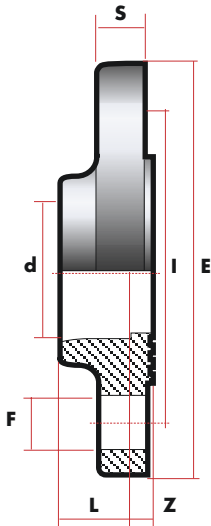
Full Faced Flanges PN16



d	L	Z	E	I	f	Holes	Gr. ABS	Gr. PVC	Price ABS	Price PVC
1/2"	16	4.5	95	65	14	4	53	70	£5.50	£5.20
3/4"	19	4.5	105	75	14	4	78	105	£5.80	£5.30
1"	22	4.5	115	85	14	4	110	148	£7.60	£6.85
1 1/4"	26	4.5	142	100	18	4	170	225	£9.95	£9.00
1 1/2"	31	4.5	152	110	18	4	214	285	£11.60	£10.60
2"	38	4.5	165	125	18	4	315	420	£15.05	£13.65
2 1/2"	44	6	185	145	18	4	380	505	£19.00	£17.90
3"	51	7	200	160	18	8	550	735	£22.00	£20.00
4"	61	8	220	180	18	8	700	930	£28.55	£26.85

FF33

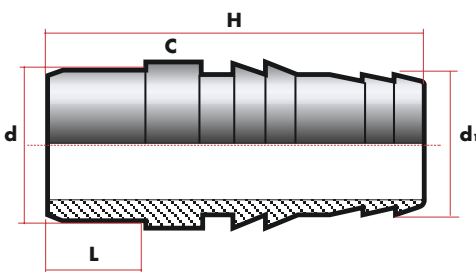
Full Faced Flanges Table E



d	L	Z	E	I	f	Holes	Gr. ABS	Gr. PVC	Price ABS	Price PVC
1/2"	16	4.5	95	65	14	4	53	70	£5.50	£5.20
3/4"	19	4.5	105	75	14	4	78	105	£5.80	£5.30
1"	22	4.5	115	85	14	4	110	148	£7.60	£6.85
1 1/4"	26	4.5	142	88	14	4	170	225	£9.95	£9.00
1 1/2"	31	4.5	152	98	18	4	214	285	£11.60	£10.60
2"	38	4.5	165	115	18	4	315	420	£15.05	£13.65
2 1/2"	44	6	185	127	18	4	380	505	£19.00	£17.90
3"	51	7	200	146	18	4	550	735	£22.00	£20.00
4"	61	8	220	180	18	8	700	930	£28.55	£26.85

FF30

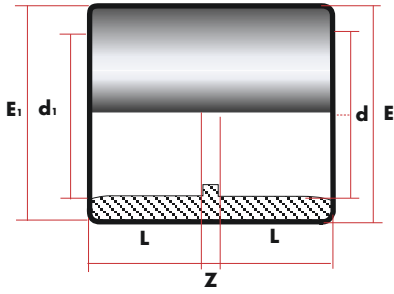
Hose Adaptors



d	d1	L	H	C	Gr. ABS	Gr. PVC	Price ABS	Price PVC
3/8"	16	14	66	19	11	15	£1.75	£1.55
1/2"	20	16	70	24	17	23	£2.30	£2.15
3/4"	25	19	79	27	22	30	£2.70	£2.35
1"	32	22	83	36	37	50	£2.90	£2.70
1 1/4"	40	26	96	46	55	73	£3.60	£3.30
1 1/2"	50	31	108	55	103	137	£5.30	£4.80
2"	60	38	130	65	156	208	£8.60	£7.95

HN63

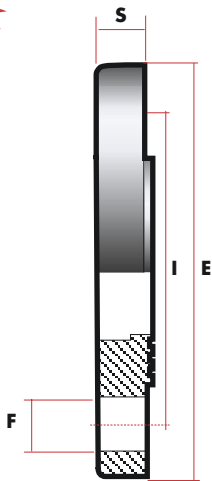
Socket



dxd1	L1	L2	Z	E	E1	Gr. ABS	Gr. PVC	Price ABS	Price PVC
20mm x 1/2"	16	16	3	28	28	11	15	£1.25	£1.20
25mm x 3/4"	19	19	3	33	33	17	23	£1.30	£1.25
32mm x 1"	22	22	3	41	41	27	36	£1.55	£1.50
40mm x 1 1/4"	26	26	3	50	50	45	60	£2.30	£2.25
50mm x 1 1/2"	31	31	3	60.5	60.5	64	85	£3.40	£3.30
63mm x 2"	38	38	3	75	75	109	145	£7.70	£7.50
90mm x 3"	51	51	5	106	106	265	353	£14.05	£13.50
110mm x 4"	61	61	6	129	129	455	605	£26.00	£24.60

SO 14

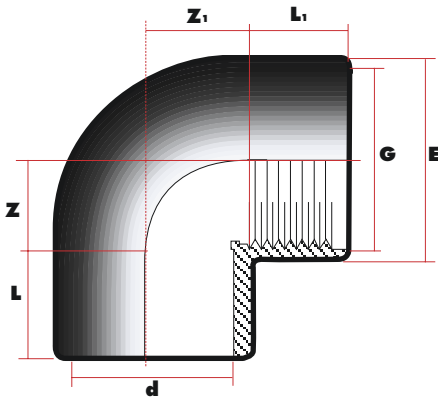
Blank Flanges PN16



DN	E	S	I	F	Gr PVC	Price PVC
1/2"	95	11	65	14	76	£11.00
3/4"	105	12	75	14	104	£12.50
1"	115	14	85	14	140	£12.90
1 1/4"	142	15	100	18	220	£13.80
1 1/2"	152	16	110	18	280	£15.00
2"	165	18	125	18	370	£16.80
2 1/2"	185	19	145	18	495	£22.10
3"	200	20	160	18	655	£28.70
4"	220	22	180	18	850	£38.35
5"	250	26	210	18	1165	£53.10
6"	285	28	240	22	1610	£67.90

BF 00

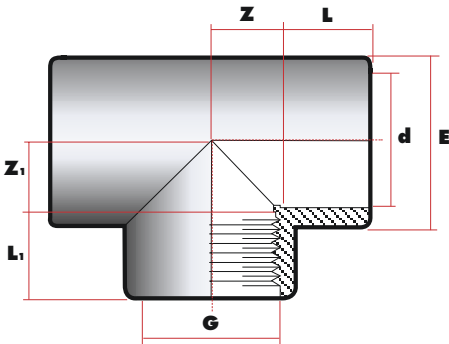
90° Elbows



dxG	L	L1	Z	Z1	E	Gr. ABS	Gr. PVC	Price ABS	Price PVC
1/2" x 1/2"	16	15	11	12	26.5	11	15	£3.20	£2.90
3/4" x 3/4"	19	16.3	14	16.7	32.5	20	27	£3.40	£3.35
1" x 1"	22	19.1	17	19.9	41	36	48	£4.40	£4.15
1 1/4" x 1 1/4"	26	21.4	23	25.6	50	54	72	£9.05	£8.60
1 1/2" x 1 1/2"	31	21.4	28	35.6	60	122	162	£10.10	£9.50
2" x 2"	38	25.7	34	45.3	75	233	310	£14.30	£13.45
2 1/2" x 2 1/2"	44	30.2	40	52.8	89	308	410	£23.90	£22.40
3" x 3"	51	33.3	48	64.7	106	538	715	£35.40	£33.60
4" x 4"	61	39.3	58	78.7	129	810	1078	£53.55	£44.85

EL32

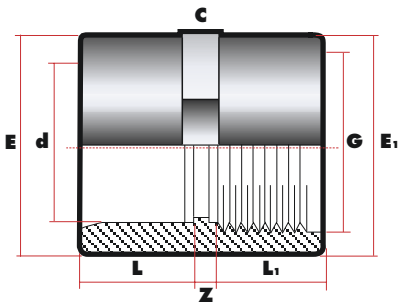
90° Tees



dxG	L	L1	Z	Z1	E	Gr. ABS	Gr. PVC	Price ABS	Price PVC
1/2" x 1/2"	16	15	11	12	27.5	19	25	£3.30	£3.05
3/4" x 3/4"	19	16.3	14	16.7	33.5	29	38	£3.75	£3.50
1" x 1"	22	19.1	17	19.9	42	52	69	£4.60	£4.30
1 1/4" x 1 1/4"	26	21.4	23	25.6	51	80	106	£9.50	£9.10
1 1/2" x 1 1/2"	31	21.4	28	35.6	61	160	213	£10.50	£10.00
2" x 2"	38	25.7	34	45.3	75	286	380	£14.85	£14.10
2 1/2" x 2 1/2"	44	30.2	40	52.8	89	380	505	£25.15	£22.70
3" x 3"	51	33.3	48	64.7	106	663	882	£37.65	£34.20
4" x 4"	61	39.3	58	78.7	129	1094	1455	£62.10	£56.10

TE32

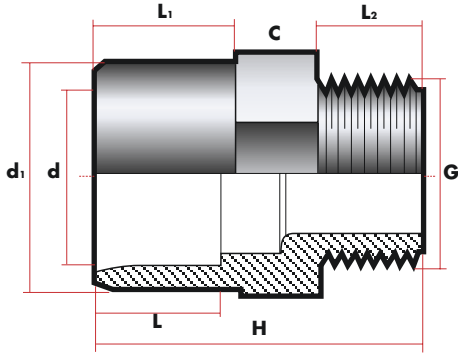
Sockets



dxG	L	L1	Z	E	E1	C	Gr. ABS	Gr. PVC	Price ABS	Price PVC
1/2" x 1/2"	16	15	4	28	28	30	11	15	£2.60	£2.50
3/4" x 3/4"	19	16.3	4	34	34	34	16	22	£2.90	£2.75
1" x 1"	22	19.1	5	42	42	42	24	33	£3.50	£3.45
1 1/4" x 1 1/4"	26	21.4	5	50.5	50.5	55	47	63	£5.55	£5.35
1 1/2" x 1 1/2"	31	21.4	5	61	57.5	65	75	100	£6.50	£6.20
2" x 2"	38	25.7	5	75	71.5	75	118	158	£8.60	£8.05
2 1/2" x 2 1/2"	44	30.2	5	89	88.5	90	161	215	£22.50	£20.00
3" x 3"	51	33.3	8	106	106	110	261	347	£23.40	£22.75
4" x 4"	61	39.3	8	129	129	129	382	508	£34.90	£31.25

SO32

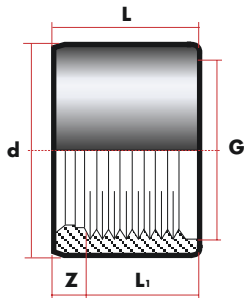
Male Threaded Adaptors



AD32

d-d1xG	L	L1	L2	H	C	Gr. ABS	Gr. PVC	Price ABS	Price PVC
3/8"-1/2" x 3/8"	14	16	11.4	40	24	9	11	£1.20	£1.10
3/8"-1/2" x 1/2"	14	16	15	43	24	9	11	£1.60	£1.50
1/2"-3/4" x 1/2"	16	19	15	46	27	11	15	£1.60	£1.50
1/2"-3/4" x 3/4"	16	19	16.3	47	30	12	16	£1.70	£1.60
3/4"-1" x 3/4"	19	22	16.3	50	36	20	27	£1.70	£1.60
3/4"-1" x 1"	19	22	19.1	53	36	22	29	£2.65	£2.50
1"-1 1/4" x 1"	22	26	19.1	57	42	32	43	£2.65	£2.50
1"-1 1/4" x 1 1/4"	22	26	21.4	60	46	39	52	£3.70	£3.50
1 1/4"-1 1/2" x 1 1/4"	26	31	21.4	66.5	55	46	61	£3.70	£3.50
1 1/4"-1 1/2" x 1 1/2"	26	31	21.4	66.5	55	48	64	£4.95	£4.75
1 1/2"-2" x 1 1/2"	31	38	21.4	74	65	83	110	£4.95	£4.75
1 1/2"-2" x 2"	31	38	25.7	78	65	93	124	£7.00	£6.50
2"-2 1/2" x 2"	38	44	25.7	84	75	114	152	£7.00	£6.50
2"-2 1/2" x 2 1/2"	38	44	30.2	91	80	135	180	£16.95	£14.85
2 1/2"-3" x 2 1/2"	44	51	30.2	99	95	195	260	£16.95	£14.85
2 1/2"-3" x 3"	44	51	33.3	102	95	206	275	£21.80	£20.30
3"-4" x 3"	51	61	33.3	110	115	434	578	£21.80	£20.30
3"-4" x 4"	51	61	39.3	118	115	438	584	£31.35	£28.50
4"-5" x 4"	61	69	39.3	120	130	320	426	£31.35	£28.50

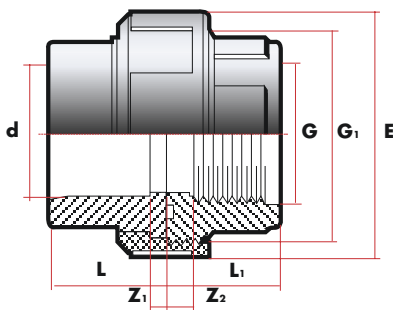
Reducing Bushes



RB30

dxG	L	L1	Z	Gr. ABS	Gr. PVC	Price ABS	Price PVC
1/2" x 3/8"	16	11.4	3	4	5	£1.85	£1.70
3/4" x 1/2"	19	15	4	6	8	£2.15	£2.05
1" x 3/4"	22	16.3	5.7	9	12	£2.90	£2.75
1 1/4" x 1"	26	19.1	6.9	16	22	£4.70	£4.35
1 1/2" x 1 1/4"	31	21.4	9.6	34	45	£4.85	£4.70
2" x 1 1/2"	38	21.4	16.6	51	68	£6.40	£6.25
2 1/2" x 2"	44	25.7	18.3	72	96	£11.55	£10.60
3" x 2 1/2"	51	30.2	20.8	114	152	£18.70	£17.15
4" x 3"	61	33.3	27.7	212	282	£26.60	£24.30

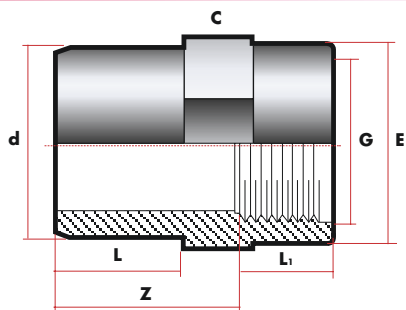
Socket Unions



UN72

dxG	L	L1	Z1	Z2	G1	E	Gr. ABS	Gr. PVC	Price ABS	Price PVC
1/2" x 1 1/2"	16	15	3	11	1"	42	31	41	£7.30	£6.65
3/4" x 3/4"	19	16.3	3	12.7	1 1/4"	52	51	68	£8.00	£7.30
1" x 1"	22	19.1	3	12.9	1 1/2"	59	70	93	£10.00	£9.15
1 1/4" x 1 1/4"	26	21.4	3	16.6	2"	72	109	145	£12.15	£11.10
1 1/2" x 1 1/2"	31	21.4	3	23.6	2 1/4"	79	176	234	£15.95	£14.60
2" x 2"	38	25.7	3	30.3	2 3/4"	96	293	390	£22.60	£20.30

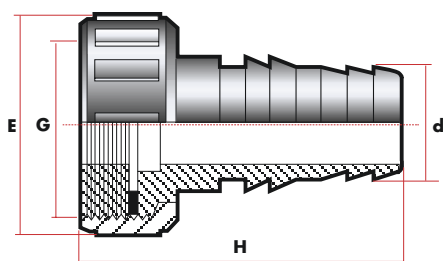
Female Threaded Adaptors



AD42

dxG	L	L1	E	Z	C	Gr. ABS	Gr. PVC	Price ABS	Price PVC
1/2" x 1/2"	16	15	28	24	30	12	16	£2.85	£2.65
3/4" x 3/4"	19	16.3	34	27	36	16	22	£3.20	£2.95
1" x 1"	22	19.1	42	30	46	31	42	£3.95	£3.55
1 1/4" x 1 1/4"	26	21.4	51	36	55	50	67	£4.75	£3.85
1 1/2" x 1 1/2"	31	21.4	58	41	60	54	72	£5.70	£5.05
2" x 2"	38	25.7	75	48	75	92	123	£9.95	£8.80
2 1/2" x 2 1/2"	44	30.2	89	58	90	169	225	£20.60	£18.95
3" x 3"	51	33.3	103	65	95	217	290	£25.70	£23.45
4" x 4"	61	39.3	130	76	130	395	526	£40.70	£37.00

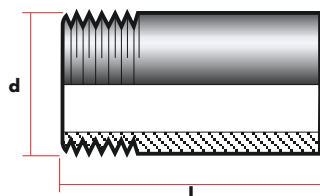
Hose Adaptors



HN64

G	d	H	E	Gr. ABS	Gr. PVC	Price ABS	Price PVC
3/4"	16	54	34	17	23	£6.20	£5.75
1"	20	59	42	24	32	£6.75	£5.80
1 1/4"	25	63	52	37	49	£8.15	£7.45
1 1/2"	30	68	59	51	68	£11.30	£10.05
2"	40	77	72	83	110	£15.35	£14.10
2 1/2"	50	80	79	109	145	£20.70	£19.20

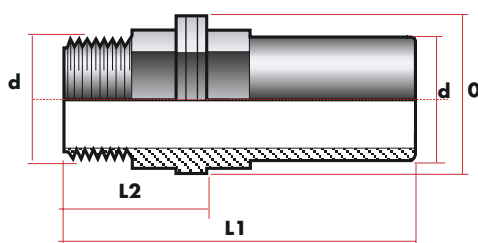
Barrel Nipples



BN12

d	L	Gr. ABS	Gr. PVC	Price ABS	Price PVC
3/8"	43	11	12	£1.80	£1.65
1/2"	50	13	14	£1.90	£1.80
3/4"	56	20	25	£2.30	£2.20
1"	63	30	38	£3.10	£2.95
1 1/4"	75	51	52	£4.10	£3.90
1 1/2"	88	83	80	£4.40	£4.15
2"	88	119	115	£5.75	£5.55
2 1/2"	106	205	197	£13.50	£12.85
3"	128	308	300	£15.20	£14.35
4"	153	485	560	£29.30	£29.10

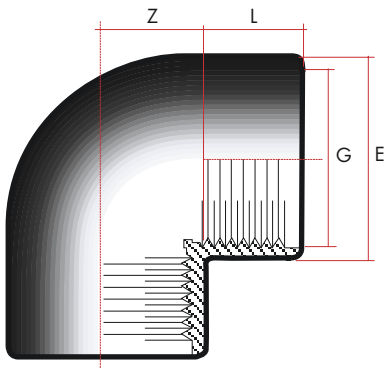
Tank Connectors



TC93

d	L	L1	O	Gr. ABS	Gr. PVC	Price ABS	Price PVC
1/2"	76	42	28	30	40	£5.55	£5.55
3/4"	76	42	33	40	54	£6.45	£6.45
1"	101	55	46	83	110	£15.30	£15.30
1 1/4"	120	70	50	135	170	£29.80	£29.80
1 1/2"	127	73	60	174	230	£34.65	£34.65
2"	152	80	80	295	395	£38.85	£38.85
2 1/2"	165	90	90	385	510	£60.69	£60.69
3"	202	112	112	578	770	£65.70	£65.70
4"	230	130	135	1150	1510	£70.65	£70.65

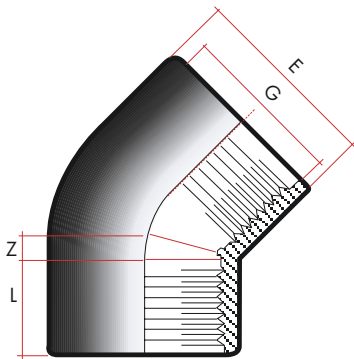
90° Elbows



EL51

G	L	Z	E	Gr. ABS	Gr. PVC	Price ABS	Price PVC
3/8"	11.4	11.6	23.5	11	15	£3.25	£3.00
1/2"	15.0	12.0	26.5	16	22	£3.35	£3.15
3/4"	16.3	16.7	32.5	28	37	£3.40	£3.35
1"	19.1	19.9	41	45	60	£4.40	£4.15
1 1/4"	21.4	27.6	50	71	95	£7.90	£7.35
1 1/2"	21.4	37.6	60	135	180	£8.80	£8.60
2"	25.7	46.3	75	255	340	£13.35	£12.75
2 1/2"	30.2	53.8	89	328	436	£24.30	£21.95
3"	33.3	65.7	106	579	770	£36.60	£33.20
4"	39.3	79.7	129	767	1020	£52.30	£47.50

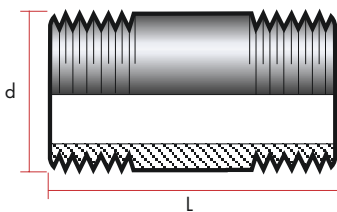
45° Elbows



EY51

G	L	Z	E	Gr. ABS	Gr. PVC	Price ABS	Price PVC
3/8"	11.4	8.1	23.5	8	10	£4.00	£3.80
1/2"	15.0	6.5	28	13	18	£4.10	£3.85
3/4"	16.3	8.7	34	22	30	£4.55	£4.15
1"	19.1	10.9	42	37	50	£5.55	£5.10
1 1/4"	21.4	14.6	51	60	80	£7.65	£7.00
1 1/2"	21.4	21.6	61	109	145	£9.90	£8.95
2"	25.7	27.3	75	191	254	£14.25	£12.95
2 1/2"	30.2	31.8	89	270	360	£34.20	£31.00
3"	33.3	38.7	106	466	620	£43.35	£39.40
4"	39.3	46.7	128	624	830	£61.85	£60.10

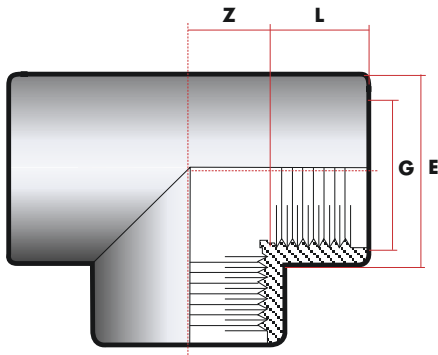
Barrel Nipples



BN11

d	L	Gr. ABS	Gr. PVC	Price ABS	Price PVC
3/8"	43	11	12	£1.90	£1.75
1/2"	50	13	14	£1.95	£1.85
3/4"	56	20	25	£2.40	£2.20
1"	63	30	38	£3.20	£2.90
1 1/4"	75	51	52	£4.15	£3.90
1 1/2"	88	83	80	£4.80	£4.60
2"	88	119	115	£6.10	£5.90
2 1/2"	106	205	197	£13.00	£12.40
3"	128	308	300	£15.20	£14.20
4"	153	485	560	£30.35	£29.80

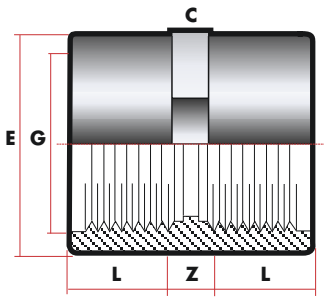
Equal Tees



TE41

G	L	Z	E	Gr. ABS	Gr. PVC	Price ABS	Price PVC
3/8"	11.4	11.6	23.5	13	18	£3.25	£2.30
1/2"	15.0	12.0	27.5	22	30	£3.40	£2.75
3/4"	16.3	16.7	33.5	37	50	£3.70	£3.50
1"	19.1	19.9	42	60	80	£5.15	£4.70
1 1/4"	21.4	25.6	51	90	120	£8.65	£8.40
1 1/2"	21.4	35.6	61	180	240	£11.20	£11.00
2"	25.7	45.3	75	320	425	£19.27	£18.55
2 1/2"	30.2	52.8	89	421	560	£34.50	£31.40
3"	33.3	64.7	106	752	1000	£49.50	£45.00
4"	39.3	78.7	129	985	1310	£82.70	£75.00

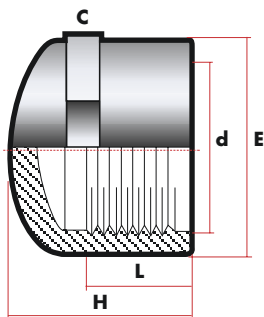
Sockets



SO11

G	L	Z	E	C	Gr. ABS	Gr. PVC	Price ABS	Price PVC
3/8"	11.4	6	23.5	24	6	8	£3.25	£3.05
1/2"	15.0	7	28	30	15	20	£3.35	£3.10
3/4"	16.3	7	34	36	19	25	£3.85	£3.80
1"	19.1	8	42	46	34	45	£4.80	£4.45
1 1/4"	21.4	8	50.5	55	49	65	£6.55	£6.20
1 1/2"	21.4	8	57.5	60	52	70	£7.35	£7.10
2"	25.7	8	71.5	75	94	125	£9.20	£8.75
2 1/2"	30.2	9	88	90	150	200	£20.60	£18.85
3"	33.3	10	102	105	207	276	£25.45	£24.15
4"	39.3	11	129	130	331	440	£47.00	£42.70

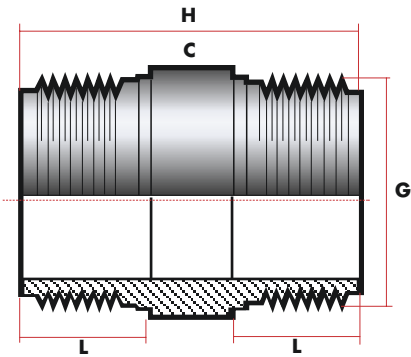
Caps



CA71

G	L	H	E	C	Gr. ABS	Gr. PVC	Price ABS	Price PVC
3/8"	11.4	22	23	24	5	7	£2.60	£2.55
1/2"	15.0	26	28	30	11	15	£3.40	£3.35
3/4"	16.3	28	34	36	17	23	£3.90	£3.85
1"	19.1	32	42	46	30	40	£4.15	£4.00
1 1/4"	21.4	35	51	55	42	56	£4.45	£4.15
1 1/2"	21.4	35	58	60	50	67	£5.75	£5.50
2"	25.7	39	72	75	85	113	£7.30	£6.95
2 1/2"	30.2	52	89	90	143	190	£18.15	£17.90
3"	33.3	56	103	105	203	270	£25.25	£23.85
4"	39.3	64	130	130	316	420	£31.35	£30.30

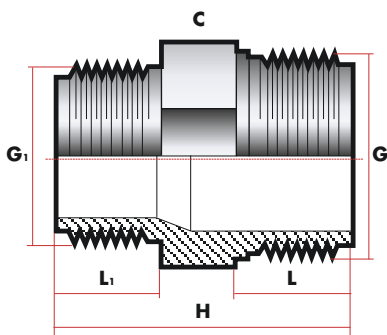
Hexagon Nipples



G	L	H	C	Gr. ABS	Gr. PVC	Price ABS	Price PVC
3/8"	11.4	31.7	19	4	6	£1.55	£1.50
1/2"	15.0	42	24	8	11	£1.95	£1.75
3/4"	16.3	44	30	13	18	£2.40	£2.05
1"	19.1	50	36	21	28	£2.90	£2.80
1 1/4"	21.4	58	46	35	47	£4.15	£3.80
1 1/2"	21.4	58	50	46	61	£4.85	£4.20
2"	25.7	66	65	74	98	£5.40	£5.25
2 1/2"	30.2	78	80	108	144	£12.50	£11.20
3"	33.3	85	95	173	230	£17.70	£16.10
4"	39.3	96	120	259	345	£27.35	£24.95

NI61

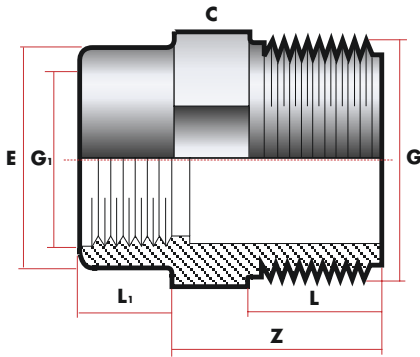
Reducing Nipples



G x G1	L	L1	H	C	Gr. ABS	Gr. PVC	Price ABS	Price PVC
1/2" x 3/8"	15.0	11.4	38	24	7	10	£2.25	£2.05
3/4" x 1/2"	16.3	15.0	43	30	13	17	£2.60	£2.30
1" x 3/4"	19.1	16.3	47	36	19	25	£3.65	£3.25
1 1/4" x 1"	21.4	19.1	56	46	31	42	£4.10	£3.70
1 1/2" x 1 1/4"	21.4	21.4	58	50	36	48	£5.75	£5.25
2" x 1 1/2"	25.7	21.4	62	65	60	80	£7.90	£7.25
2 1/2" x 2"	30.2	25.7	73	80	104	138	£14.40	£13.05
3" x 2 1/2"	33.3	30.2	82	95	156	208	£17.70	£16.00
4" x 3"	39.3	33.3	90	120	255	340	£26.80	£25.80

NR61

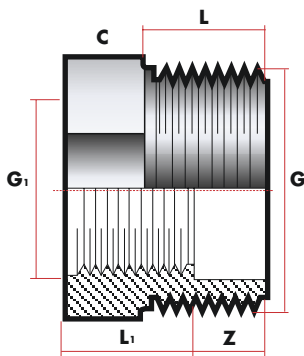
Reducing Bushes Long Pattern



RE61

G x G1	L	L1	Z	E	C	Gr. ABS	Gr. PVC	Price ABS	Price PVC
1/2" x 3/8"	15.0	11.4	24	23	24	9	12	£2.00	£1.55
3/4" x 3/8"	16.3	11.4	25	23	30	12	16	£2.20	£2.05
3/4" x 1/2"	16.3	15.0	26	28	30	15	20	£2.20	£2.05
1" x 3/8"	19.1	11.4	28	23	36	19	25	£2.45	£2.30
1" x 1/2"	19.1	15.0	29	28	36	20	26	£2.45	£2.30
1" x 3/4"	19.1	16.3	30	34	36	20	26	£2.45	£2.30
1 1/4" x 1/2"	21.4	15	33	28	46	31	42	£3.90	£3.75
1 1/4" x 3/4"	21.4	16.3	34	34	55	32	43	£3.90	£3.75
1 1/4" x 1"	21.4	19.1	33	42	46	35	46	£3.90	£3.75
1 1/2" x 3/4"	21.4	16.3	34	34	55	45	60	£5.10	£4.60
1 1/2" x 1"	21.4	19.1	34	42	50	41	55	£5.10	£4.60
1 1/2" x 1 1/4"	21.4	21.4	34	51	55	45	60	£5.10	£4.60
2" x 1"	25.7	19.1	37	42	65	73	97	£8.00	£7.25
2" x 1 1/4"	25.7	21.4	37	51	65	70	94	£8.00	£7.25
2" x 1 1/2"	25.7	21.4	37	58	65	72	96	£8.00	£7.25
2 1/2" x 1 1/4"	30.2	21.4	43	51	80	105	140	£14.20	£12.90
2 1/2" x 1 1/2"	30.2	21.4	43	58	80	104	138	£14.20	£12.90
2 1/2" x 2"	30.2	25.7	43	72	80	107	142	£14.20	£12.90
3" x 1 1/2"	33.3	21.4	47	58	95	150	200	£17.60	£15.90
3" x 2"	33.3	25.7	47	72	95	158	210	£17.60	£15.90
3" x 2 1/2"	33.3	30.2	47	89	95	162	215	£17.60	£15.90
4" x 2"	39.3	25.7	53	72	120	244	325	£28.30	£25.60
4" x 2 1/2"	39.3	30.2	53	89	120	248	330	£28.30	£25.60
4" x 3"	39.3	33.3	53	103	120	263	350	£28.30	£25.60

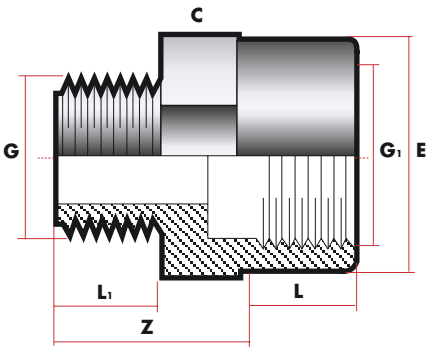
Reducing Bushes Short Pattern



RB91

G x G1	L	L1	Z	C	Gr. ABS	Gr. PVC	Price ABS	Price PVC
3/4" x 1/2"	16.3	15.0	13.3	30	10	13	£2.25	£2.05
1" x 3/4"	19.1	16.3	14.8	36	15	20	£2.90	£2.80
1 1/4" x 1"	21.4	19.1	16.3	46	26	35	£6.45	£6.15
1 1/2" x 1 1/4"	21.4	21.4	14.0	50	28	37	£7.05	£6.70
2" x 1 1/2"	25.7	21.4	18.3	65	54	72	£9.10	£8.65
2 1/2" x 2"	30.2	25.7	20.5	80	101	135	£13.20	£12.10
3" x 2 1/2"	33.3	30.2	20.1	95	120	160	£18.25	£16.60
4" x 3"	39.3	33.3	24.0	120	270	360	£29.15	£26.40

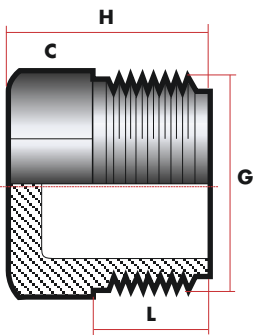
Reducing Pieces



G x G1	L	L1	Z	C	E	Gr. ABS	Gr. PVC	Price ABS	Price PVC
3/8" x 1/2"	11.4	15.0	22	30	28	12	16	£3.15	£2.75
1/2" x 3/4"	15.0	16.3	24	36	34	17	22	£3.30	£3.00
3/4" x 1"	16.3	19.1	26	46	42	28	37	£3.70	£3.60
1" x 1 1/4"	19.1	21.4	30	55	51	48	64	£5.10	£5.00
1 1/4" x 1 1/2"	21.4	21.4	33	60	58	60	80	£5.90	£5.80
1 1/2" x 2"	21.4	25.7	34	75	72	83	110	£7.30	£7.05
2" x 2 1/2"	25.7	30.2	38	90	89	143	190	£15.45	£15.10
2 1/2" x 3"	30.2	33.3	44	105	103	197	262	£20.05	£19.35
3" x 4"	33.3	39.3	48	130	130	316	420	£34.75	£34.10

RE21

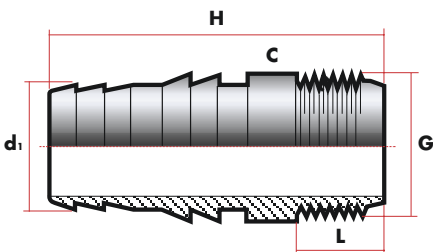
Plugs



G	L	H	C	Gr. ABS	Gr. PVC	Price ABS	Price PVC
3/8"	11.4	23	19	6	8	£1.70	£1.60
1/2"	15.0	29	24	8	10	£2.00	£1.95
3/4"	16.3	30	30	11	15	£2.40	£2.20
1"	19.1	33	36	19	25	£2.90	£2.75
1 1/4"	21.4	39	46	30	40	£3.90	£3.80
1 1/2"	21.4	39	50	34	45	£4.85	£4.75
2"	25.7	43	65	60	80	£5.40	£5.05
2 1/2"	30.2	53	80	103	137	£14.75	£13.40
3"	33.3	58	95	158	210	£17.80	£16.20
4"	39.3	65	120	248	330	£33.00	£30.00

PL71

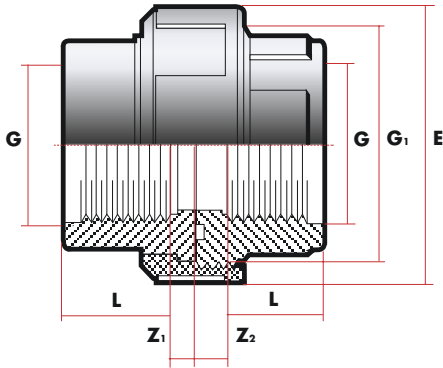
Hose Adaptors



G	d1	L	H	C	Gr. ABS	Gr. PVC	Price ABS	Price PVC
1/4"	12	11	52	19	6	8	£1.45	£1.35
3/8"	16	11.4	64	19	11	15	£1.55	£1.45
1/2"	20	15.0	70	24	15	20	£2.30	£2.10
3/4"	25	16.3	75	27	22	30	£3.05	£2.85
1"	32	19.1	80	36	38	50	£3.50	£3.40
1 1/4"	40	21.4	92	46	57	70	£5.20	£4.95
1 1/2"	50	21.4	100	55	89	118	£6.20	£5.95
2"	60	25.7	118	65	143	190	£9.40	£8.50

HN61

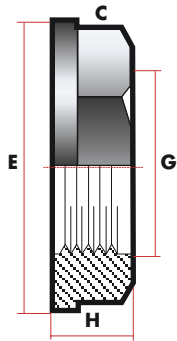
Socket Unions



G	L	Z1	Z2	G1	E	Gr. ABS	Gr. PVC	Price ABS	Price PVC
3/8"	11.4	5.6	12.6	3/4"	67	24	32	£6.95	£6.35
1/2"	15.0	4	11.0	1"	42	34	45	£8.00	£7.35
3/4"	16.3	5.7	12.7	1 1/4"	52	54	72	£8.80	£7.95
1"	19.1	5.9	12.9	1 1/2"	59	75	100	£12.50	£11.40
1 1/4"	21.4	7.6	16.6	2"	72	120	160	£15.35	£14.00
1 1/2"	21.4	12.6	23.6	2 1/4"	79	165	220	£21.60	£19.70
2"	25.7	15.3	30.3	2 3/4"	96	300	400	£30.40	£27.70
2 1/2"	30.2	16.8	31.8	3 1/2"	119	477	635	£61.40	£55.90
3"	33.3	22.7	35.7	4"	134	639	850	£70.60	£64.35
4"	39.3	26.7	39.7	5"	163	947	1260	£81.20	£73.80

UN81

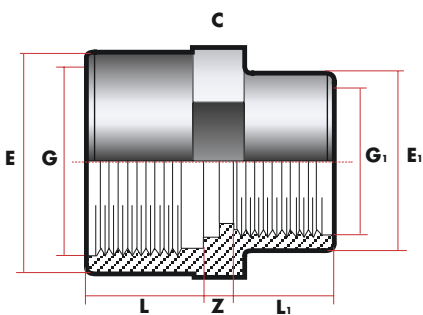
Back Nuts



G	E	H	C	Gr. ABS	Gr. PVC	Price ABS	Price PVC
1/2"	38	13	29	10	13	£2.10	£1.85
3/4"	43	14	34	12	16	£2.45	£2.25
1"	56	16	46	22	30	£3.30	£3.05
1 1/4"	65	18	50	26	35	£5.65	£5.55
1 1/2"	72	19	60	34	45	£6.45	£5.95
2"	94	21	80	68	90	£8.00	£7.40
2 1/2"	115	24	94	135	180	£14.20	£12.95
3"	130	27	108	173	230	£19.70	£17.85
4"	162	30	135	255	340	£26.40	£23.95

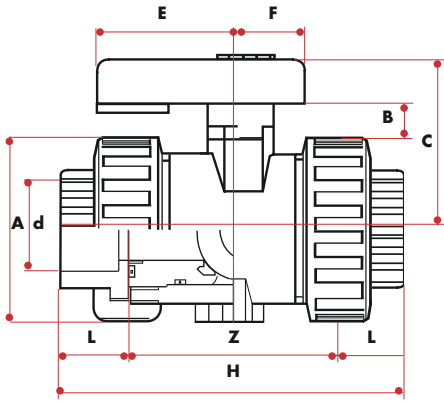
NU91

Reducing Sockets

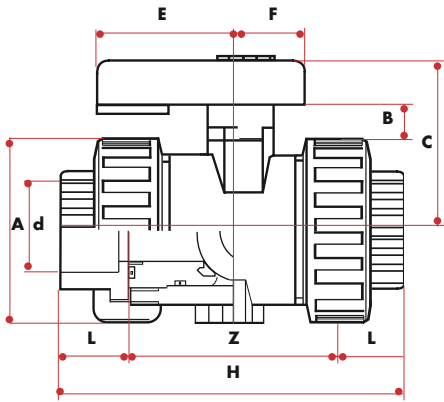


G x G	L	L1	Z	E	E1	C	Gr. ABS	Gr. PVC	Price ABS	Price PVC
1/2" x 3/8"	15.0	11.4	6	28	23	24	13	18	£3.45	£3.25
3/4" x 1/2"	16.3	15.0	7	34	28	30	18	24	£3.45	£3.25
1" x 3/4"	19.1	16.3	7	42	34	36	31	41	£3.80	£3.40
1 1/4" x 1"	21.4	19.1	8	51	42	46	47	62	£4.60	£4.20
1 1/2" x 1 1/4"	21.4	21.4	8	58	51	55	54	72	£6.75	£6.20
2" x 1 1/2"	25.7	21.4	8	72	58	60	87	116	£9.60	£8.60
2 1/2" x 2"	30.2	25.7	8	89	72	75	96	128	£20.50	£18.65
3" x 2 1/2"	33.3	30.2	9	103	89	105	215	287	£24.60	£22.20
4" x 3"	39.3	33.3	10	130	103	130	326	434	£35.40	£32.10

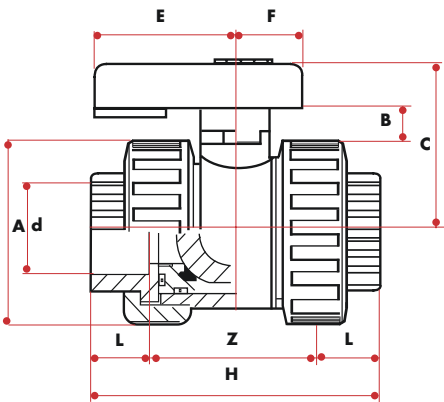
RS11

INDUSTRIAL DOUBLE UNION BALL VALVES WITH PLAIN ENDS FOR SOLVENT WELDING EPDM SEALS

BVI13

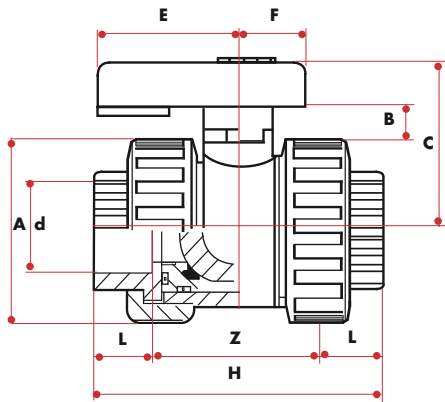
d	L	Z	H	A	B	C	E	F	Gr.	ABS Price	PVC Price
3/8"	14	70	98	50	10	48	39	19	210	£29.75	£27.50
1/2"	16	70	102	50	10	48	39	19	200	£29.75	£27.50
3/4"	19	82	120	60	11	54	47	22	310	£36.00	£34.20
1"	22	84	128	68	13	62	55	25	430	£43.00	£40.25
1 1/4"	26	95	147	80	18	75	60	30	650	£55.50	£51.90
1 1/2"	31	101	163	96	20	87	68	35	970	£73.00	£66.10
2"	38	121	197	116	20	101	80	40	1550	£88.20	£82.20
2 1/2"	44	126	214	145	25	123	90	45	2360	£192.40	£165.00
3"	51	139	241	166	28	138	100	50	3760	£247.00	£226.40
4"	61	159	281	210	28	160	120	60	6140	£378.50	£295.35

INDUSTRIAL DOUBLE UNION BALL VALVES WITH PLAIN ENDS FOR SOLVENT WELDING FPM SEALS

BVI33

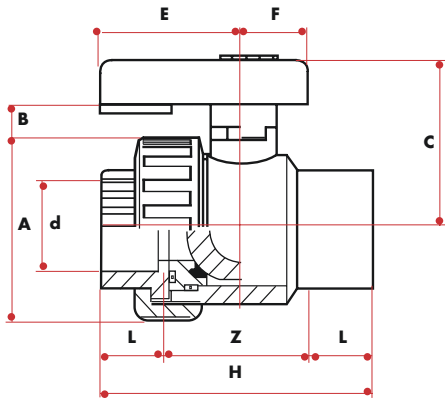
d	L	Z	H	A	B	C	E	F	Gr.	ABS Price	PVC Price
3/8"	14	70	98	50	10	48	39	19	210	£38.00	£33.75
1/2"	16	70	102	50	10	48	39	19	200	£38.00	£33.75
3/4"	19	82	120	60	11	54	47	22	310	£46.80	£42.00
1"	22	84	128	68	13	62	55	25	430	£56.80	£50.60
1 1/4"	26	95	147	80	18	75	60	30	650	£75.90	£67.60
1 1/2"	31	101	163	96	20	87	68	35	970	£98.90	£85.50
2"	38	121	197	116	20	101	80	40	1550	£126.50	£113.80
2 1/2"	44	126	214	145	25	123	90	45	2360	£263.00	£198.50
3"	51	139	241	166	28	138	100	50	3760	£318.50	£285.30
4"	61	159	281	210	28	160	120	60	6140	£483.00	£379.90

DOUBLE UNION BALL VALVES WITH PLAIN ENDS FOR SOLVENT WELDING EPDM SEALS

BVD13

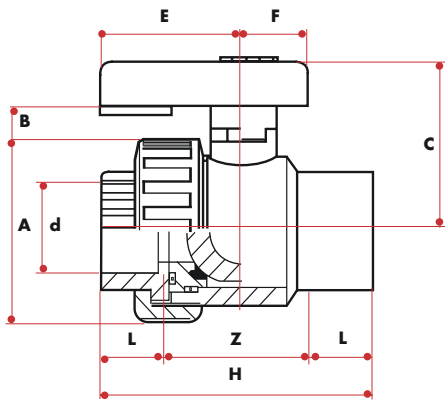
d	L	Z	H	A	B	C	E	F	Gr.	PVC Price
3/8"	14	48	76	50	10	48	39	19	140	£9.90
1/2"	16	48	80	50	10	48	39	19	130	£9.90
3/4"	19	53	91	60	11	54	47	22	210	£10.80
1"	22	58	102	68	13	62	55	25	310	£17.60
1 1/4"	26	68	120	80	18	75	60	30	450	£21.80
1 1/2"	31	78	140	96	20	87	68	35	730	£26.15
2"	38	93	169	116	20	101	80	40	1220	£41.70
2 1/2"	44	126	214	145	25	123	90	45	2300	£119.70
3"	51	139	241	166	28	138	100	50	3650	£147.00
4"	61	159	281	210	28	160	120	60	6000	£240.00

DOUBLE UNION BALL VALVES WITH FEMALE THREADED BSP ENDS EPDM SEALS

BVD11

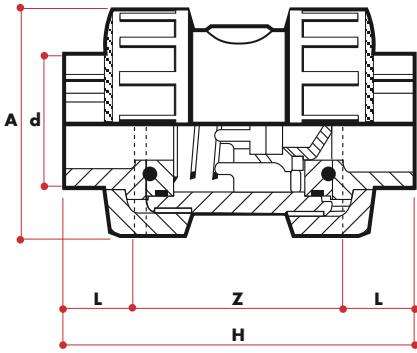
d	L	Z	H	A	B	C	E	F	Gr.	PVC Price
3/8"	14	48	76	50	10	48	39	19	140	£10.75
1/2"	16	48	80	50	10	48	39	19	130	£10.75
3/4"	19	53	91	60	11	54	47	22	210	£11.90
1"	22	58	102	68	13	62	55	25	310	£18.70
1 1/4"	26	68	120	80	18	75	60	30	450	£22.60
1 1/2"	31	78	140	96	20	87	68	35	730	£28.40
2"	38	93	169	116	20	101	80	40	1220	£42.90
2 1/2"	44	126	214	145	25	123	90	45	2300	£127.10
3"	51	139	241	166	28	138	100	50	3650	£148.70
4"	61	159	281	210	28	160	120	60	6000	£248.00

SINGLE UNION BALL VALVES WITH PLAIN ENDS FOR SOLVENT WELDING EPDM SEALS

BVS13

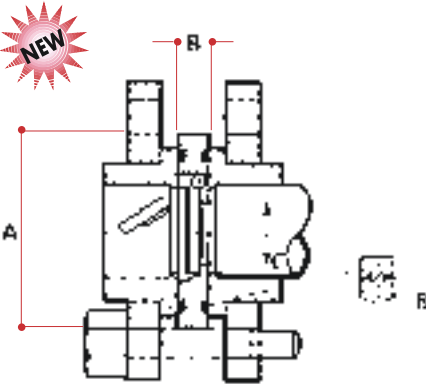
d	L	Z	H	A	B	C	E	F	Gr.	PVC Price
3/8"	14	44	72	50	10	48	39	19	100	£7.50
1/2"	16	44	76	50	10	48	39	19	110	£7.50
3/4"	19	52	90	60	11	54	47	22	170	£8.30
1"	22	58	102	68	13	62	55	25	250	£9.30
1 1/4"	24	70	118	80	18	75	60	30	370	£13.20
1 1/2"	24	79	127	96	20	87	68	35	580	£17.80
2"	28	112	168	116	20	101	80	40	1030	£30.80
2 1/2"	33	144	210	145	25	123	90	45	1870	£75.30
3"	36	163	235	166	28	138	100	50	2950	£80.40
4"	42	191	275	210	28	160	120	60	4850	£145.00

SINGLE UNION BALL VALVES WITH FEMALE THREADED BSP ENDS EPDM SEALS

BVS11

d	L	Z	H	A	B	C	E	F	Gr.	PVC Price
3/8"	14	44	72	50	10	48	39	19	100	£8.00
1/2"	16	44	76	50	10	48	39	19	110	£8.00
3/4"	19	52	90	60	11	54	47	22	170	£8.80
1"	22	58	102	68	13	62	55	25	250	£10.00
1 1/4"	24	70	118	80	18	75	60	30	370	£14.65
1 1/2"	24	79	127	96	20	87	68	35	580	£19.20
2"	28	112	168	116	20	101	80	40	1030	£31.40
2 1/2"	33	144	210	145	25	123	90	45	1870	£79.10
3"	36	163	235	166	28	138	100	50	2950	£84.70
4"	42	191	275	210	28	160	120	60	4850	£147.00

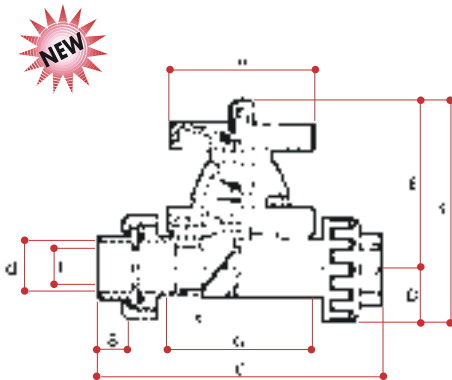
DOUBLE UNION CHECK VALVES WITH PLAIN ENDS FOR SOLVENT WELDING EPDM SEALS


d	DN	L	Z	H	A	PN	Gr. ABS	Gr. PVC	Price ABS	Price PVC
1/2"	15	16	48	80	50	16	85	90	£31.50	£27.10
3/4"	20	19	53	91	60	16	135	140	£37.50	£31.50
1"	25	22	58	102	68	16	195	240	£39.70	£34.10
1 1/4"	32	26	68	120	80	16	300	400	£55.10	£40.25
1 1/2"	40	31	78	140	96	16	470	700	£64.15	£49.70
2"	50	38	93	169	116	16	800	1200	£87.10	£71.50

CVD13
WAFER PLATE CHECK VALVES EPDM SEALS


Size	A	B	C	Gr.	PVC Price
1 1/4"	85	15	18	184	£23.20
1 1/2"	95	16	22	218	£24.75
2"	109	20	32	310	£30.20
2 1/2"	130	20	40	406	£33.30
3"	144	20	53	468	£39.50
4"	164	22	70	660	£48.45
5"	192	22	93	850	£55.55
6"	220	26	113	1252	£68.15
8"	276	35	152	2230	£80.75
10"	330	40	189	3380	£123.20
12"	380	45	226	4865	£184.80

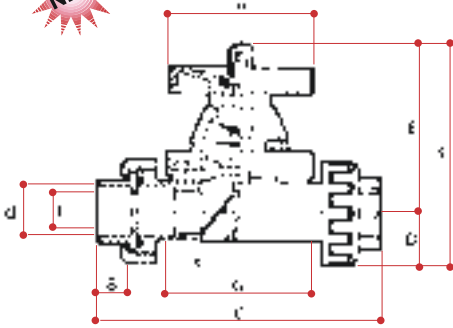
*WAFER CHECK VALVES ARE SUPPLIED WITHOUT FLANGES

DIAPHRAGM VALVES WITH DOUBLE UNION ENDS FOR SOLVENT WELD EPDM DIAPHRAGM


d	B	C	D	E	F	G	H	I	K	Gr.	PVC Price
3/8"	17	156	24	93	117	73	82	10	M-6	7030	£67.60
1/2"	17	156	24	93	117	73	82	15	M-6	7030	£67.60
3/4"	19	168	27	98	125	83	82	20	M-6	8058	£77.50
1"	22	184	33	107	140	93	94	25	M-6	9420	£90.60
1 1/4"	27	205	39	113	152	102	94	32	M-8	11486	£110.45
1 1/2"	35	228	50	121	171	115	117	40	M-8	14535	£139.75
2"	32	245	47	123	170	122	117	50	M-8	18061	£173.70

DVD13

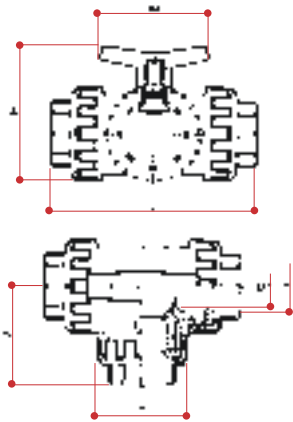
DIAPHRAGM VALVES WITH DOUBLE UNION ENDS FOR SOLVENT WELD FPM DIAPHRAGM



d	B	C	D	E	F	G	H	I	K	Gr.	PVC Price
3/8"	17	156	24	93	117	73	82	10	M-6	7030	£101.45
1/2"	17	156	24	93	117	73	82	15	M-6	7030	£101.45
3/4"	19	168	27	98	125	83	82	20	M-6	8058	£114.05
1"	22	184	33	107	140	93	94	25	M-6	9420	£151.60
1 1/4"	27	205	39	113	152	102	94	32	M-8	11486	£184.50
1 1/2"	35	228	50	121	171	115	117	40	M-8	14535	£243.10
2"	32	245	47	123	170	122	117	50	M-8	18061	£300.35

DVD33

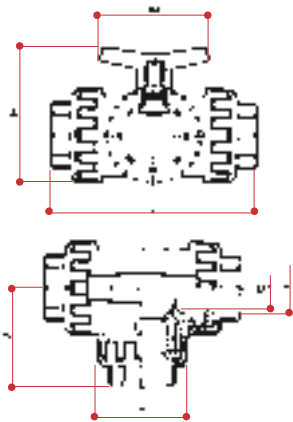
3 WAY BALL VALVES 'L' PORT WITH DOUBLE UNION ENDS FOR SOLVENT WELDING EPDM SEALS



d	D1	L	A	M	T	N	Gr.	PVC Price
3/8"	15	112	80	85	45	57	226	£26.85
1/2"	15	112	80	85	45	57	294	£26.85
3/4"	20	123	87	85	55	62	360	£33.00
1"	25	147	104	100	66	74	574	£40.20
1 1/4"	32	169	115	100	79	82	868	£51.10
1 1/2"	40	209	145	127	102	104	1420	£62.90
2"	50	230	160	127	111	117	1748	£75.35

BVL13

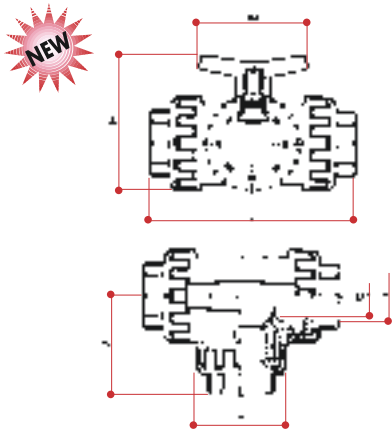
3 WAY BALL VALVES 'T' PORT WITH DOUBLE UNION ENDS FOR SOLVENT WELDING EPDM SEALS



d	D1	L	A	M	T	N	Gr.	PVC Price
3/8"	15	112	80	85	45	57	272	£26.85
1/2"	15	112	80	85	45	57	272	£26.85
3/4"	20	123	87	85	55	62	364	£33.00
1"	25	147	104	100	66	74	572	£40.20
1 1/4"	32	169	115	100	79	82	842	£51.10
1 1/2"	40	209	145	127	102	104	1418	£62.90
2"	50	230	160	127	111	117	1750	£75.35

BVT13

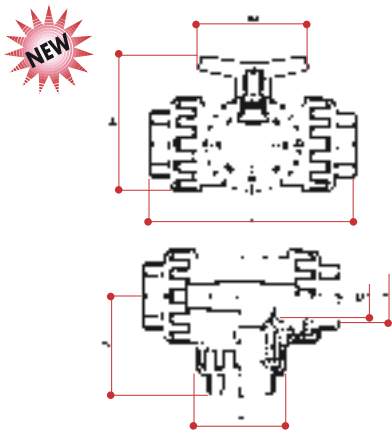
3 WAY BALL VALVES 'L' PORT WITH DOUBLE UNION BSP ENDS EPDM SEALS



d	D1	L	A	M	T	N	Gr.	PVC Price
3/8"	15	112	80	85	45	57	224	£27.85
1/2"	15	112	80	85	45	57	310	£27.85
3/4"	20	123	87	85	55	62	356	£34.00
1"	25	147	104	100	66	74	594	£41.15
1 1/4"	32	169	115	100	79	82	882	£53.50
1 1/2"	40	209	145	127	102	104	1405	£66.85
2"	50	230	160	127	111	117	1766	£79.30

BVL11

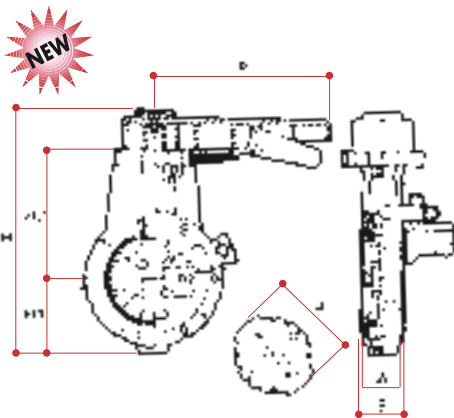
3 WAY BALL VALVES 'T' PORT WITH DOUBLE UNION BSP ENDS EPDM SEALS



d	D1	L	A	M	T	N	Gr.	PVC Price
3/8"	15	112	80	85	45	57	270	£27.85
1/2"	15	112	80	85	45	57	270	£27.85
3/4"	20	123	87	85	55	62	364	£34.00
1"	25	147	104	100	66	74	570	£41.15
1 1/4"	32	169	115	100	79	82	816	£53.50
1 1/2"	40	209	145	127	102	104	1456	£66.85
2"	50	230	160	127	111	117	1816	£79.30

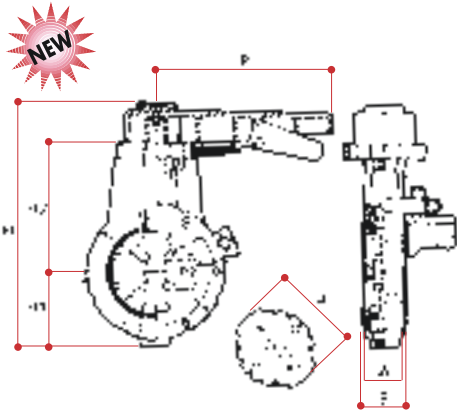
BVT11

WAFER BUTTERFLY VALVES EPDM SEALS



d	D	D1	D2	H	H1	H2	P	X	A	B	Gr.	PVC Price
2"	50	98	125	223	68	107	209,5	103	40	43	940	£82.70
2 1/2"	65	130	145	239,5	65	126,5	209,5	103	49,5	55	1510	£85.30
3"	80	144	160	254,5	72	134,5	209,5	103	50	55,5	1670	£98.90
4"	100	164	180	296	94,5	153,5	209,5	103	48	53,5	1938	£105.05
5"	125	194	210	310,8	109,5	153,5	209,5	103	56	63	2370	£123.55
6"	150	220	240	345	123	174	299	103	64	71	3590	£146.15
8"	200	290	295	407,7	145	215	299	103	72	78	6090	£206.95
10"	250	325	350	508,5	210	248	450	140	82	92	9100	£458.40

BFY50

WAFER BUTTERFLY VALVES FPM SEALS


d	D	D1	D2	H	H1	H2	P	X	A	B	Gr.	PVC Price
2"	50	98	125	223	68	107	209,5	103	40	43	940	£144.85
2 1/2"	65	130	145	239,5	65	126,5	209,5	103	49,5	55	1510	£147.40
3"	80	144	160	254,5	72	134,5	209,5	103	50	55,5	1670	£176.90
4"	100	164	180	296	94,5	153,5	209,5	103	48	53,5	1938	£215.10
5"	125	194	210	310,8	109,5	153,5	209,5	103	56	63	2370	£279.55
6"	150	220	240	345	123	174	299	103	64	71	3590	£380.05
8"	200	290	295	407,7	145	215	299	103	72	78	6090	£482.85
10"	250	325	350	508,5	210	248	450	140	82	92	9100	£735.70

BFY53
INDUSTRIAL DOUBLE UNION BALL VALVES PLAIN ENDS FOR SOLVENT WELDING EPDM SEALS C/W ACTUATORS

BVI 13 DA/SR/EL

	ABS PNEU DA	ABS PNEU SR	ABS ELECT 110/240V	PVC PNEU DA	PVC PNEU SR	PVC ELECT 110/240V
3/8"	£329.64	£365.64	£904.44	£324.54	£360.54	£899.34
1/2"	£329.64	£365.64	£904.44	£324.54	£360.54	£899.34
3/4"	£337.32	£373.32	£912.12	£331.56	£367.56	£906.36
1"	£345.72	£381.72	£920.52	£338.34	£374.34	£913.14
1 1/4"	£360.54	£432.54	£935.34	£351.00	£423.00	£925.80
1 1/2"	£381.84	£453.84	£956.64	£366.36	£438.36	£941.16
2"	£435.24	£555.24	£994.74	£420.24	£540.24	£979.74
2 1/2"	£592.50	£712.50	£1152.00	£516.42	£636.42	£1075.92
3"	£657.24	£879.24	£1216.74	£615.48	£837.48	£1174.98
4"	£877.50	£1171.50	£1422.60	£753.30	£1047.30	£1298.40

INDUSTRIAL DOUBLE UNION BALL VALVES PLAIN ENDS FOR SOLVENT WELDING FPM SEALS C/W ACTUATORS

BVI 33 DA/SR/EL

	ABS PNEU DA	ABS PNEU SR	ABS ELECT 110/240V	PVC PNEU DA	PVC PNEU SR	PVC ELECT 110/240V
3/8"	£339.66	£375.66	£914.46	£334.56	£370.56	£909.36
1/2"	£339.66	£375.66	£914.46	£334.56	£370.56	£909.36
3/4"	£350.04	£386.04	£924.84	£344.22	£380.22	£919.02
1"	£362.04	£398.04	£936.84	£354.60	£390.60	£929.40
1 1/4"	£385.08	£457.08	£959.88	£375.54	£447.54	£950.34
1 1/2"	£412.80	£484.80	£987.60	£397.38	£469.38	£972.18
2"	£481.20	£601.20	£1040.70	£466.20	£586.20	£1025.70
2 1/2"	£675.54	£795.54	£1235.04	£599.52	£719.52	£1159.02
3"	£744.90	£966.90	£1304.40	£703.08	£925.08	£1262.58
4"	£1003.14	£1297.14	£1548.24	£878.94	£1172.94	£1424.04

3 WAY BALL VALVE 'L & T' PORT UNION ENDS FOR SOLVENT WELD EPDM SEALS C/W ACTUATORS


	PVC PNEU DA	PVC PNEU SR	PVC ELECTRIC 110/240V
3/8"	£352.19	£383.39	£716.19
1/2"	£352.19	£383.39	£716.19
3/4"	£358.27	£389.49	£722.29
1"	£366.59	£397.79	£730.59
1 1/4"	£377.52	£408.72	£741.52
1 1/2"	£390.42	£525.62	£754.40
2"	£496.46	£746.03	£1089.25

BVL13, BVT13/DA/SR/EL
WAFER TYPE BUTTERFLY VALVE EPDM SEALS C/W ACTUATOR


	PVC PNEU DA	PVC PNEU SR	PVC ELECTRIC 110/240V
2"	£528.42	£679.76	£814.98
2 1/2"	£531.15	£682.34	£817.54
3"	£623.74	£696.54	£1089.26
4"	£629.98	£1273.79	£1095.50
5"	£680.93	£1356.91	£1169.71
6"	£704.64	£1380.62	£1968.59
8"	£906.90	£2235.84	£2029.41
10"	£1631.58	£2564.77	£2760.93

BFY50/DA/SR/EL

All our Actuators are assembled and tested in our own workshops and are usually dispatched within 48 hours of receipt of order.

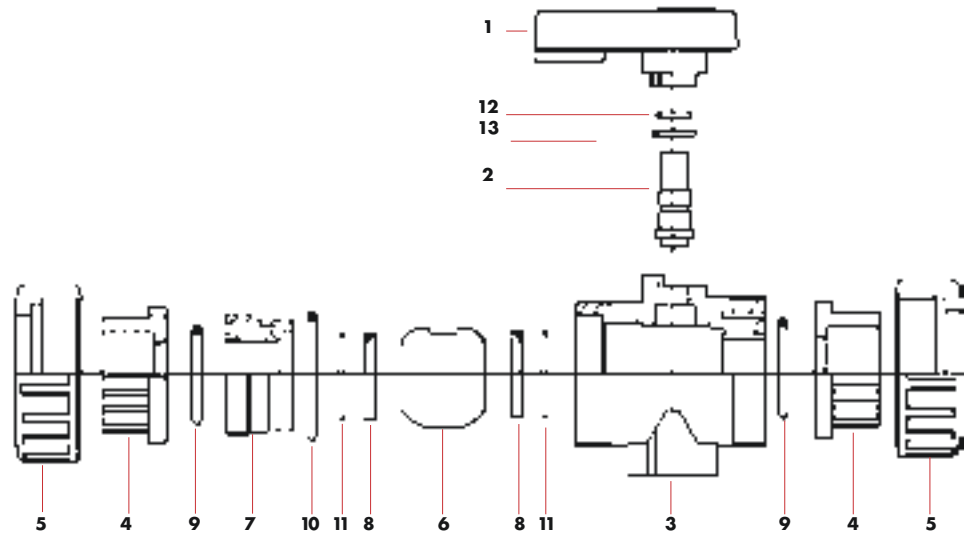
All actuators have been sized with the valves at maximum working pressure with a 25% safety factor which will allow immediate use with the majority of media. For solid or viscous media however please contact our technical department.

A full range of accessories is available i.e. visual indicators, solenoid valves, modulating actuators, switch kits. Please contact our sales department for prices.

BVI13

Part No. Components

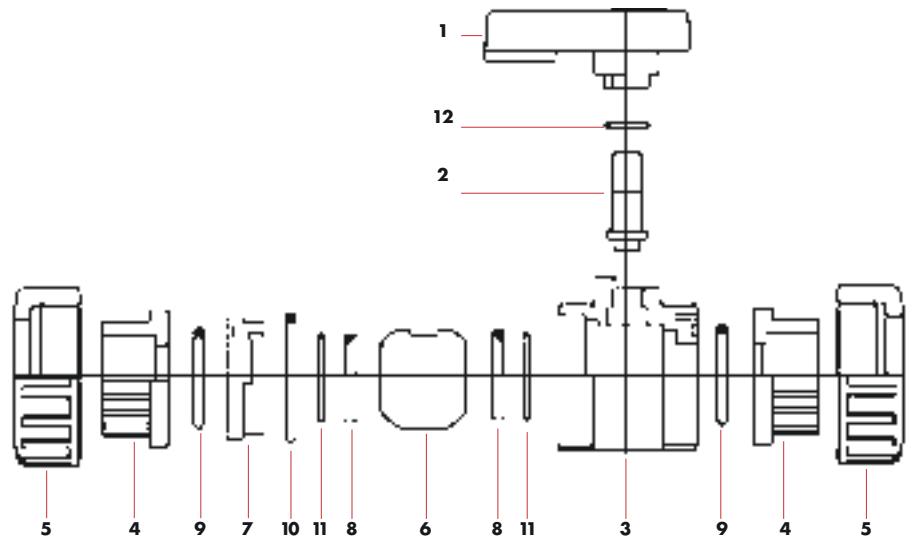
1	Handle
2	Stem
3	Body
4	Union End
5	Union Nut
6	Ball
7	Sealing Bush
8	Ball seat
9	Union O-ring
10	O-ring sealing bush
11	O-ring ball seat
12	O-ring stem
13	Stem O-ring inner



BVD13

Part No. Components

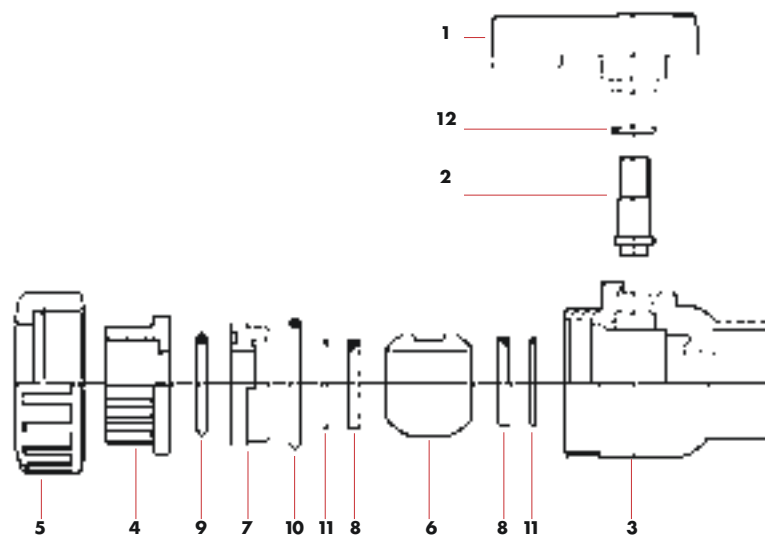
1	Handle
2	Stem
3	Body
4	Union End
5	Union Nut
6	Ball
7	Sealing Bush
8	Ball seat
9	Union O-ring
10	O-ring sealing bush
11	O-ring ball seat
12	O-ring stem

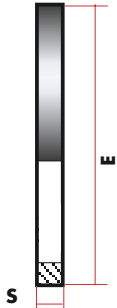


BVs13

Part No. Components

1	Handle
2	Stem
3	Body
4	Union End
5	Union Nut
6	Ball
7	Sealing Bush
8	Ball seat
9	Union O-ring
10	O-ring sealing bush
11	O-ring ball seat
12	O-ring stem

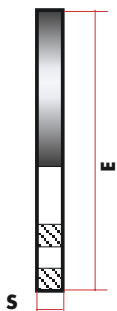


EPDM Gaskets
Stub Gaskets


Size	E	S	Gr	Price
1/2"	34	3	20	£0.50
3/4"	41	3	21	£0.60
1"	50	3	26	£0.75
1 1/4"	61	3	29	£0.95
1 1/2"	73	3	34	£1.00
2"	90	3	35	£1.05
2 1/2"	106	3	38	£1.10
3"	125	3	40	£1.35
4"	150	4	43	£1.85
5"	188	4	59	£2.70
6"	213	4	73	£2.95
8"	274	4	88	£5.95

SG50
FF BS10 Table E


Size	E	S	Holes	Gr	Price
1/2"	95	3	4	30	£1.10
3/4"	101	3	4	36	£1.20
1"	114	3	4	38	£1.40
1 1/4"	120	3	4	40	£1.55
1 1/2"	135	3	4	55	£1.95
2"	156	3	4	57	£2.45
3"	186	3	4	99	£3.40
4"	219	3	8	114	£4.90
6"	279	3	8	160	£7.85

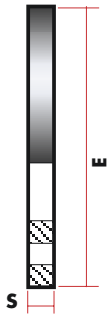
SF10
FF BS4504 PN16


Size	E	S	Holes	Gr	Price
1/2"	95	3	4	30	£1.15
3/4"	101	3	4	36	£1.20
1"	114	3	4	38	£1.40
1 1/4"	120	3	4	40	£1.65
1 1/2"	135	3	4	55	£2.20
2"	156	3	4	57	£2.65
2 1/2"	176	3	4	78	£3.30
3"	186	3	8	99	£3.45
4"	219	3	8	114	£4.90
6"	279	3	8	160	£7.85

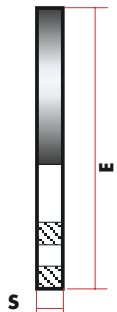
SF16

Galvanised Mild Steel Backing Rings
BS10 TABLE E


Size	E	S	P.C.D.	Holes	Gr	Price
1/2"	95	6	67	4	210	£3.55
3/4"	102	6	73	4	230	£3.85
1"	115	6	83	4	290	£4.30
1 1/4"	120	6	87	4	290	£4.80
1 1/2"	134	8	98	4	370	£5.15
2"	152	8	115	4	590	£6.30
2 1/2"	165	8	127	4	890	£8.25
3"	185	8	145	4	1060	£9.60
4"	216	8	178	8	1190	£13.20
5"	254	10	210	8	2070	£18.55
6"	290	10	235	8	2160	£22.10
8"	337	10	292	8	2800	£36.10

GB 10
BS4504 PN16


Size	E	S	P.C.D.	Holes	Gr	Price
1/2"	95	6	65	4	350	£4.05
3/4"	105	6	75	4	410	£4.30
1"	115	6	85	4	490	£4.95
1 1/4"	140	6	100	4	730	£5.35
1 1/2"	150	6	110	4	820	£5.95
2"	165	8	125	4	1220	£7.15
2 1/2"	185	8	145	4	1480	£8.90
3"	200	8	160	8	1500	£11.30
4"	220	8	180	8	1680	£15.00
5"	250	10	210	8	1940	£21.25
6"	285	10	240	8	2700	£23.80
8"	340	10	295	12	3230	£40.80

GB16
BS1560 ASA150


Size	E	S	P.C.D.	Holes	Gr	Price
1/2"	89	6	60	4	190	£4.05
3/4"	99	6	70	4	230	£4.30
1"	108	6	80	4	290	£4.95
1 1/4"	118	6	90	4	300	£5.25
1 1/2"	127	6	98	4	360	£5.70
2"	152	8	121	4	790	£7.05
3"	190	8	152	4	1240	£11.05
4"	229	8	190	8	1560	£15.85
5"	254	10	216	8	2070	£21.60
6"	280	10	241	8	2730	£22.90
8"	343	10	298	8	3340	£41.30

GB15

Solvent Cement
Solvent Cement for uPVC


Size	Code	Price
500ml Tin	PVC	£12.85

PVC
Solvent Cement for ABS


Size	Code	Price
500ml Tin	ABS	£6.60

ABS
Cleaning fluid for uPVC and ABS

Size	Code	Price
500ml tin	MEK	£6.05



Size	Code	Price
500ml Aerosol	AERO	£6.50

MEK



VISIT US AT
www.albiondistribution.co.uk

ALBION

ALBION DISTRIBUTION LIMITED

DISTRIBUTOR