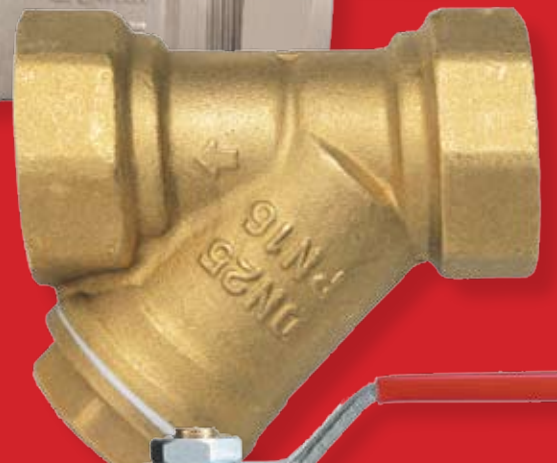
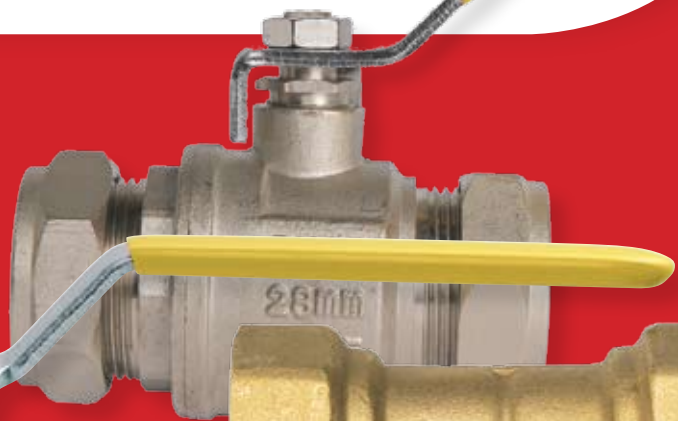




# Brass Valves



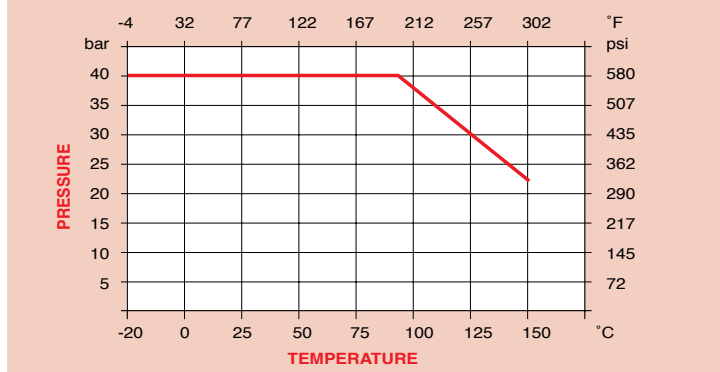
Product information

## PN40 Brass Ball Valve

### Features

- Screwed BSP Taper
- PTFE seats & seals
- Anti Blow Out Stem
- Full Bore

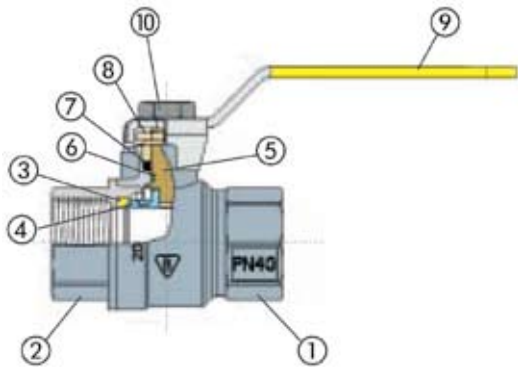
### Pressure / Temperature



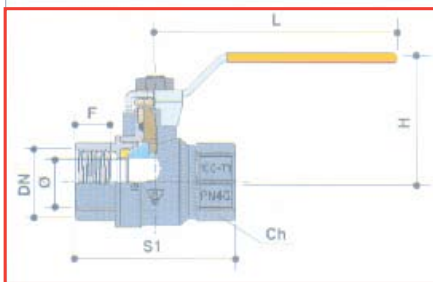
DN	1/4"	3/8"	1/2"	3/4"	1"	1 1/4"	1 1/2"	2"	2 1/2"	3"	4"
∅	10	10	15	20	25	32	40	50	61	74	95
F	10	10	15	16	19	21	21	26	27	28	35
S1	45	45	63	71	83	92	104	124	140	159	195
S2	42	54	70	80	92	102	117	137			
S3		54	68	77	92						
H	41	41	54	58	66	71	80	88	131	140	156
L	80	80	90	90	125	125	140	140	250	250	250
L1	52	52	62	62	72						
Ch	21	21	26	31	38	48	55	68	85	99	125
Kgs	0.14	0.14	0.26	0.37	0.57	0.84	1.46	2.09	4.30	6.00	9.25

### Technical Data

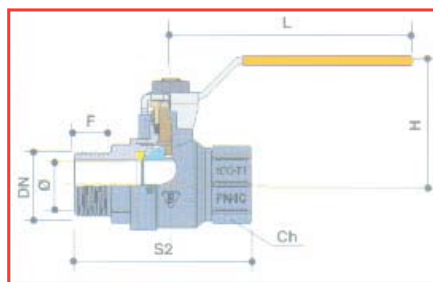
Working Temperature -20°C to +150°C      Max Pressure 40 bar



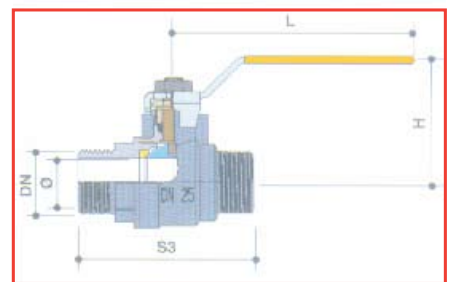
N.	Part Name	Materials	Treatment
1	Body	Brass CW617N-UNI EN 12165/98	Nickel plated
2	Body End	Brass CW617N-UNI EN 12165/98	Nickel plated
3	Seat	PTFE	
4	Ball	Brass CW617N-UNI EN 12165/98	Nickel plated
5	Stem	Brass CW614N-UNI EN 12165/98	
6	O Ring	FP	
7	Stem Seat	PTFE	
8	Packing Nut	Brass CW614N-UNI EN 12165/98	
9	Handle	Steel	PVC-Plastic Coated
10	Nut	Steel	Zinc Plated



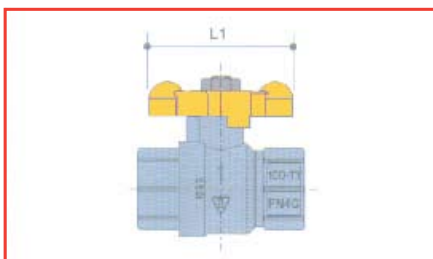
Art 45



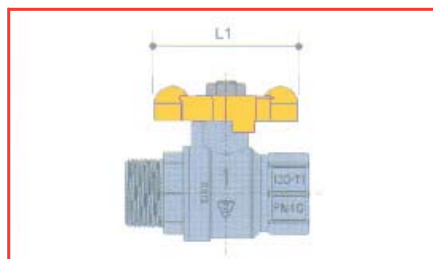
Art 46



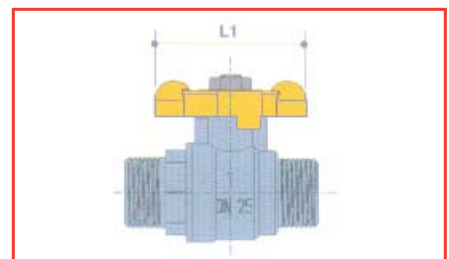
Art 47



Art 45/A



Art 46/A



Art 47/A

Dimensions in mm

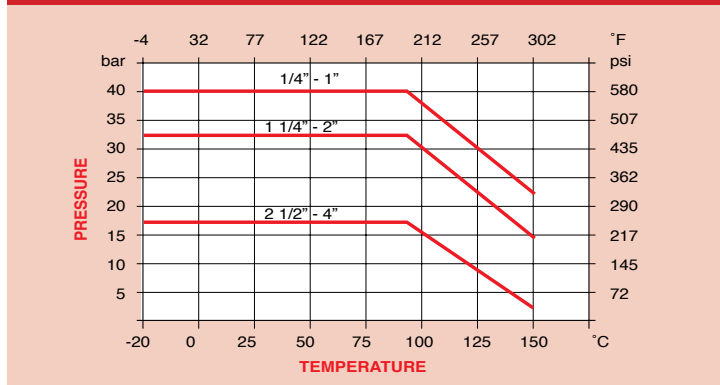
This data sheet is designed as a guide and should not be regarded as wholly accurate in every detail. We reserve the right to amend the specification of any product without notice.

## PN40 Brass Ball Valve

### Features

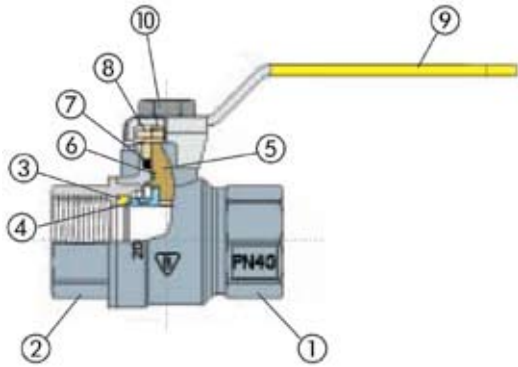
- Screwed BSP Parallel
- PTFE seats & seals
- Anti Blow Out Stem
- Full Bore

### Pressure / Temperature



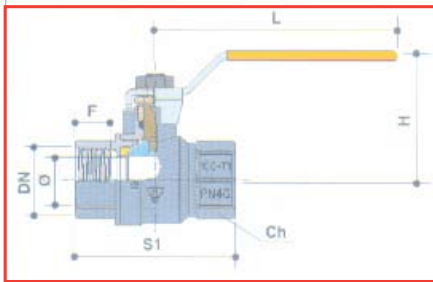
DN	1/4"	3/8"	1/2"	3/4"	1"	1 1/4"	1 1/2"	2"	2 1/2"	3"	4"
ø	10	10	15	20	25	32	40	50	61	74	95
F	10	10	15	16	19	21	21	26	20	24	27
S1	45	45	63	71	83	92	104	124	130	150	178
S2	42	54	70	80	92	102	117	137			
S3		54	68	77	92						
H	41	41	54	58	66	71	80	88	120	127	135
L	80	80	90	90	125	125	140	140	240	240	250
L1	52	52	62	62	72						
Ch	21	21	26	31	38	48	55	68	84	96	123
Kgs	0.14	0.14	0.26	0.37	0.57	0.84	1.46	2.09	2.98	3.91	6.97

Technical Data	1/4" - 1"	1 1/4" - 2"	2 1/2" - 4"
Max Pressure	40 bar	32 bar	16 bar
Working Temperature	-20°C to +150°C	-20°C to +150°C	-10°C to +110°C

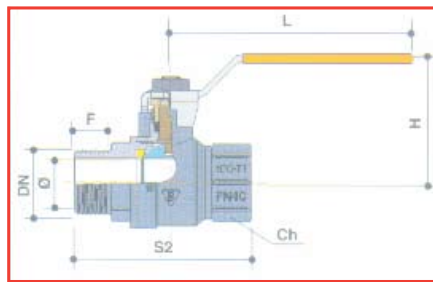


N.	Part Name	Materials	Treatment
1	Body	Brass CW617N-UNI EN 12165/98	Nickel plated
2	Body End	Brass CW617N-UNI EN 12165/98	Nickel plated
3	Seat	PTFE	
4	Ball	Brass CW617N-UNI EN 12165/98	Nickel plated
5	Stem	Brass CW614N-UNI EN 12165/98	
6	O Ring	FP	
7	Stem Seat	PTFE	
8	Packing Nut	Brass CW614N-UNI EN 12165/98	
9	Handle	Steel	PVC-Plastic Coated
10	Nut	Steel	Zinc Plated

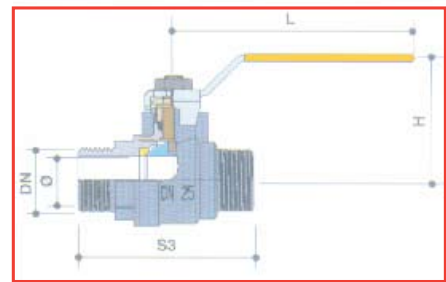
1/4" - 2" Details only - 2 1/2" - 4" Details on Request



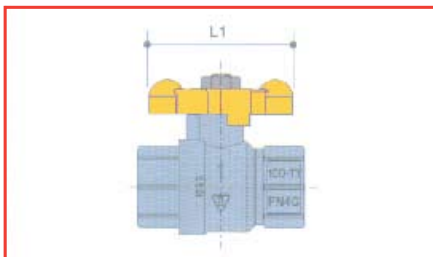
Art 45



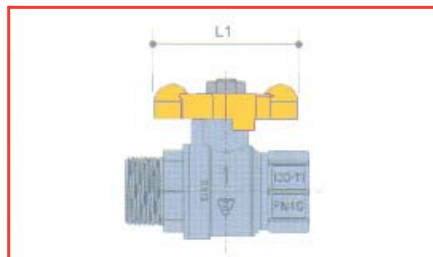
Art 46



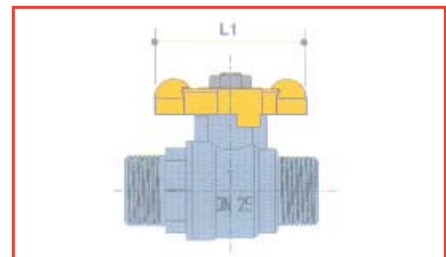
Art 47



Art 45/A



Art 46/A



Art 47/A

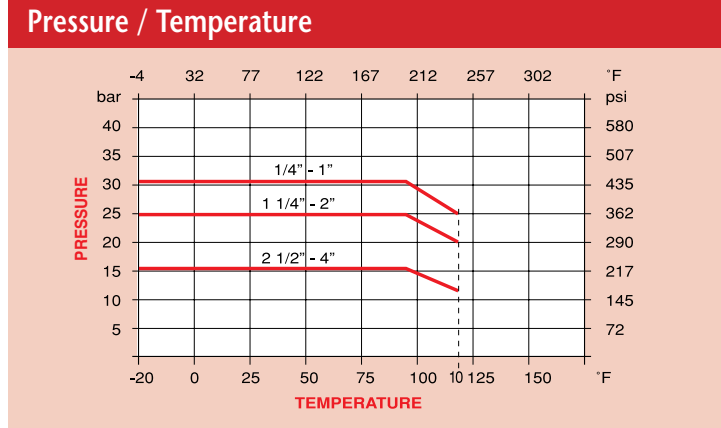
Dimensions in mm

This data sheet is designed as a guide and should not be regarded as wholly accurate in every detail. We reserve the right to amend the specification of any product without notice.

## PN32 Brass Ball Valve

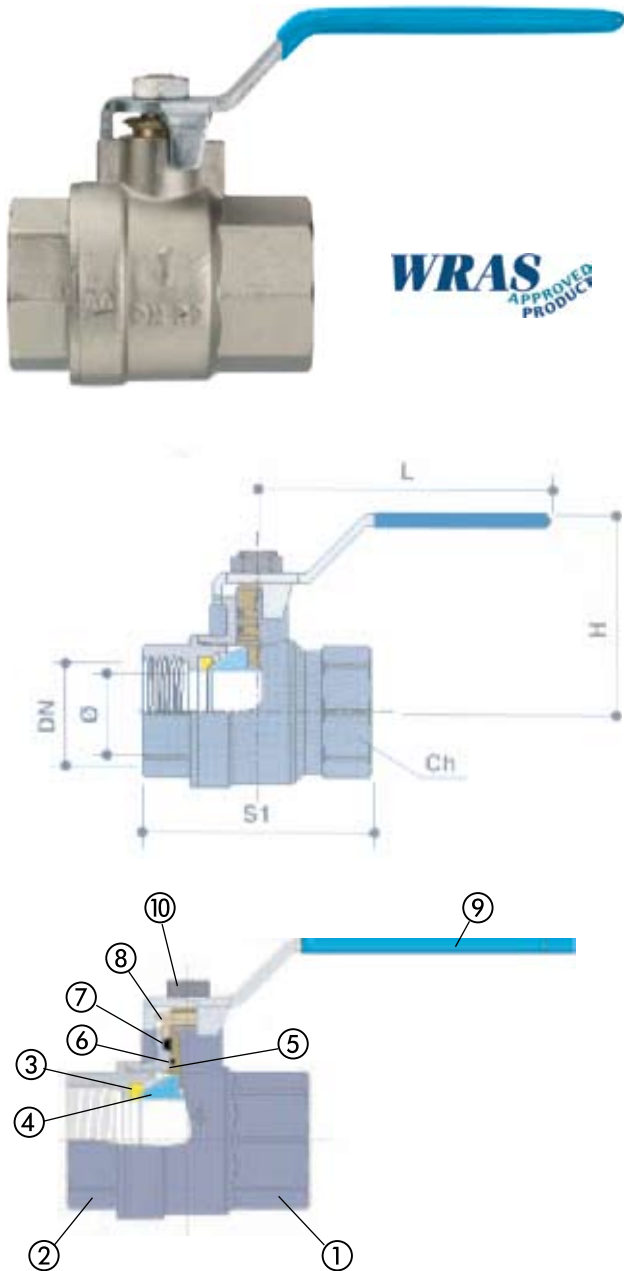
### Features

- Screwed BSP Parallel
- PTFE seat
- Anti Blow Out Stem
- Full Bore



Technical Data	1/4" - 1"	1 1/4" - 2"	2 1/2" - 4"
Max Pressure	32 bar	25 bar	16 bar
Working Temperature	-10°C to +110°C	-10°C to +110°C	-10°C to +110°C

N.	Part Name	Materials	Treatment
1	Body	Brass	Nickel plated
2	Body End	Brass	Nickel plated
3	Seat	PTFE	
4	Ball	Brass	Chrome plated
5	Stem	Brass	
6	O Ring	NBR	
7	Seal	PTFE	
8	Packing Nut	Brass	
9	Handle	Steel	PVC-Plastic Coated
10	Nut	Steel	Zinc Plated



DN	1/4"	3/8"	1/2"	3/4"	1"	1 1/4"	1 1/2"	2"	2 1/2"	3"	4"
ø	10.5	10.5	15	20	25	32	40	50	61	74	95
S1	41.5	43.5	48	58	69	80	91	108	130	150	182
H	39.5	39.5	42	44	57	61	72	77	120	127	135
L	80	80	90	90	105	105	150	150	240	240	250
Ch	17.5	20.5	25	31	38	47	54	66	84	96	123
Kgs	0.12	0.12	0.19	0.28	0.41	0.60	0.97	1.43	2.98	3.91	6.93

Dimensions in mm

This data sheet is designed as a guide and should not be regarded as wholly accurate in every detail. We reserve the right to amend the specification of any product without notice.

## PN25 Brass Ball Valve

### Features

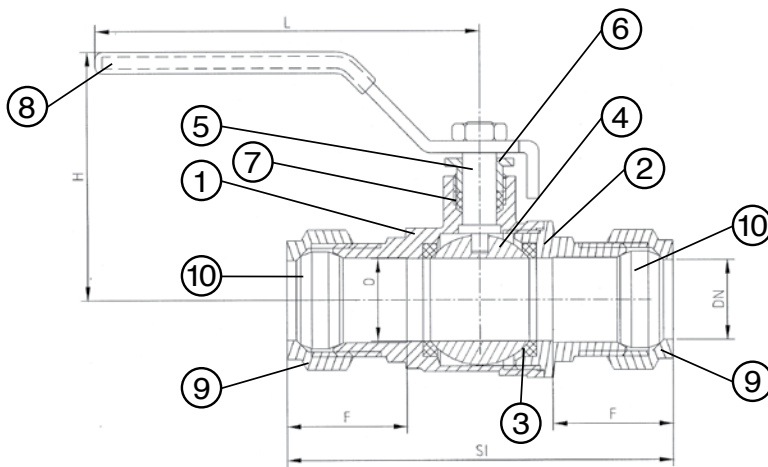
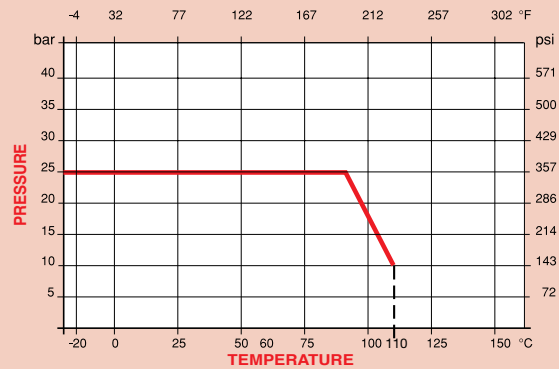
- Compression Ends
- PTFE seats & Seals
- Anti Blow Out Stem
- Full Bore



### Technical Data

Max Pressure 25 bar  
 Working Temperature -10°C to +110°C

### Pressure / Temperature

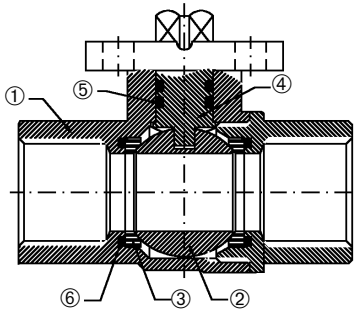
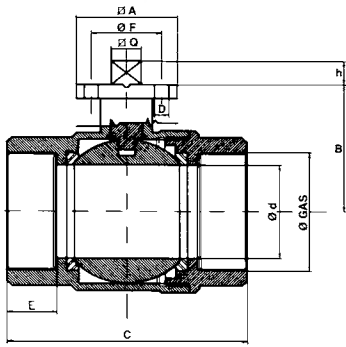


N.	Part Name	Materials	Treatment
1	Body	Brass CW617N-UNI EN 12165/98	Nickel plated
2	Body End	Brass CW617N-UNI EN 12165/98	Nickel plated
3	Seat	PTFE	
4	Ball	Brass CW617N-UNI EN 12165/98	Nickel plated
5	Stem	Brass CW614N-UNI EN 12165/98	
6	Packing Nut	Brass CW614N-UNI EN 12165/98	
7	Packing	PTFE	
8	Handle	Steel	PVC Coated
9	Compression Nut	Brass	Zinc Plated
10	Olive	Brass	Zinc Plated

DN	15mm	22mm	28mm	35mm	42mm	54mm
∅	14.5	19	24.5	31.5	39.5	49.5
F	18.75	20.25	22	24	28	32
S1	70.5	80	91.5	109	123	150
H	52.5	54.5	69	78	86	100
L	83	93	124	133	133	158
Kgs	0.25	0.40	0.60	0.90	1.20	2.33

Dimensions in mm

This data sheet is designed as a guide and should not be regarded as wholly accurate in every detail. We reserve the right to amend the specification of any product without notice.

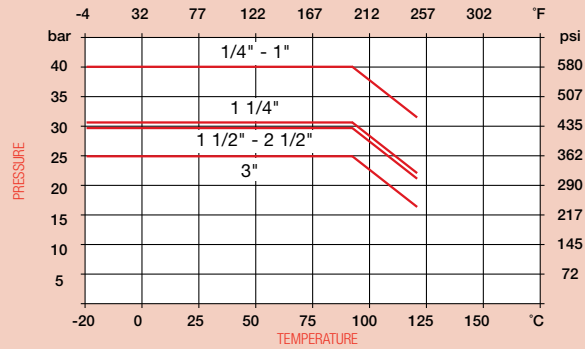


## PN40 Brass Ball Valve

### Features

- Screwed BSP Parallel
- PTFE seats & Seals
- ISO Top Direct Mount
- Low Torque

### Pressure / Temperature



### N. Part Name Materials

N.	Part Name	Materials
1	Body	Brass
2	Ball	Brass Chrome Plated
3	Seat	PTFE
4	Stem	Brass
5	O Ring	Viton
6	O Ring	Viton

### Technical Data

	1/4" - 1"	1 1/4"	1 1/2" - 2 1/2"	3"
Max Pressure	40 bar	32 bar	30 bar	25 bar
Working Temperature	-20°C to +120°C	-20°C to +120°C	-20°C to +120°C	-20°C to +120°C

DN	1/4"	3/8"	1/2"	3/4"	1"	1 1/4"	1 1/2"	2"	2 1/2"	3"
d	15	15	15	20	25	32	38	47	64	78
A	38x38	38x38	38x38	38x38	50x50	50x50	50x50	50x50	70x70	70x70
B	29	29	29	32	36	41	57	64	90	100
C	65	65	65	75	86	95	101	120	165	188
D n°4 Hole	6	6	6	6	7	7	7	7	8.5	8.5
E	17	17	17	19	21	22	22	25	34	37
F	F03	F03	F03	F03	F03/F05	F03/F05	F03/F05	F03/F05	F07	F07
h	6	6	6	7	11	10	12	11	15	15
Q ■	9x9	9x9	9x9	9x9	9x9	9x9	11x11	11x11	14x14	14x14
Torque (Nm)	3	3	3	4	4	7	9	12	15	15
Kgs	0.34	0.31	0.28	0.48	0.71	0.94	0.94	1.96	3.00	5.90

Torque calculated at 16 bar water includes 25% safety add 25% for dry duty

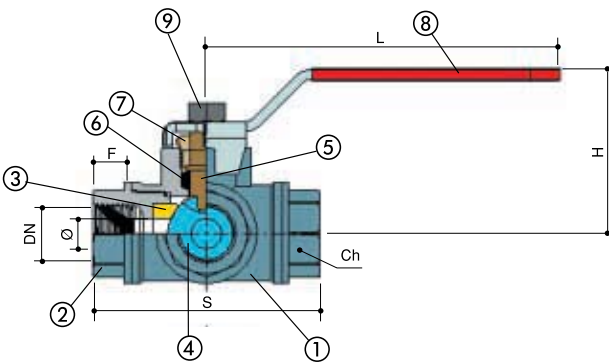
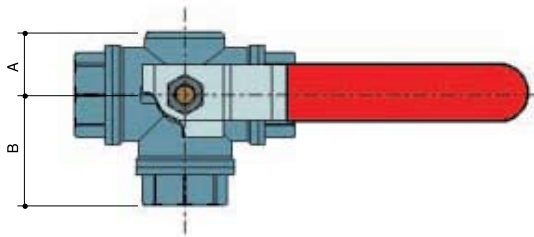
Dimensions in mm

This data sheet is designed as a guide and should not be regarded as wholly accurate in every detail. We reserve the right to amend the specification of any product without notice.

## PN32 Brass 3 Way Ball Valve

### Features

- Screwed BSP Parallel
- PTFE Seats & Seals
- Reduced Bore
- L & T Port

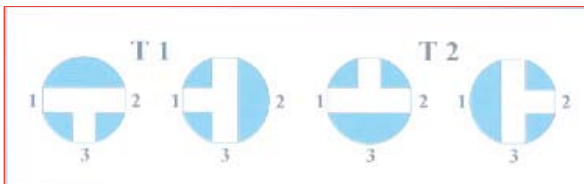


ART 70



ositions

ART 71

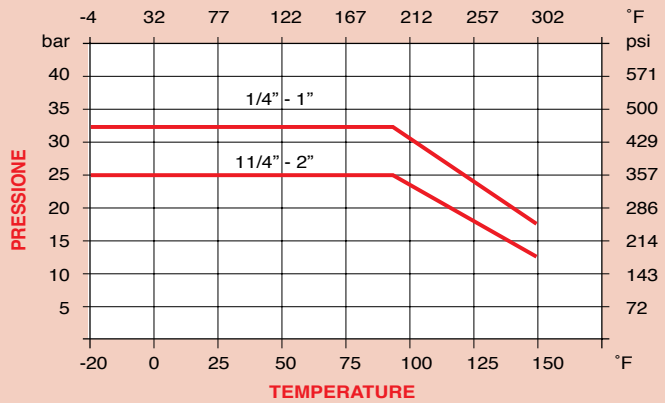


Ball Positions

Dimensions in mm

This data sheet is designed as a guide and should not be regarded as wholly accurate in every detail. We reserve the right to amend the specification of any product without notice.

### Pressure / Temperature



DN	1/4"	3/8"	1/2"	3/4"	1"	1 1/4"	1 1/2"	2"
A	75	75	75	85	103	114	130	160
B	40	40	40	54	60	69	90	101
C	7	7	7	11	11	11	15	15
E	59	59	59	67	81	96	108	135
Ch	27	27	27	32	40	50	55	69
L	9	9	9	11	11	11	14	14
ø	36	36	36	50	50	50	70	70
Torque	7	8	10	17	19	21	30	33
Kgs	0.69	0.73	0.82	1.04	1.74	2.70	4.32	8.37

### Technical Data

Working Pressure 1/4"-1" 32 bar 1 1/4"-2" 25 bar  
 Working Temperature -20°C to +150°C

N. Part Name	Materials	Treatment
1 Body	Brass CW617N-UNI EN 12165/98	Nickel plated
2 Body End	Brass CW617N-UNI EN 12165/98	Nickel plated
3 Seat	PTFE	
4 Ball	Brass CW617N-UNI EN 12165/98	Nickel plated
5 Stem	Brass CW614N-UNI EN 12165/98	
6 Stem Seat	PTFE	
7 Packing Nut	Brass CW614N-UNI EN 12165/98	
8 Handle	Steel	PVC Coated
9 Nut	Steel	Zinc Plated

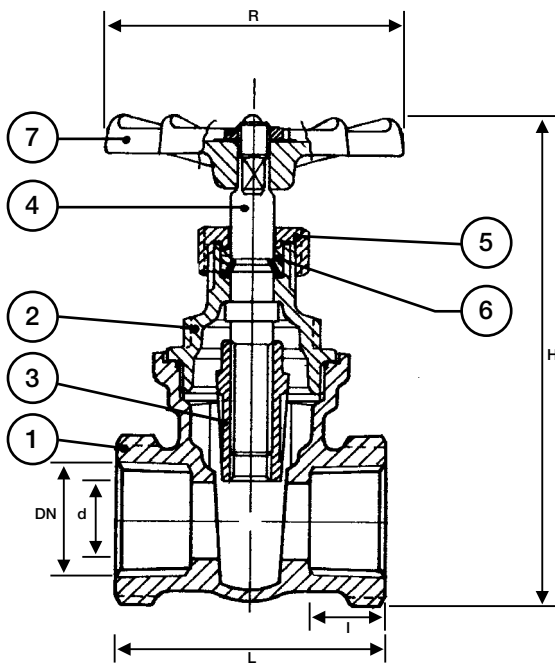
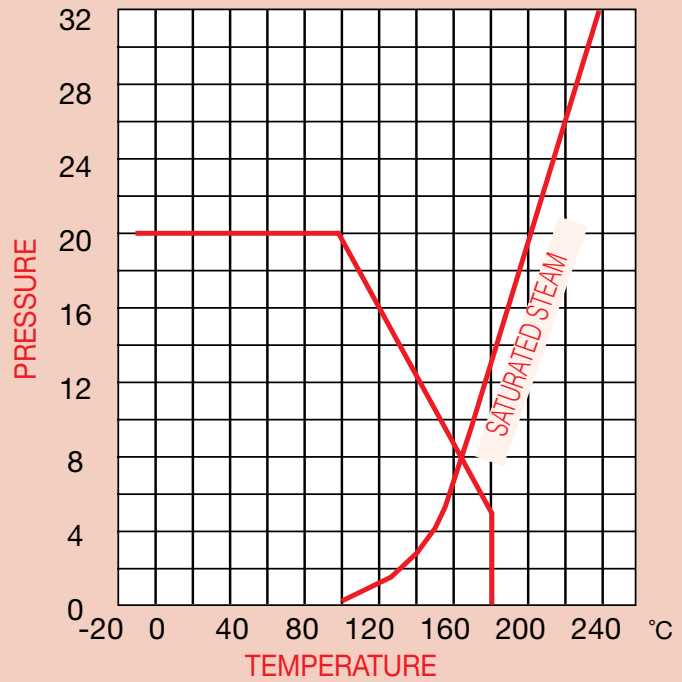


## PN20 Brass Gate Valve

### Features

- Screwed BSP Taper
- BS5154
- Full Bore

### Pressure / Temperature



DN	1/2"	3/4"	1"	1 1/4"	1 1/2"	2"
d	13	19.1	25.4	32	38.2	51
H	65	88	98	115	135	165
l	14	15	18	21	21	26
L	47	54	62	70	74	86
R	50	60	70	75	80	90
Kgs	0.23	0.39	0.57	0.97	1.27	2.15

### Technical Data

Max Pressure	20 bar
Working Temperature	-20°C to +180°C

N.	Part Name	Materials
1	Body	Brass
2	Bonnet	Brass
3	Wedge	Brass
4	Stem	Brass
5	Gland nut	Brass
6	Stem Packing	PTFE
7	Handwheel	Aluminium

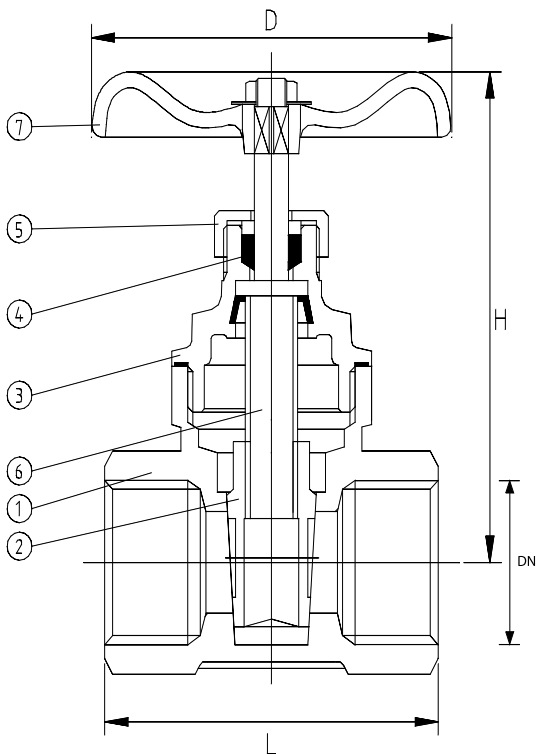
Dimensions in mm

This data sheet is designed as a guide and should not be regarded as wholly accurate in every detail. We reserve the right to amend the specification of any product without notice.

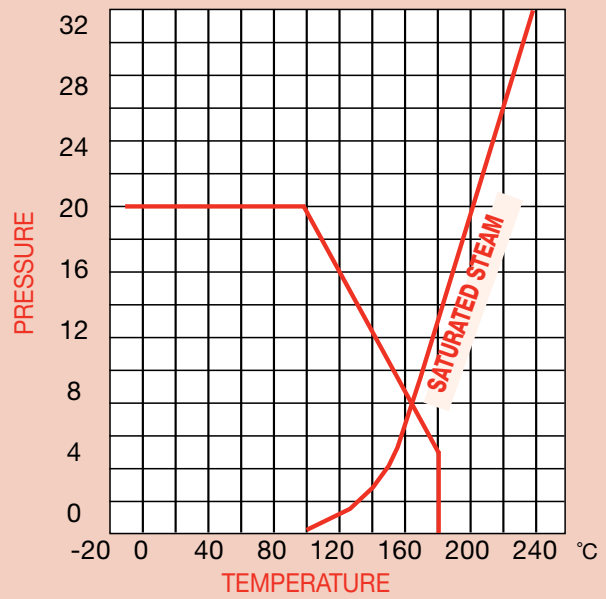
## PN20 Brass Gate Valve

### Features

- Screwed BSP Taper
- BS5154
- Brass Body & Wedge



### Pressure / Temperature



DN	1/2"	3/4"	1"	1 1/4"	1 1/2"	2"	2 1/2"	3"	4"
L	43	46	52	65	66	82.5	88	91	110
H	72.1	76.7	87.6	103	113.7	147.7	163.5	190	235
D	55	55	60	72	72	80	100	110	130
Kgs	0.25	0.33	0.45	0.71	0.93	1.44	2.48	3.14	5.71

N.	Part Name	Materials
1	Body	Brass
2	Wedge	Brass
3	Bonnet	Brass
4	Stem Packing	PTFE
5	Gland nut	Brass
6	Stem	Brass
7	Handwheel	Cast Iron

Technical Data	
Max Pressure	20 bar
Working Temperature	-10°C to +180°C

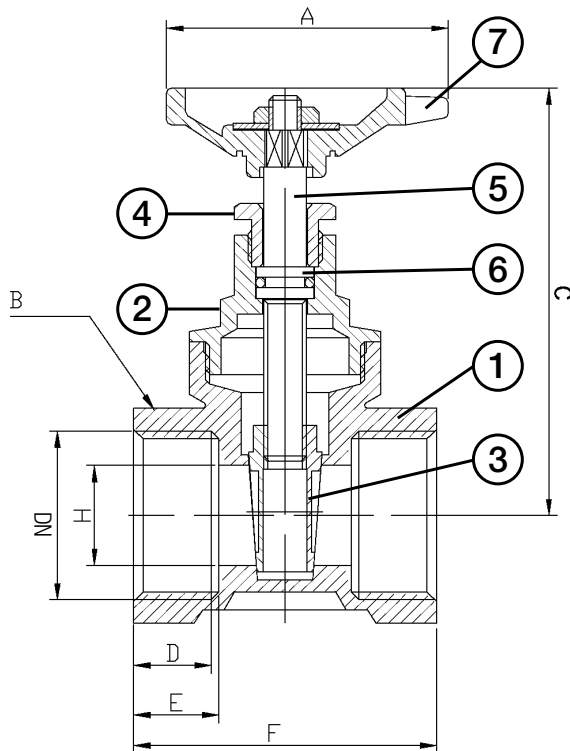
Dimensions in mm

This data sheet is designed as a guide and should not be regarded as wholly accurate in every detail. We reserve the right to amend the specification of any product without notice.

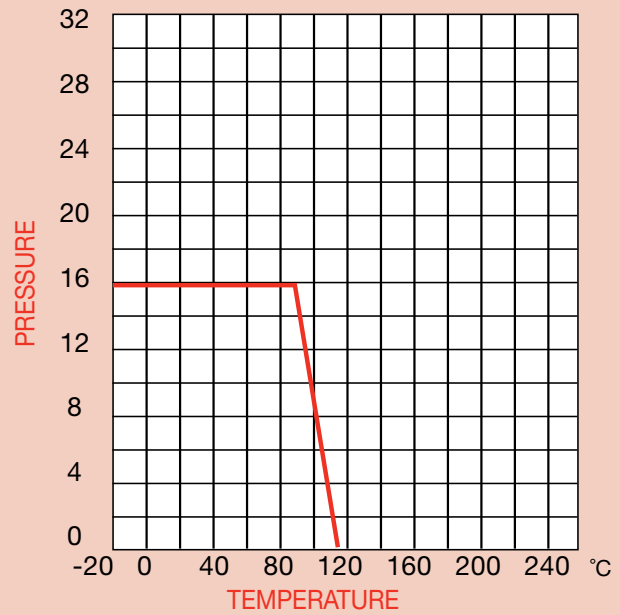
## PN16 Brass Gate Valve

### Features

- Screwed BSP Parallel
- Brass Body & Wedge



### Pressure / Temperature



DN	1/4"	3/8"	1/2"	3/4"	1"	1 1/4"	1 1/2"	2"
A	55	55	55	55	60	70	70	80
B	24	24	24	31	37	47	54.5	65
C	65	65	65	66	70	98	10.5	122
D	10	10	10.5	11	12	12	14	14
E	11	11	11	11.5	12.5	13	15	15
F	39	39	39	41	47	51	58	58
H	11	12	13	13	19	25	31	37
Kgs	0.15	0.15	0.18	0.21	0.30	0.54	0.71	0.96

N.	Part Name	Materials
1	Body	Brass
2	Bonnet	Brass
3	Wedge	Brass
4	Gland nut	Brass
5	Stem	Brass
6	Stem Packing	PTFE
7	Handwheel	Cast Iron

### Technical Data

Max Pressure	16 bar
Working Temperature	-10°C to +110°C

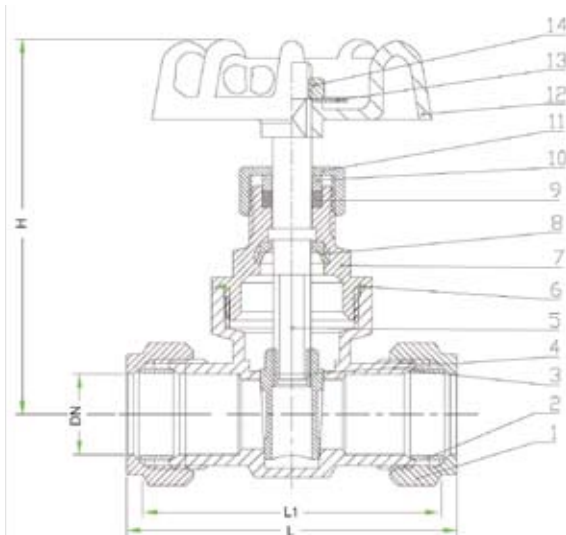
Dimensions in mm

This data sheet is designed as a guide and should not be regarded as wholly accurate in every detail. We reserve the right to amend the specification of any product without notice.

## PN16 Brass Gate Valve

### Features

- Compression Ends • BS5154
- Brass Body & Wedge

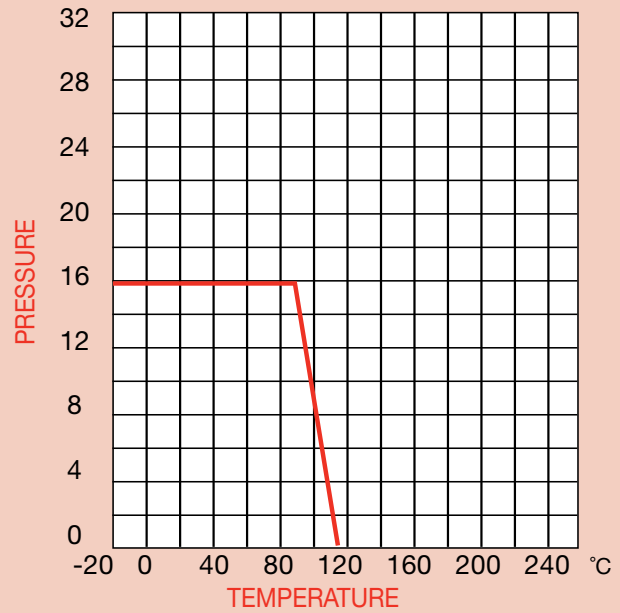


Technical Data	
Max Pressure	16 bar
Working Temperature	-10°C to +110°C

Dimensions in mm

This data sheet is designed as a guide and should not be regarded as wholly accurate in every detail. We reserve the right to amend the specification of any product without notice.

### Pressure / Temperature



DN	15mm	22mm	28mm	35mm	42mm	54mm
L	59	68	76	95	104	119
L1	48	48	58	77	77	99
H	67	78	90	130	145	172
Kgs	0.25	0.37	0.58	1.04	1.35	2.23

N.	Part Name	Materials
1	Compression Nut	Brass
2	Olive	T2
3	Body	Brass
4	Wedge	Brass
5	Stem	Brass
6	Seat	PTFE
7	Bonnet	Brass
8	Lock Ring	Brass
9	Packing	PTFE
10	Packing Gland Washer	Brass
11	Packing Gland Nut	Brass
12	Handle Wheel	Iron
13	Name Plate	Aluminium
14	Nut	Brass

## PN16 Brass Swing Check Valve

### Features

- Screwed BSP Parallel
- Metal Seat
- Brass Body

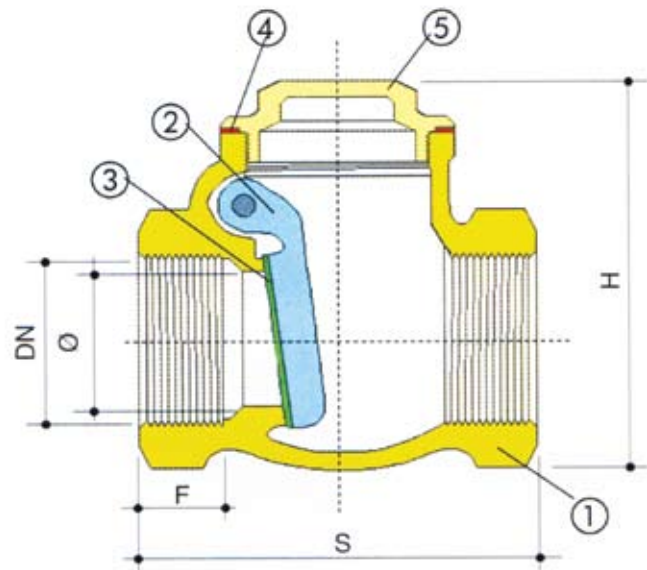


N.	Part Name	Materials
1	Body	Brass CW617N - UNI EN 12165/98
2	Disc	Brass CW617N - UNI EN 12165/98
4	Gasket	PTFE
5	Plug	Brass CW617N - UNI EN 12165/98

Technical Data	
Max Pressure	16 bar
Working Temperature	0°C to +90°C

DN	1/2"	3/4"	1"	1 1/4"	1 1/2"	2"	2 1/2"	3"	4"
ø	15	20	25	32	40	50	65	80	90
F	11	13	15	15	17	18	19	20	25
S	55	68	75	96	105	125	146	170	210
H	40	48	50	68	70	90	105	125	155
Kgs	0.19	0.35	0.48	0.54	0.86	0.98	1.45	2.30	5.21

### ART 884 RUBBER SEAT OPTION



## PN16 Brass Spring Check Valve

### Features

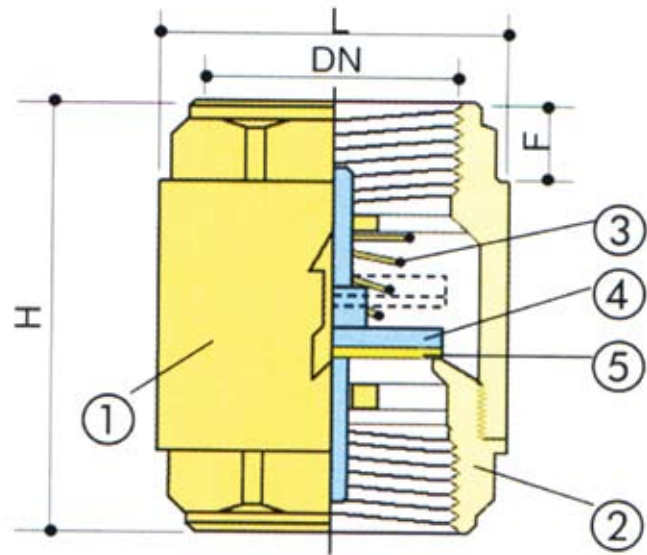
- Screwed BSP Parallel
- Brass Body
- Acetal Disc
- Stainless Steel Spring



DN	3/8"	1/2"	3/4"	1"	1 1/4"	1 1/2"	2"	2 1/2"	3"	4"
F	12	12	14	15	14	15	14	16	18	20
L	29	30	37	44	56	63	78	103	120	155
H	46	48	53	59	66	71	80	93	104	119
Kgs	0.08	0.10	0.15	0.24	0.35	0.43	0.75	1.28	1.79	2.90

N.	Part Name	Materials
1	Body	Brass CW617N - UNI EN 12165/98
2	Body End	Brass CW617N - UNI EN 12165/98
3	Spring	Stainless Steel AISI302
4	Disc	Acetal Copolymer
5	Gasket	NBR

Technical Data	
Max Pressure	3/8"-1" 16 bar 1 1/4"-2" 10 bar 2 1/2"-4" 8 bar
Working Temperature	0°C to +90°C





## PN16 Brass Y Strainer

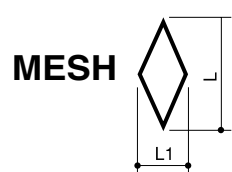
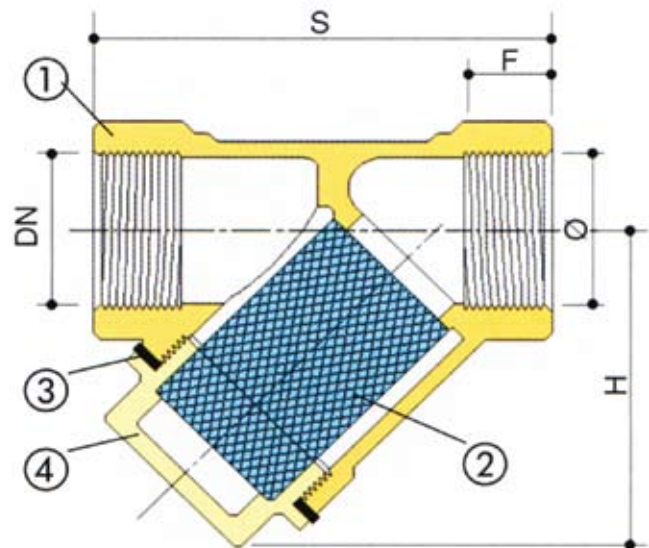
### Features

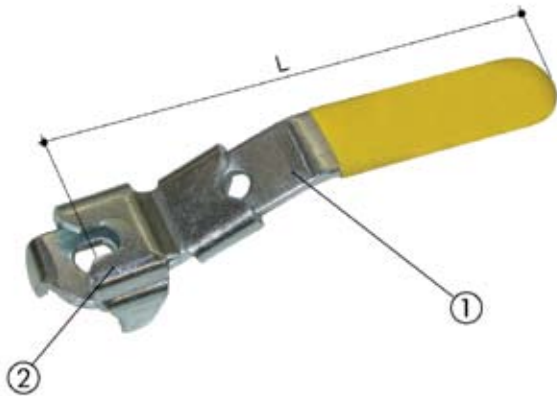
- Screwed BSP Parallel
- Stainless Steel Mesh
- Brass Body

DN	1/4"	3/8"	1/2"	3/4"	1"	1 1/4"	1 1/2"	2"	2 1/2"	3"	4"
ø	8	10	15	20	25	32	40	50	65	80	90
F	10	10	11	13	15	15	17	18	19	20	25
S	46	46	55	68	75	96	105	125	146	170	210
H	33	33	40	48	50	68	70	90	105	125	155
Kgs	0.01	0.01	0.13	0.21	0.31	0.64	0.79	1.44	2.00	3.20	6.40
Mesh	0.5	0.5	0.5	0.5	0.5	0.5	0.5	0.5	1.5	1.5	1.5
L	2	2	2	2	2	2	2	2	3	3	3
L1	1	1	1	1	1	1	1	1	1.5	1.5	1.5
flow cm <sup>2</sup>	34	34	34	34	34	34	34	34	21	21	21

N.	Part Name	Materials
1	Body	Brass CW617N - UNI EN 12165/98
2	Filter	Stainless Steel AISI304
3	Gasket	PTFE
4	Plug	Brass CW617N - UNI EN 12165/98

Technical Data	
Max Pressure	16 bar
Working Temperature	-10°C to +90°C





## Albion 257 Locking Device

N.	Part Name	Materials	Treatment
1	Handle	Steel	Nickel plated
2	Slide Device	Steel	Nickel plated

Choice of Handle								
Series	1/4"	3/8"	1/2"	3/4"	1"	1 1/4"	1 1/2"	2"
45-46-47	M	M	1A	1A	2A	2A	3A	3A
54	-	-	M	M	1A	1A	2A	2A

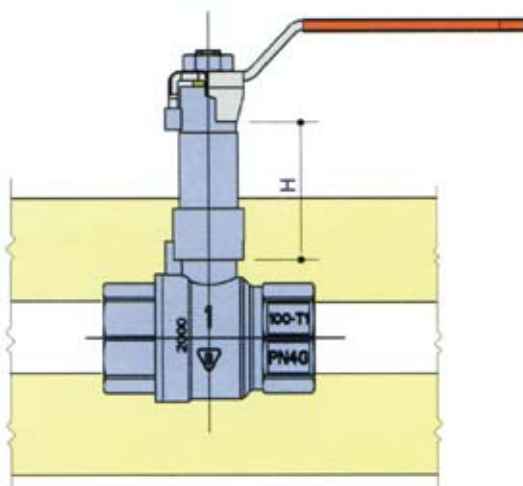
	M	1A	2A	3A
L	90	120	140	150



## Albion 97 Thermal Extension

N.	Part Name	Materials	Treatment
1	Extension	Brass CW614N	Nickel plated
2	Stem	Brass CW614N	
3	Screw	Steel	

	M	1a	2a	3a	4a	5a
H	42	44	52	60	78	86



DN	1/4"	3/8"	1/2"	3/4"	1"	1 1/4"	1 1/2"	2"	2 1/2"	3"	4"
Art 45T	M	M	1a	1a	2a	2a	3a	3a	5a	5a	5a
Art 45P	M	M	1a	1a	2a	2a	3a	3a	4a	4a	5a

**AM BION**

Distributor