

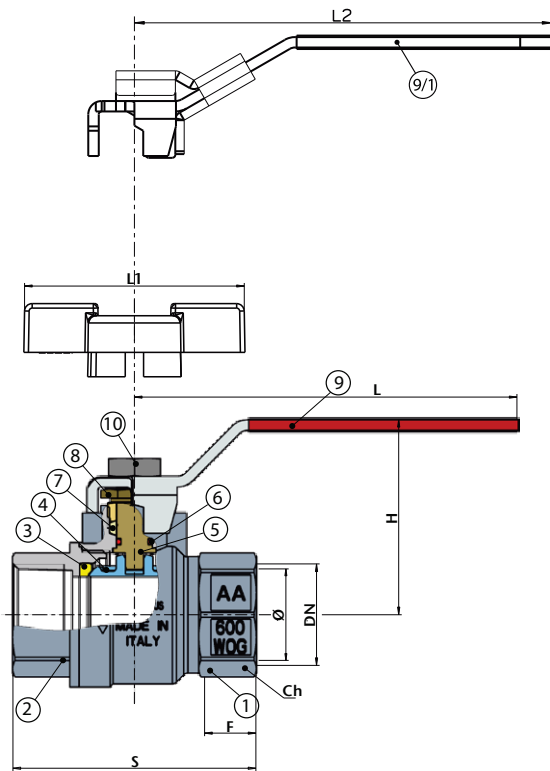
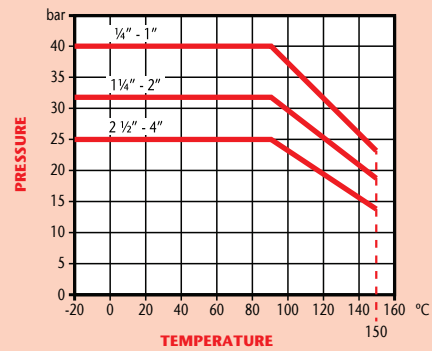


PN40 Brass Ball Valve

Features

- Screwed NPT
- PTFE Seats & Seals
- Anti-Blow Out Stem
- Full Bore
- Locking Lever & Tee Handle Options Available
- Complies to SA, UL & FM

Pressure / Temperature



DN	1/4"	3/8"	1/2"	3/4"	1"	1 1/4"	1 1/2"	2"	2 1/2"	3"	4"
Ø	10	10	15	20	25	32	40	50	61	74	95
F	12	12	16	17	19,5	21	21	22	27,5	30,5	38
S	45	45	60	67	80	89	98	112	140	159	196
H	41	41	54	58	66	71	80	88	131	140	156
L	80	80	90	90	125	125	140	140	250	250	250
L1	52	52	62	62	72						
L2	95	95	120	120	150	150	160	160			
Ch	21	21	26	31	38	48	55	68	85	99	125
Kgs	0.14	0.14	0.26	0.37	0.57	0.84	1.46	2.09	4.30	6.00	9.25

Technical Data

Max Pressure	1/4"-1"	40 Bar
	1 1/4"-2"	32 Bar
	2 1/2"-4"	25 Bar
Working Temperature	-20°C to +150°C	

N.	Part Name	Materials
1	Body	Brass/Nickel Plated
2	Body End	Brass/Nickel Plated
3	Seat	PTFE
4	Ball	Brass/Chrome Plated
5	Stem	Brass
6	'O' Rings	FP
7	Stem Seat	PTFE
8	Packing Nut	Brass
9	Lever	Steel/PVC-Plastic Coated
9/1	Lockable Lever	Steel/PVC-Plastic Coated
10	Nut	Steel/Zinc Plated

Dimensions in mm

This data sheet is designed as a guide and should not be regarded as wholly accurate in every detail. We reserve the right to amend the specification of any product without notice.