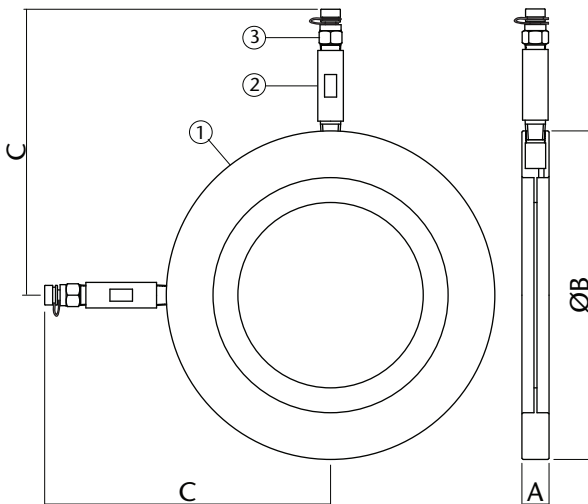
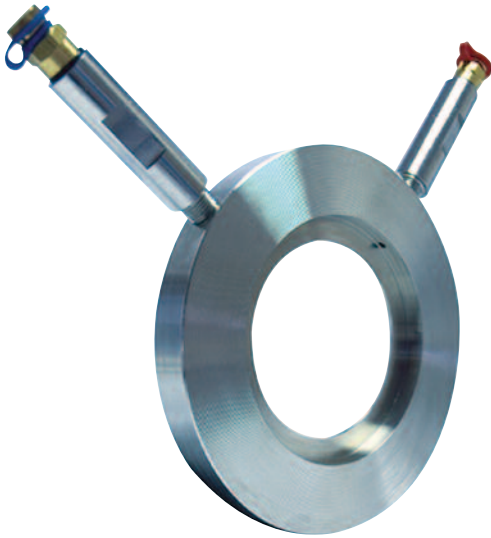


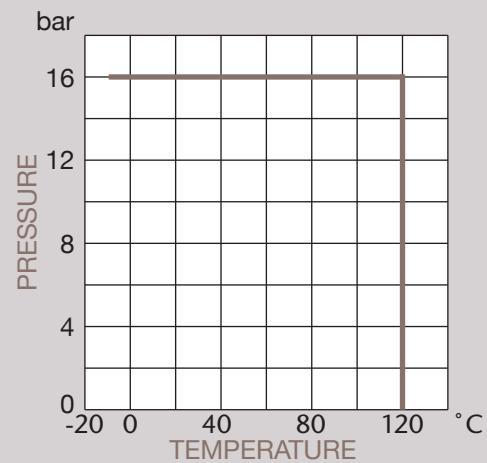
PN16 Stainless Steel Metering Station

Features

- Wafer pattern
- Fits between BS EN 1092 flanges PN16
- Flow characteristic confirmed to BS 7350
- Fixed orifice with $\pm 5\%$ flow measurement accuracy
- Can be close coupled to a double regulating valve
- Supplied with 2 extensions and test points



Pressure / Temperature



N.	Part Name	Materials
1	Body	304 Stainless Steel
2	Extension	304 Stainless Steel
3	Pressure Test Point	Brass

Technical Data

Max Pressure	16 bar
Working Temperature	-10°C to 120°C

DN	50	65	80	100	125	150	200	250	300
A	20	20	20	20	20	20	20	20	20
B	108	125	144	164	194	220	275	333	385
C	136	145	154	164	179	192	219	248	304
kgs	1.4	1.9	2.2	2.4	3.1	3.4	4.7	6	8