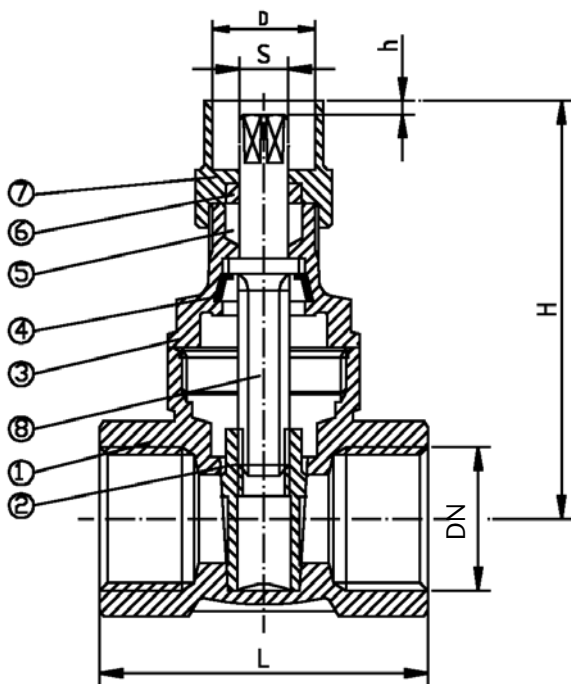


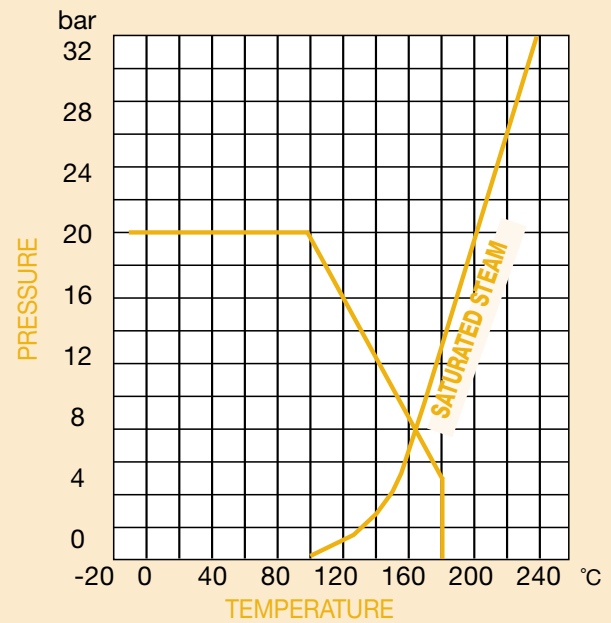
PN20 DZR Brass Gate Valve

Features

- Screwed BSP Taper
- DZR Brass Body & Wedge
- Lock Shield
- BS5154



Pressure / Temperature



DN	1/2"	3/4"	1"	1 1/4"	1 1/2"	2"
L	43	46	52	65	66	82.5
H	63.5	67.3	68.9	87.7	96.7	114.5
S	6.3	6.3	6.3	6.3	8.0	8.0
h	4.5	4.5	4.5	4.5	4.5	4.5
D	Ø15	Ø15	Ø15	Ø16.5	Ø19.5	Ø19.5
Kgs	0.20	0.27	0.39	0.59	0.83	1.31

N.	Part Name	Materials
1.	Body	DZR Brass
2.	Wedge	DZR Brass
3.	Bonnet	DZR Brass
4.	Lock Nut	Brass
5.	Stem Packing	PTFE
6.	Gland	Brass
7.	Packing Nut	Brass
8.	Stem	DZR Brass

Technical Data

Max Pressure	20 bar
Working Temperature	-10°C to +180°C

Dimensions in mm

This data sheet is designed as a guide and should not be regarded as wholly accurate in every detail. We reserve the right to amend the specification of any product without notice.