

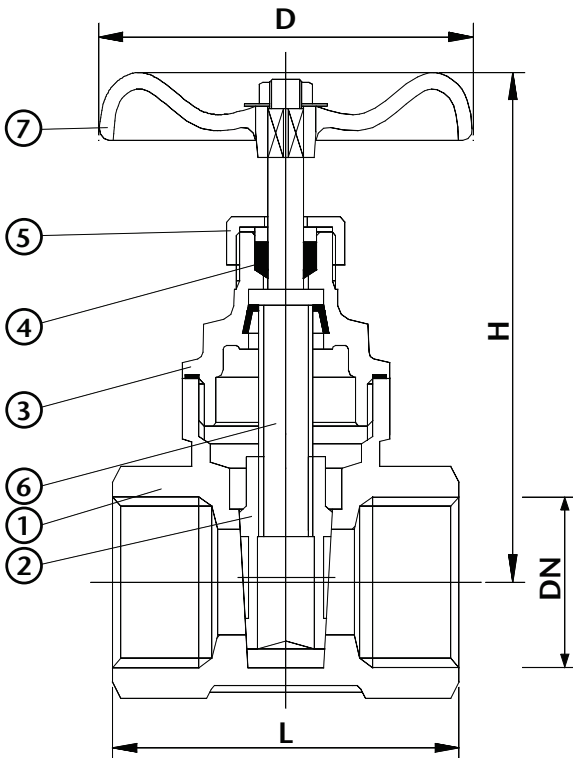
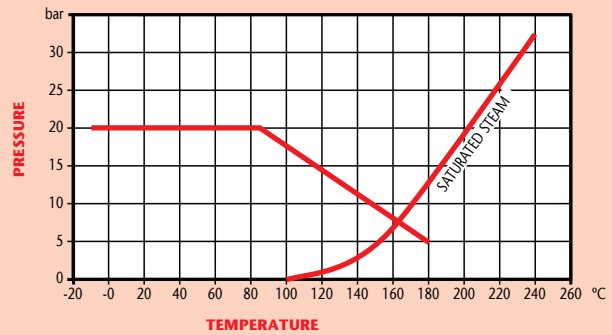
PN20 Brass Gate Valve

Features

- Screwed BSP Taper
- Brass Body & Wedge
- BS5154



Pressure / Temperature



DN	1/2"	3/4"	1"	1 1/4"	1 1/2"	2"	2 1/2"	3"	4"
L	43	46	52	65	66	82.5	94	103	119.5
H	72.1	76.7	87.6	103	113.7	147.7	163.5	190	235
D	55	55	60	72	72	80	100	110	130
Kgs	0.25	0.31	0.42	0.71	0.92	1.42	2.55	3.22	5.76

Technical Data

Max Pressure	20 Bar
Working Temperature	-10°C to +180°C

N.	Part Name	Materials
1	Body	Brass
2	Wedge	Brass
3	Bonnet	Brass
4	Stem Packing	PTFE
5	Gland nut	Brass
6	Stem	Brass
7	Handwheel	Cast Iron

Dimensions in mm

This data sheet is designed as a guide and should not be regarded as wholly accurate in every detail. We reserve the right to amend the specification of any product without notice.