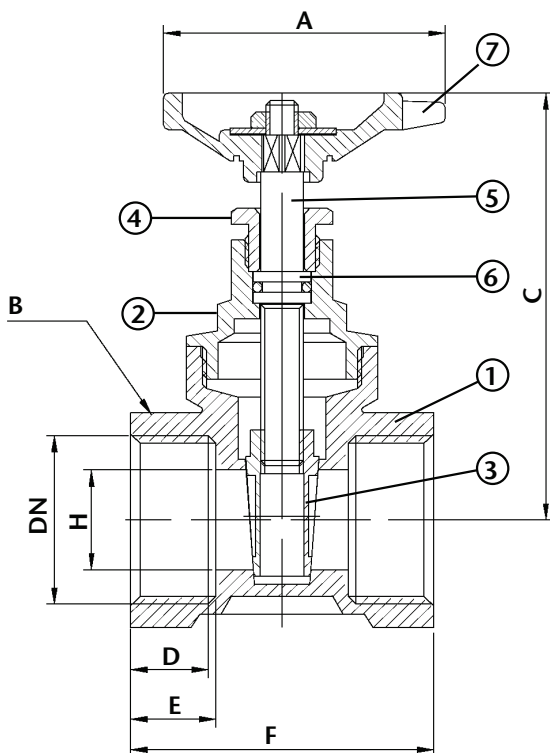


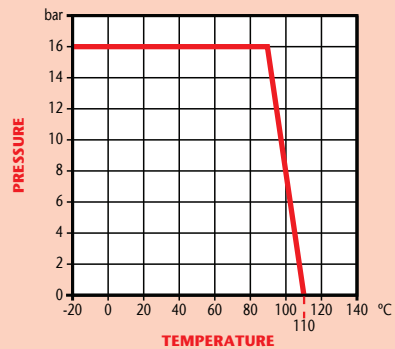
PN16 Brass Gate Valve

Features

- Screwed BSP Parallel
- Brass Body & Wedge



Pressure / Temperature



| DN | 1/4" | 3/8" | 1/2" | 3/4" | 1" | 1 1/4" | 1 1/2" | 2" |
|-----|------|------|------|------|------|--------|--------|------|
| A | 55 | 55 | 55 | 55 | 60 | 70 | 70 | 80 |
| B | 24 | 24 | 24 | 31 | 37 | 47 | 54.5 | 65 |
| C | 65 | 65 | 65 | 66 | 70 | 98 | 10.5 | 122 |
| D | 10 | 10 | 10.5 | 11 | 12 | 12 | 14 | 14 |
| E | 11 | 11 | 11 | 11.5 | 12.5 | 13 | 15 | 15 |
| F | 39 | 39 | 39 | 41 | 47 | 51 | 58 | 58 |
| H | 11 | 12 | 13 | 15 | 19 | 25 | 31 | 37 |
| Kgs | 0.15 | 0.15 | 0.20 | 0.26 | 0.36 | 0.53 | 0.73 | 0.96 |

Technical Data

| | |
|---------------------|-----------------|
| Max Pressure | 16 Bar |
| Working Temperature | -20°C to +110°C |

| N. | Part Name | Materials |
|----|--------------|-----------|
| 1 | Body | Brass |
| 2 | Body End | Brass |
| 3 | Wedge | Brass |
| 4 | Gland nut | Brass |
| 5 | Stem | Brass |
| 6 | Stem Packing | PTFE |
| 7 | Handwheel | Cast Iron |

Dimensions in mm

This data sheet is designed as a guide and should not be regarded as wholly accurate in every detail. We reserve the right to amend the specification of any product without notice.