



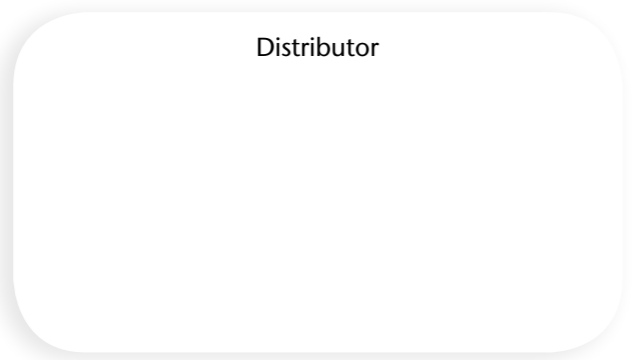
# DZR Brass Valves



Product information



Distributor



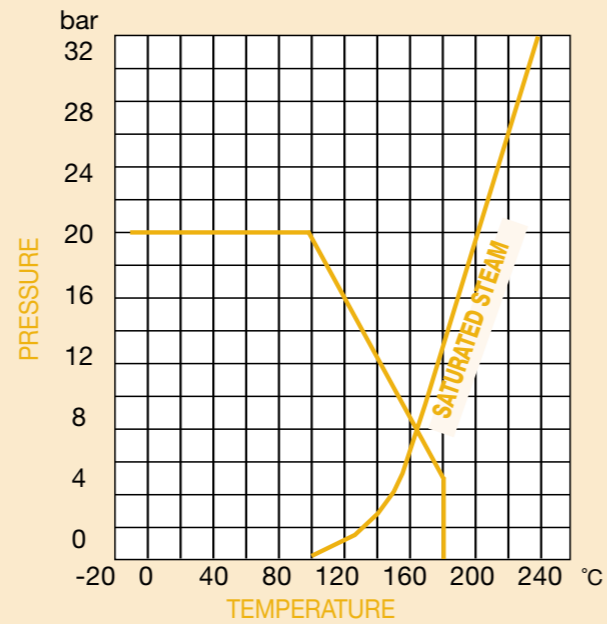
## PN20 DZR Brass Gate Valve

### Features

- Screwed BSP Taper
- DZR Brass Body & Wedge
- Cast Hand Wheel
- BS5154

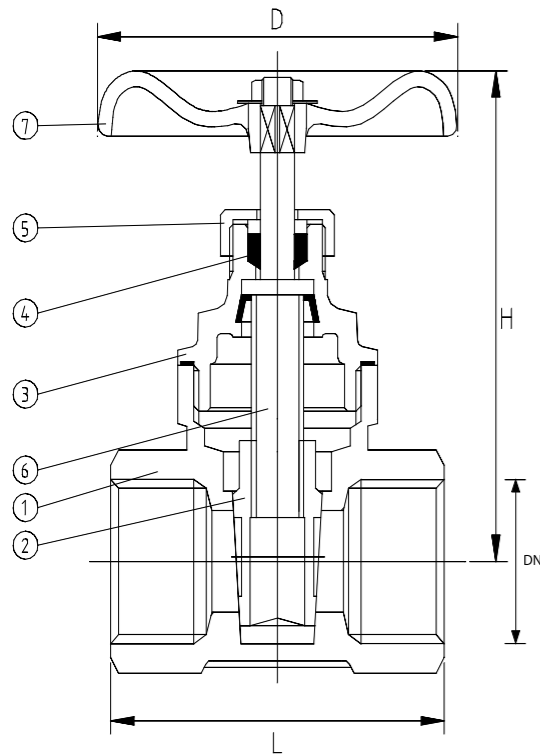


### Pressure / Temperature



DN	1/2"	3/4"	1"	1 1/4"	1 1/2"	2"
L	43	46	52	65	66	82.5
H	72.1	76.7	87.6	103	113.7	147.7
D	55	55	60	72	72	80
Kgs	0.25	0.33	0.45	0.71	0.93	1.44

N.	Part Name	Materials
1	Body	DZR Brass
2	Wedge	DZR Brass
3	Bonnet	DZR Brass
4	Stem Packing	PTFE
5	Gland Nut	Brass
6	Stem	DZR Brass
7	Hand Wheel	Cast Iron



### Technical Data

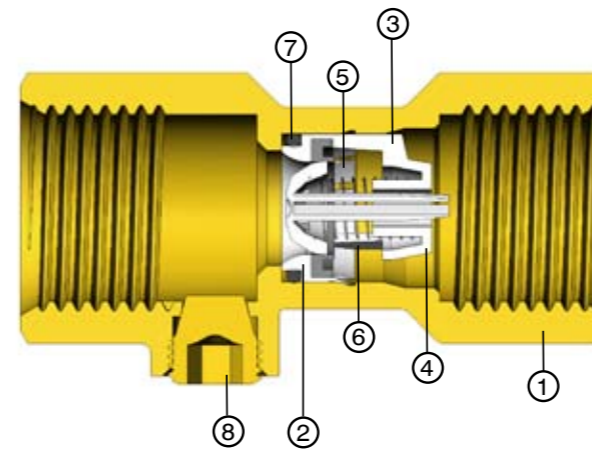
Max Pressure	20 bar
Working Temperature	-10°C to +180°C

Dimensions in mm  
This data sheet is designed as a guide and should not be regarded as wholly accurate in every detail. We reserve the right to amend the specification of any product without notice.

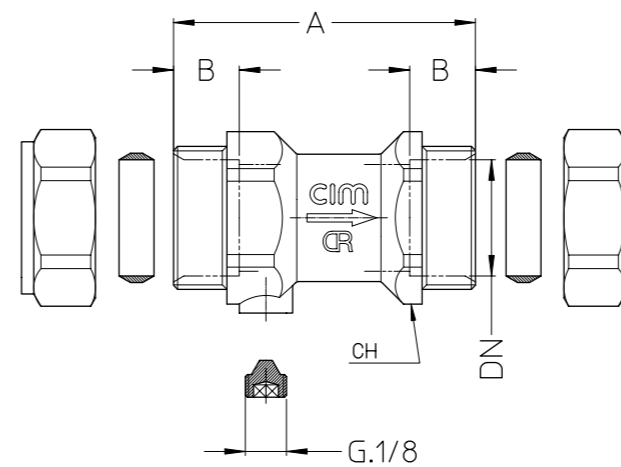
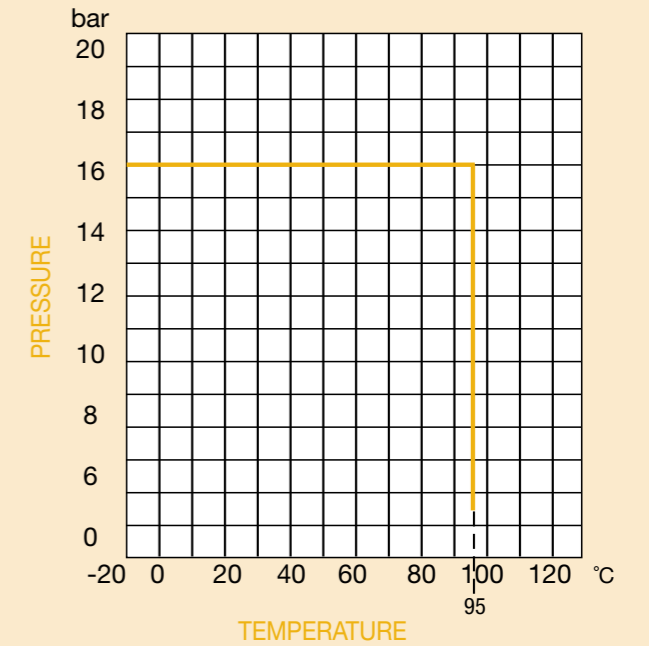
## DZR Brass Single Check Valve c/w Compression Ends

### Features

- Compression Ends
- DZR Brass Body
- EN177
- NBR Seals



### Pressure / Temperature



### Technical Data

Max Pressure	16 bar
Working Temperature	-10°C to +95°C

Dimensions in mm  
This data sheet is designed as a guide and should not be regarded as wholly accurate in every detail. We reserve the right to amend the specification of any product without notice.

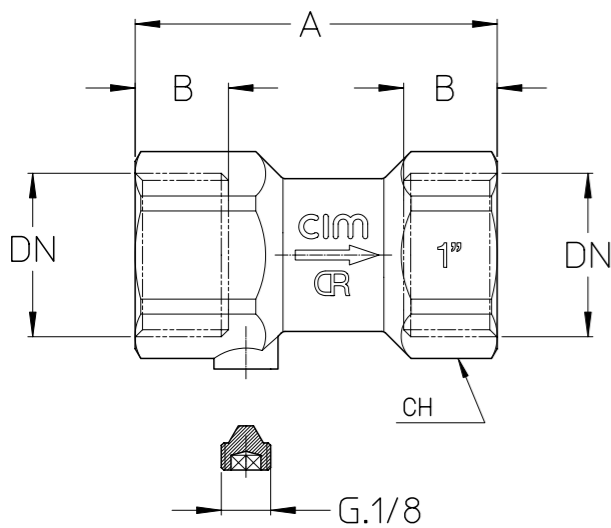
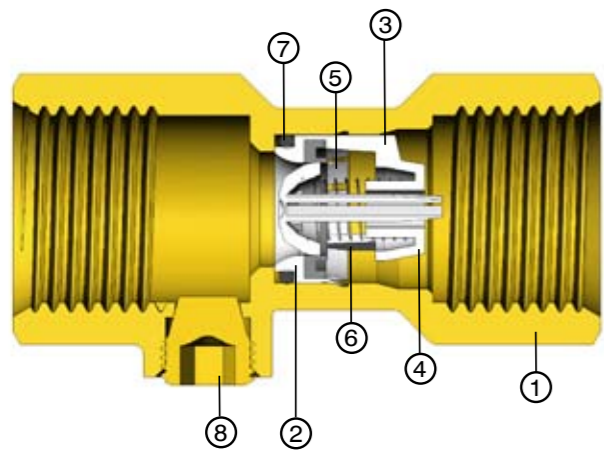
DN	15mm	22mm	28mm
A	59,5	67	78
B	13	15	16
CH	25	31	38
Kgs	0.17	0.25	0.40

N.	Part Name	Materials
1.	Body	DZR Brass
2.	Housing	POM
3.	Valve	POM
4.	Torpedo	POM
5.	Seal	NBR
6.	Spring	Stainless Steel
7.	O-Ring	NBR
8.	Plug	DZR Brass

## DZR Brass Single Check Valve with F/F Ends

### Features

- Screwed BSP Parallel
- EN177
- DZR Brass Body
- NBR Seals

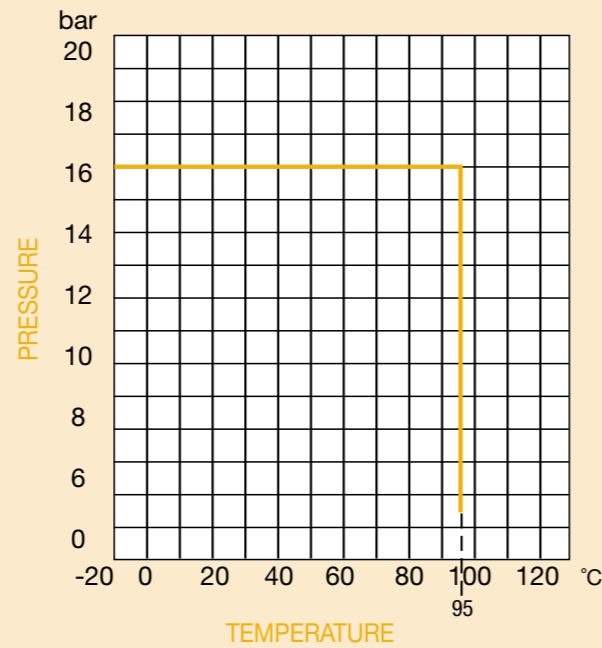


### Technical Data

Max Pressure	16 bar
Working Temperature	-10°C to +95°C

Dimensions in mm  
This data sheet is designed as a guide and should not be regarded as wholly accurate in every detail. We reserve the right to amend the specification of any product without notice.

### Pressure / Temperature



DN	1/2"	3/4"	1"	1 1/4"	1 1/2"	2"
A	59,5	67	78	76	86	102
B	15	16,3	19,1	15	17	18
CH	25	31	38	47	54	66
Kgs	0.12	0.17	0.27	0.35	0.51	0.78

N.	Part Name	Materials
1.	Body	DZR Brass
2.	Housing	POM
3.	Valve	POM
4.	Torpedo	POM
5.	Seal	NBR
6.	Spring	Stainless Steel
7.	O-Ring	NBR
8.	Plug	DZR Brass

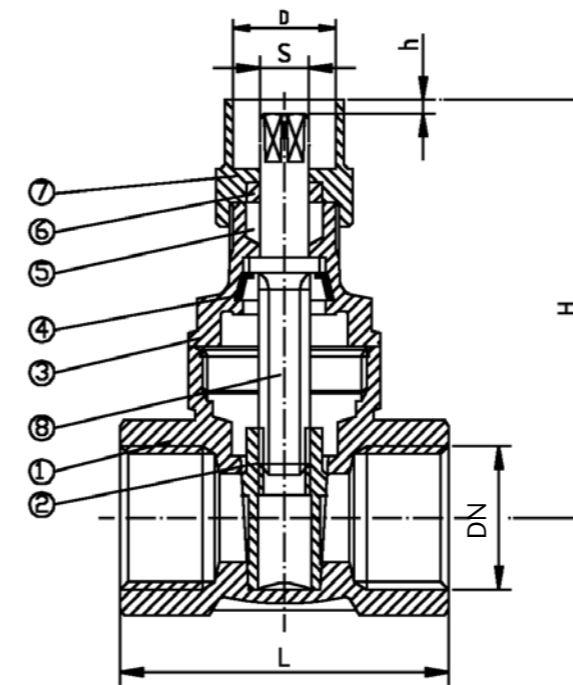
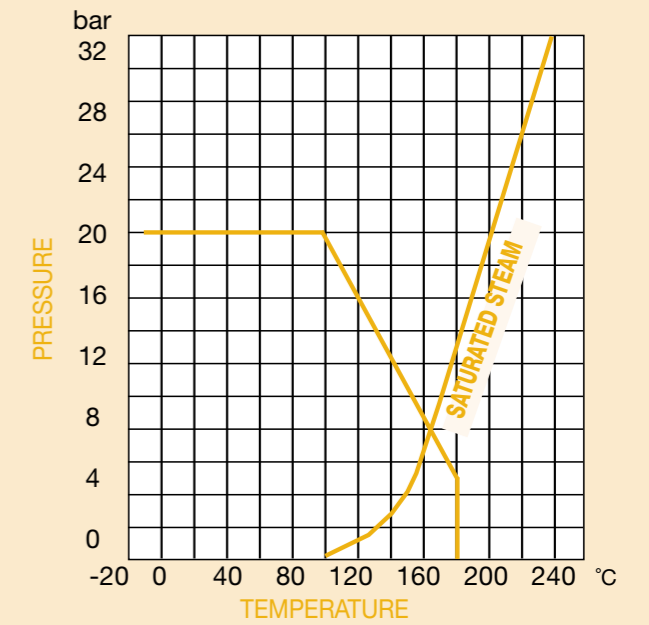
## PN20 DZR Brass Gate Valve

### Features

- Screwed BSP Taper
- DZR Brass Body & Wedge
- Lock Shield
- BS5154



### Pressure / Temperature



DN	1/2"	3/4"	1"	1 1/4"	1 1/2"	2"
L	43	46	52	65	66	82.5
H	63.5	67.3	68.9	87.7	96.7	114.5
S	6.3	6.3	6.3	6.3	8.0	8.0
h	4.5	4.5	4.5	4.5	4.5	4.5
D	Ø15	Ø15	Ø15	Ø16.5	Ø19.5	Ø19.5
Kgs	0.20	0.27	0.39	0.59	0.83	1.31

N.	Part Name	Materials
1.	Body	DZR Brass
2.	Wedge	DZR Brass
3.	Bonnet	DZR Brass
4.	Lock Nut	Brass
5.	Stem Packing	PTFE
6.	Gland	Brass
7.	Packing Nut	Brass
8.	Stem	DZR Brass

### Technical Data

Max Pressure	20 bar
Working Temperature	-10°C to +180°C

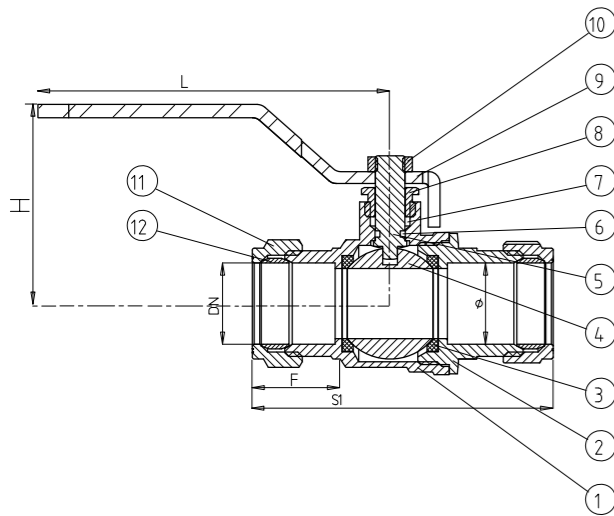
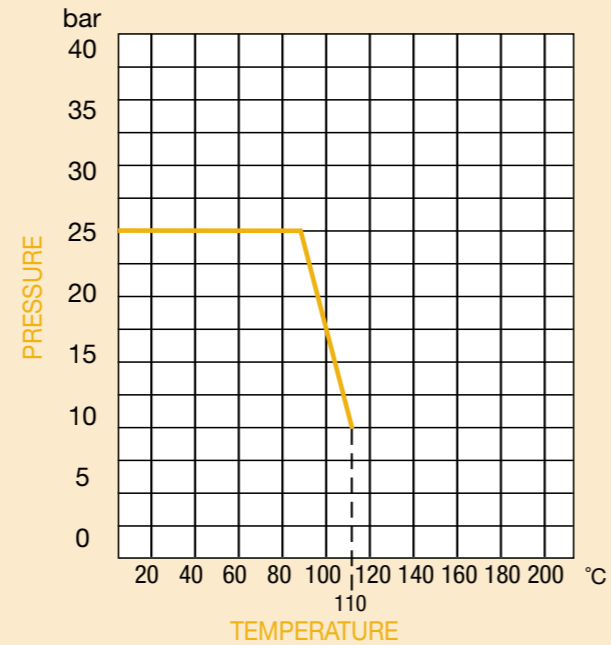
Dimensions in mm  
This data sheet is designed as a guide and should not be regarded as wholly accurate in every detail. We reserve the right to amend the specification of any product without notice.

## PN25 Brass Ball Valve

### Features

- Compression Ends
- PTFE seats & Seals
- Anti Blow Out Stem
- Full Bore

### Pressure / Temperature



DN	15mm	22mm	28mm	35mm	42mm	54mm
ø	14.5	19	24.5	31.5	39.5	49.5
F	18.75	20.25	22	24	28	32
S1	70.5	80	91.5	109	123	150
H	52.5	54.5	69	78	86	100
L	83	93	124	133	133	158
Kgs	0.25	0.40	0.60	0.90	1.20	2.33

N.	Part Name	Materials
1	Body	DZR Brass
2	Bonnet	DZR Brass
3	Seat	PTFE
4	Ball	Brass
5	Stem	Brass
6	O-ring	NBR
7	Washer	PTFE
8	Lock Nut	Brass
9	Handle	Steel
10	Screw	Steel
11	Nut	Brass
12	Olive	Brass

### Technical Data

Max Pressure 25 bar  
Working Temperature -10°C to +110°C

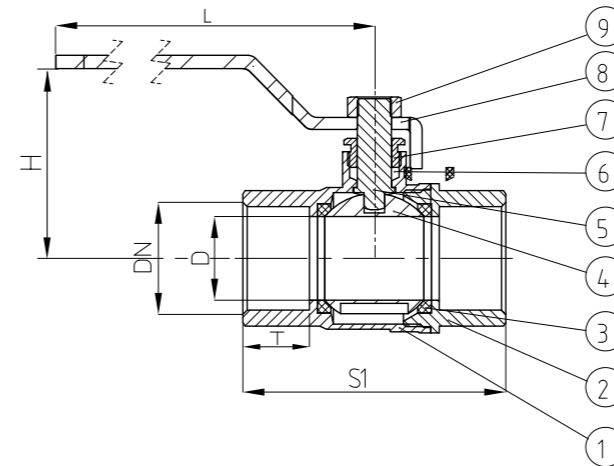
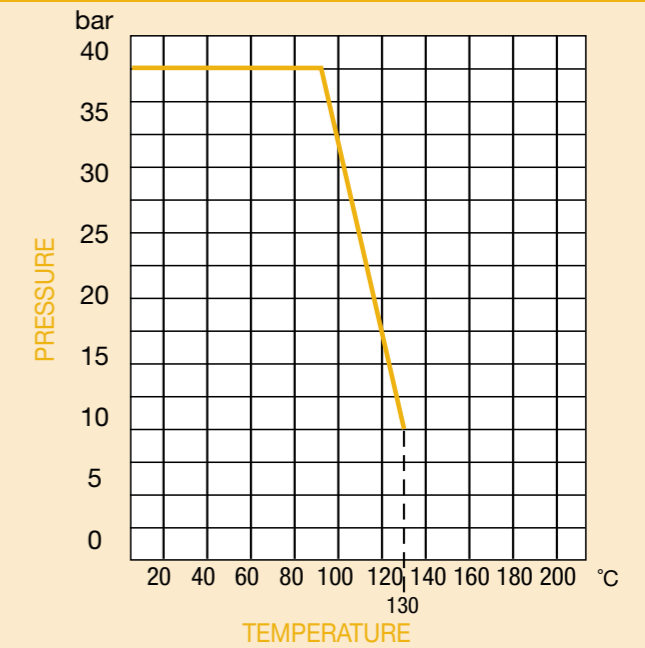
Dimensions in mm  
This data sheet is designed as a guide and should not be regarded as wholly accurate in every detail. We reserve the right to amend the specification of any product without notice.

## PN40 Brass Ball Valve

### Features

- Screwed BSPT Ends
- PTFE Seats & Seals
- Anti Blow-out Stem
- Full Bore

### Pressure / Temperature



DN	1/4"	3/8"	1/2"	3/4"	1"	1 1/4"	1 1/2"	2"
D	10	10	14.5	19	24.5	31.5	39.5	49.5
T	12.2	12.2	16	16	20.5	20.5	20.5	26.3
S1	45.6	45.6	56.2	68	78	87	100	120
H	38	38	44	46.5	53.5	67	72	77
L	83	83	95.5	115.5	115.5	131	163	163
Kgs	0.14	0.14	0.20	0.26	0.41	0.61	0.95	1.35

N.	Part Name	Materials
1	Body	DZR Brass
2	Bonnet	DZR Brass
3	Seat	PTFE
4	Ball	Brass
5	Stem	Brass
6	Washer	PTFE
7	Lock Nut	Brass
8	Handle	Steel
9	Screw	Steel

### Technical Data

Max Pressure 40 bar  
Working Temperature -20°C to +130°C

Dimensions in mm  
This data sheet is designed as a guide and should not be regarded as wholly accurate in every detail. We reserve the right to amend the specification of any product without notice.