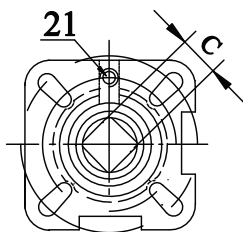
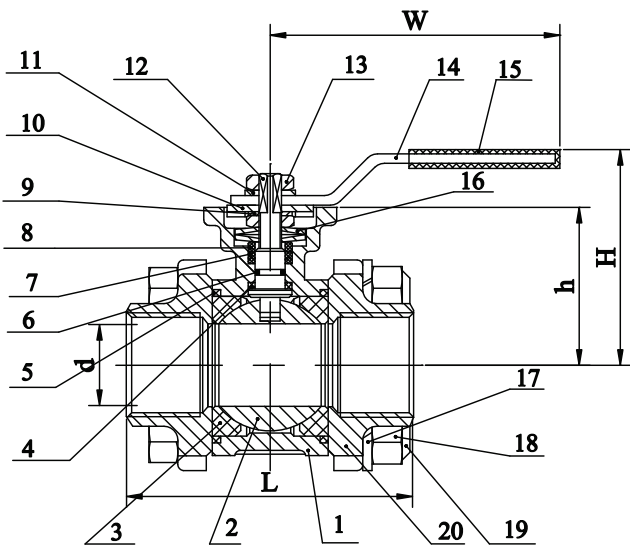


PN82 Stainless Steel 3 Piece Ball Valve ISO5211

Features

- Screwed BSP Taper
- RPTFE (15%) Seats
- PTFE Seals
- Full Bore
- Locking Device
- ISO5211 Direct Mount
- PN82 Rated



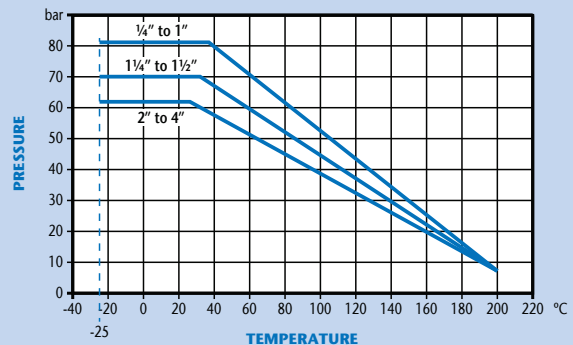
ISO5211

* Torque - Raw torque with no safety added

Technical Data

Max Pressure 82 Bar (1/4"-1") 69 Bar (1 1/4"-1 1/2") 62 Bar (2"-4")
Working Temperature -25°C to +200°C

Pressure / Temperature



DN	1/4"	3/8"	1/2"	3/4"	1"	1 1/4"	1 1/2"	2"	2 1/2"	3"	4"
d	11	12.5	15	20	25	32	40	50	65	80	100
L	50	60	75	80	90	110	120	140	185	205	240
H	59	59	70	78	87	98	104	112	140	153	166
h	32.5	32.5	42.0	50.0	58.0	64.0	69.5	78.0	100	112.5	112.5
W	115	115	117	134	134	203	203	203	255	255	302
C	9	9	9	11	11	14	14	14	17	17	17
ISO5211	F03	F03	F03/F04	F04/F05	F04/F05	F05/F07	F05/F07	F05/F07	F07/F010	F07/F010	F07/F010
Torque	4	4	5	8	10	14	18	25	48	75	110
Kgs	0.46	0.48	0.51	0.89	1.27	2.04	3.00	3.80	7.80	12.4	20.8

N.	Part Name	Material
1	Body	CF8M
2	Ball	Stainless Steel 316
3	Ball Seat	R-PTFE (15%)
4	Thrust Washer	PTFE
5	Body Gasket	PTFE
6	O-Ring	Viton
7	Stem Packing	PTFE
8	Gland	Stainless Steel 304
9	Tab Washer	Stainless Steel 304
10	Stopper	Stainless Steel 304
11	Spring Washer	Stainless Steel 304
12	Stem	Stainless Steel 316
13	Nut	Stainless Steel 304
14	Handle	Stainless Steel 304
15	Handle Cover	Plastic
16	Belleville Washer	Stainless Steel 301
17	Spring Washer	Stainless Steel 304
18	Nut	Stainless Steel 304
19	Bolt	Stainless Steel 304
20	Cap	CF8M
21	Stop Pin	Stainless Steel 304

Dimensions in mm

This data sheet is designed as a guide and should not be regarded as wholly accurate in every detail. We reserve the right to amend the specification of any product without notice.