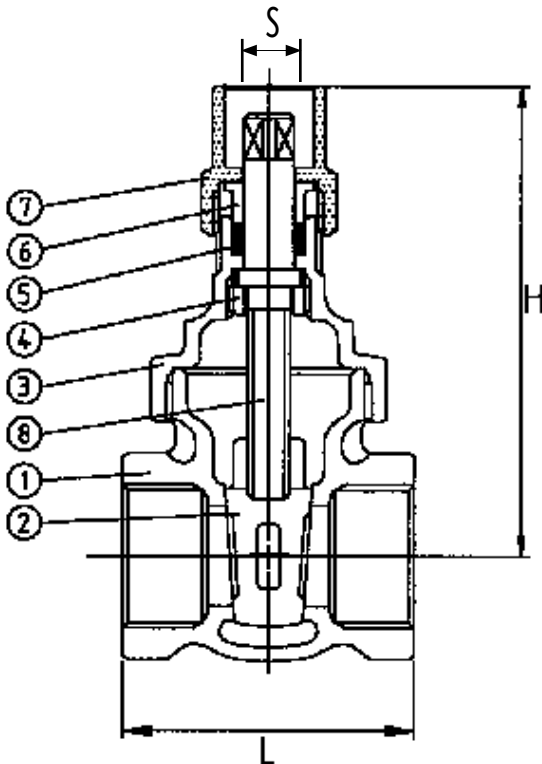


PN20 Bronze Gate Valve

Features

- Screwed BSP Taper
- Bronze Body & Disc
- PN20 Rated
- BS 5154 (BS EN12288)
- Screwed Bonnet
- Lock Shield

WRAS
APPROVED
PRODUCT

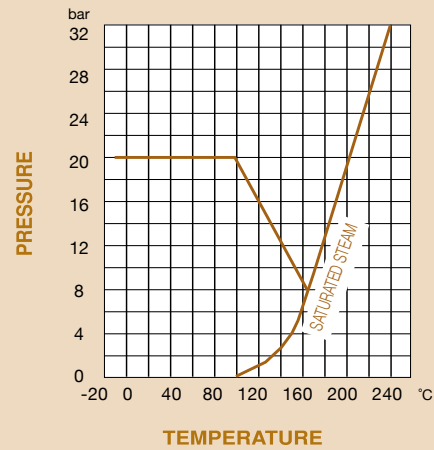


Technical Data

Max Pressure 20 Bar

Working Temperature -10°C to +180°C

Pressure / Temperature



DN	15	20	25	32	40	50
L	47.5	51.5	58.6	63.0	66.5	73.5
H	70.0	80.5	94.0	110.5	123.5	146.5
S	6.3	6.3	6.3	8.0	8.0	9.5
Kgs	0.28	0.40	0.56	0.79	1.06	1.62

N.	Part Name	Materials
1	Body	Bronze
2	Disc	Bronze
3	Bonnet	Bronze
4	Lock Nut	Brass
5	Stem Packing	PTFE
6	Gland	Brass
7	Packing Nut	Brass
8	Stem	Brass