

AVION

Bronze Valves



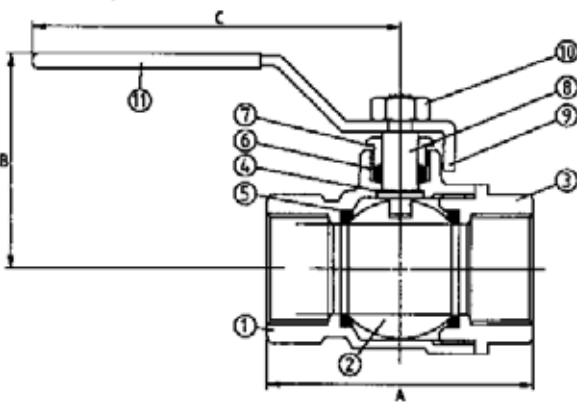
Product information



PN40 Bronze Ball Valve

Features

- Screwed BSP Taper
- Full Bore
- PTFE Seats & Seals
- PN40 Rated
- Blow-out Proof Stem



Technical Data

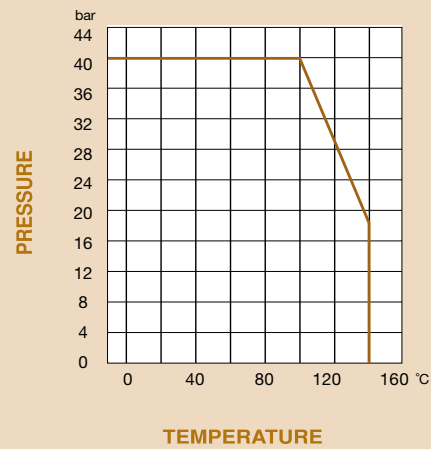
Max Pressure 40 Bar

Working Temperature -10°C to +140°C

Dimensions in mm

This data sheet is designed as a guide and should not be regarded as wholly accurate in every detail. We reserve the right to amend the specification of any product without notice.

Pressure / Temperature



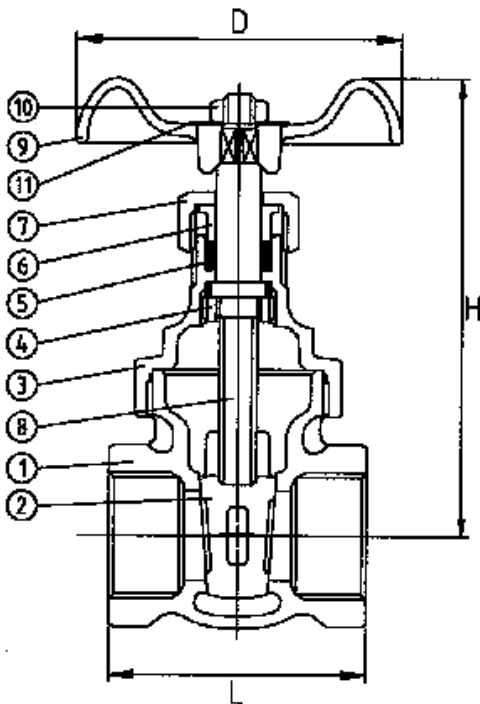
DN	15	20	25	32	40	50
A	55	62	73	83	92	107
B	46	55	62	70	75	82
C	82	103	106	106	150	160
Kgs	0.22	0.35	0.56	0.71	1.11	1.91

N.	Part Name	Materials
1	Body	Bronze
2	Ball	Bronze/Chrome Plated
3	End Cap	Bronze
4	Thrust Washer	PTFE
5	Ball Seats	PTFE
6	Stem Packing	PTFE
7	Packing Guard	Brass
8	Stem	Brass
9	Handle	Steel
10	Handle Nut	Steel
11	Sleeve	Vinyl

PN20 Bronze Gate Valve

Features

- Screwed BSP Taper
- Bronze Body & Disc
- PN20 Rated
- BS 5154 (BS EN12288)
- Screwed Bonnet



Pressure / Temperature



DN	15	20	25	32	40	50
L	47.5	51.5	58.6	63.0	66.5	73.5
H	78.0	94.0	109.0	120.0	142.0	163.0
D	53.0	63.5	68.5	80.0	90.0	103.0
Kgs	0.33	0.48	0.65	0.93	1.24	1.92

Technical Data

Max Pressure 20 Bar

Working Temperature -10°C to +180°C

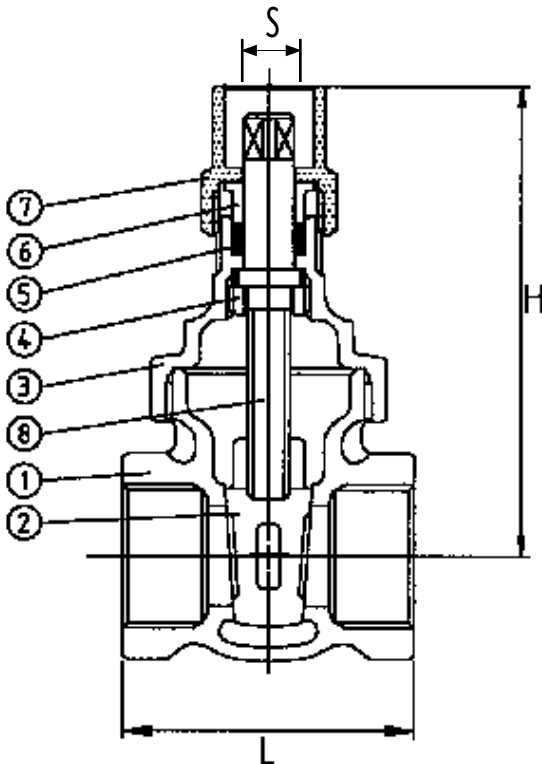
N.	Part Name	Materials
1	Body	Bronze
2	Disc	Bronze
3	Bonnet	Bronze
4	Lock Nut	Brass
5	Stem Packing	PTFE
6	Gland	Brass
7	Packing Nut	Brass
8	Stem	Brass
9	Hand Wheel	Cast Iron
10	Wheel Nut	Steel Zn Plated
11	Name Plate	Aluminium

PN20 Bronze Gate Valve

Features

- Screwed BSP Taper
- Bronze Body & Disc
- PN20 Rated
- BS 5154 (BS EN12288)
- Screwed Bonnet
- Lock Shield

WRAS
APPROVED
PRODUCT

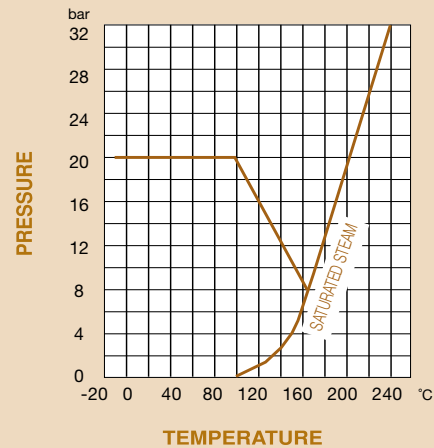


Technical Data

Max Pressure 20 Bar

Working Temperature -10°C to +180°C

Pressure / Temperature



DN	15	20	25	32	40	50
L	47.5	51.5	58.6	63.0	66.5	73.5
H	70.0	80.5	94.0	110.5	123.5	146.5
S	6.3	6.3	6.3	8.0	8.0	9.5
Kgs	0.28	0.40	0.56	0.79	1.06	1.62

N.	Part Name	Materials
1	Body	Bronze
2	Disc	Bronze
3	Bonnet	Bronze
4	Lock Nut	Brass
5	Stem Packing	PTFE
6	Gland	Brass
7	Packing Nut	Brass
8	Stem	Brass

Dimensions in mm

This data sheet is designed as a guide and should not be regarded as wholly accurate in every detail. We reserve the right to amend the specification of any product without notice.

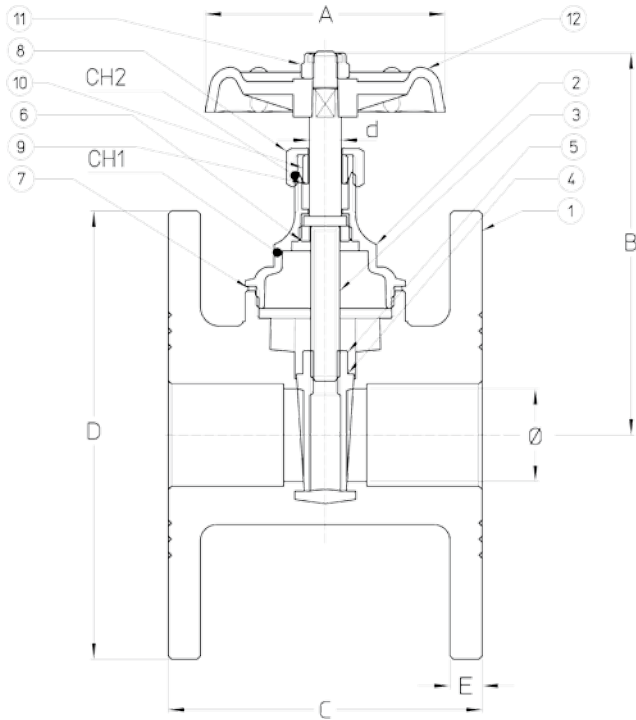
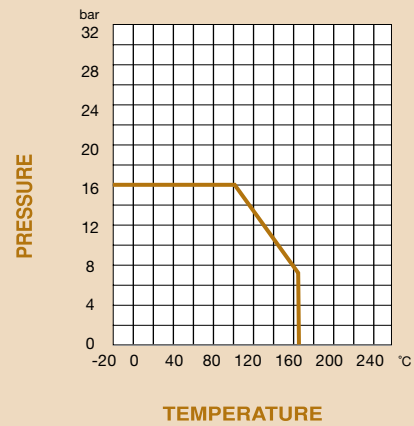


PN16 Flanged Bronze Gate Valve

Features

- Flanged PN16 (undrilled on request)
- Bronze Body
- PN 16 Rated
- BS 5154 (BS EN12288)

Pressure / Temperature



DN	1/2"	3/4"	1"	1 1/4"	1 1/2"	2"	2 1/4"	2 1/2"	3"	4"	5"	6"
Ø	15	20	25	32	40	50	60	70	80	100	125	150
A	55	60	65	75	80	90	90	110	120	140	175	175
B	84	95	102	120	134	150	173	185	205	250	306	360
C	69	83	89	98	115	126	141	154	160	170	190	210
D	95	105	120	140	150	162	175	160	189	230	260	290
E	8	8	10	10	11	11	12	12	13	17	17	18
CH1	24	30	32	32	39	47	49	55	66	84	114	136
CH2	18	18	18	21	23	25	25	30	30	37	45	50
d	8	8	8	10	10	12	12	13	14	17	19	21
Kgs	1.18	1.66	2.44	3.18	4.17	5.15	6.72	6.54	10.13	18.06	22.54	29.8

Technical Data

Max Pressure 16 Bar

Working Temperature -10°C to +170°C

N.	Part Name	Materials
1	Body	Bronze
2	Bonnet	Brass
3	Stem	Brass
4	Wedge	1/4"-4" Brass
5	Wedge	5"-6" Bronze
6	Stem Ring	Brass
7	Packing	NA 1030 Gr
8	Gland Nut	Brass
9	Gland Packing	AF 15/MA
10	Gland	Brass
11	Nut	Steel
12	Handwheel	Aluminium Alloy

Dimensions in mm

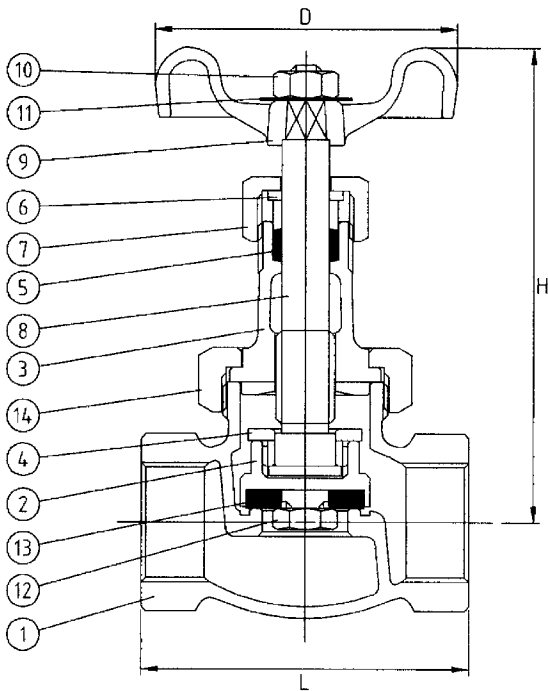
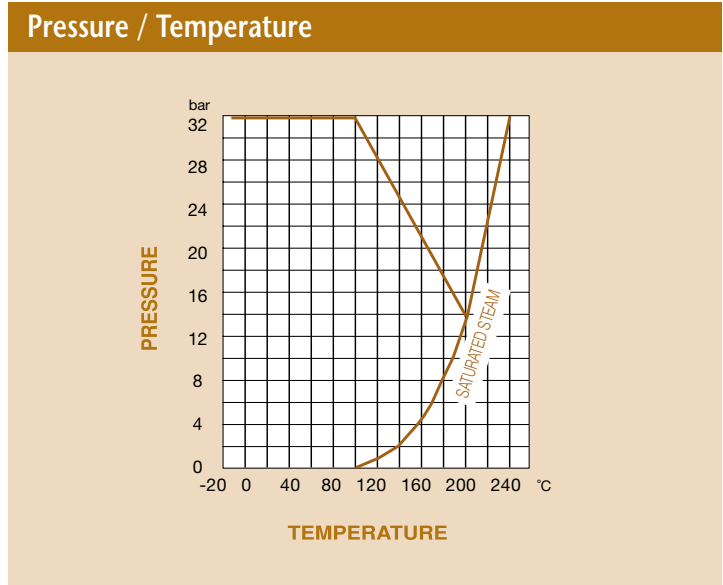
This data sheet is designed as a guide and should not be regarded as wholly accurate in every detail. We reserve the right to amend the specification of any product without notice.



PN32 Bronze Globe Valve

Features

- Screwed BSP Taper
- Bronze Body
- Union Bonnet
- Rising Stem
- PTFE Renewable Disc
- BS 5154 (BS EN12288)



DN	1/2"	3/4"	1"	1 1/4"	1 1/2"	2"
L	57	67	77	88	103	122
H	89	101	116	128	142	167
D	62	68	80	90	102	110
CV	3.5	6.6	12.0	22.0	30.0	50.0
Kgs	0.46	0.66	0.98	1.44	2.16	3.23

N.	Part Name	Materials
1	Body	Bronze
2	Disc	Bronze
3	Bonnet	Bronze
4	Lock Nut	Brass
5	Stem Packing	PTFE
6	Gland	Brass
7	Packing Nut	Brass
8	Stem	DZR Brass
9	Hand Wheel	Cast Iron
10	Wheel Nut	Steel
11	Name Plate	Aluminium
12	Disc Nut	1/2 - 3/4" Brass - 1-2" Bronze
13	Disc Teflon	PTFE
14	Union Nut	Bronze

Technical Data

Max Pressure 32 Bar

Working Temperature -10°C to +200°C

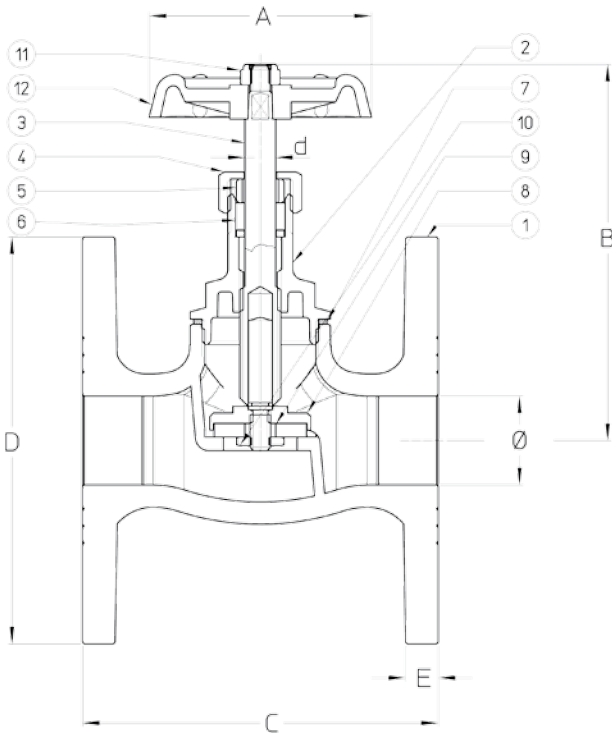
Dimensions in mm

This data sheet is designed as a guide and should not be regarded as wholly accurate in every detail. We reserve the right to amend the specification of any product without notice.

PN16 Flanged Bronze Globe Valve

Features

- Flanged PN16
- Bronze Body
- PN16 Rated
- PTFE Disc
- BS 5154 (BS EN12288)

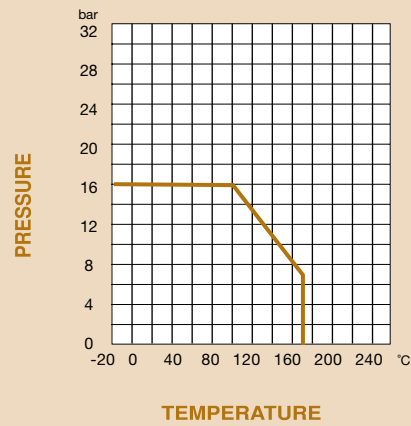


Technical Data

Max Pressure 16 Bar

Working Temperature -10°C to +170°C

Pressure / Temperature



DN	1/2"	3/4"	1"	1 1/4"	1 1/2"	2"	2 1/2"	3"	4"
Ø	15	20	25	32	40	50	70	80	100
A	55	55	65	65	80	80	120	120	175
B	98	108	120	130	155	165	210	265	305
C	84	95	105	115	134	156	170	180	200
D	95	105	120	140	150	165	185	200	230
E	8	8	9.5	9.5	11	11	13	13	17
CH1	23	23	28	33	37	45	55	63	80
CH2	18	18	21	23	25	27	37	39	50
d	8	8	9	9	10	10	16	19	22
Kgs	1.23	1.71	2.3	3.32	4.63	6.0	6.84	11.8	17.9

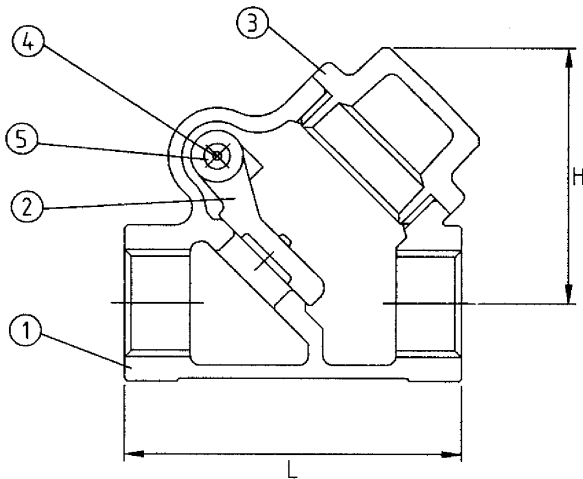
N.	Part Name	Materials
1	Body	Bronze
2	Bonnet	Brass
3	Stem	Brass
4	Gland Nut	Brass
5	Gland	Brass
6	Gland Packing	AF 15/MA
7	Body Packing	NA 1100
8	Disc Holder	Brass
9	Disc	P.T.F.E.
10	Disc Nut	Brass
11	Nut	Steel
12	Handwheel	Aluminium Alloy

PN20 Bronze Swing Check Valve

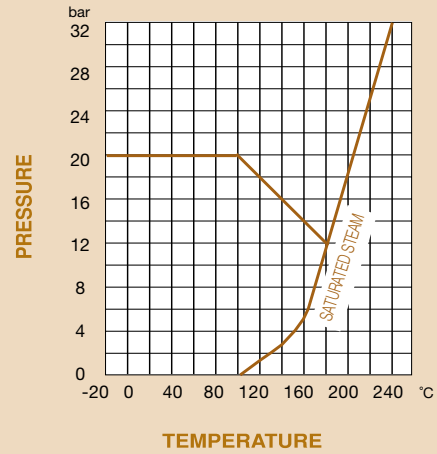


Features

- Screwed BSP Taper
- Bronze Body
- Bronze Disc
- PN20 Rated
- BS 5154 (BS EN12288)



Pressure / Temperature



DN	1/2"	3/4"	1"	1 1/4"	1 1/2"	2"
L	56	71	80	97	110	129
H	43	51	58	68	78	96
CV	3.5	6.6	12.0	22.0	30.0	50.0
Kgs	0.28	0.43	0.59	0.91	1.31	1.86

Technical Data

Max Pressure 20 Bar

Working Temperature -10°C to +180°C

N.	Part Name	Materials
1	Body	Bronze
2	Disc	Bronze
3	Cap	Bronze
4	Hanger Pin	Brass
5	Plug	Brass

Dimensions in mm

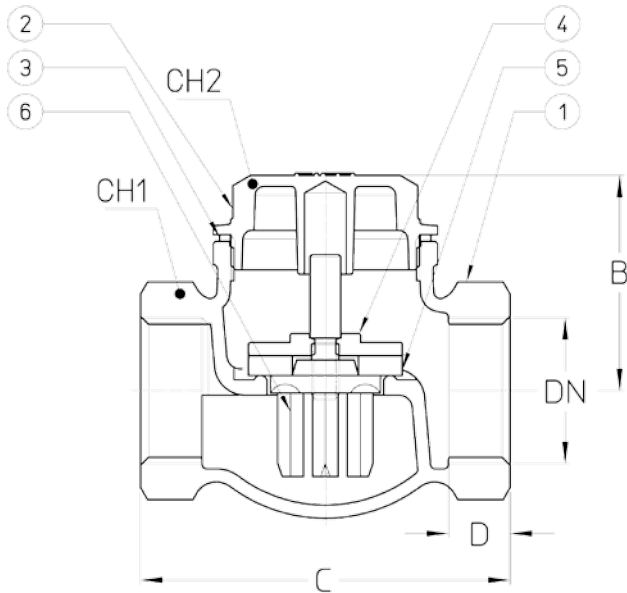
This data sheet is designed as a guide and should not be regarded as wholly accurate in every detail. We reserve the right to amend the specification of any product without notice.



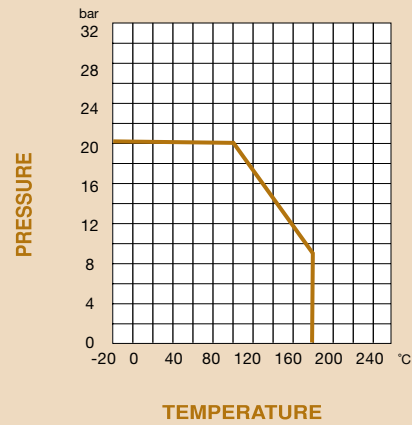
PN 20 Bronze Lift Check Valve

Features

- Screwed BSP Parallel
- Bronze Body
- PTFE Disc
- PN20 Rated
- BS 5154 (BS EN12288)



Pressure / Temperature



DN	3/8"	1/2"	3/4"	1"	1 1/4"	1 1/2"	2"
B	31	36	40	48	54	60	79
C	57	60	70	84	91	104	126
D	11	11	11	12	16	16	19
CH1	25	29	35	44	52	59	72
CH2	22	22	28	37	40	48	55
Kgs	0.22	0.28	0.45	0.80	0.97	1.50	2.64

Technical Data

Max Pressure 20 Bar

Working Temperature -10°C to +180°C

N.	Part Name	Materials
1	Body	Bronze
2	Bonnet	Brass
3	Body Packing	NA 1100
4	Disc Holder	Brass
5	Disc	P.T.F.E.
6	Guide	Brass

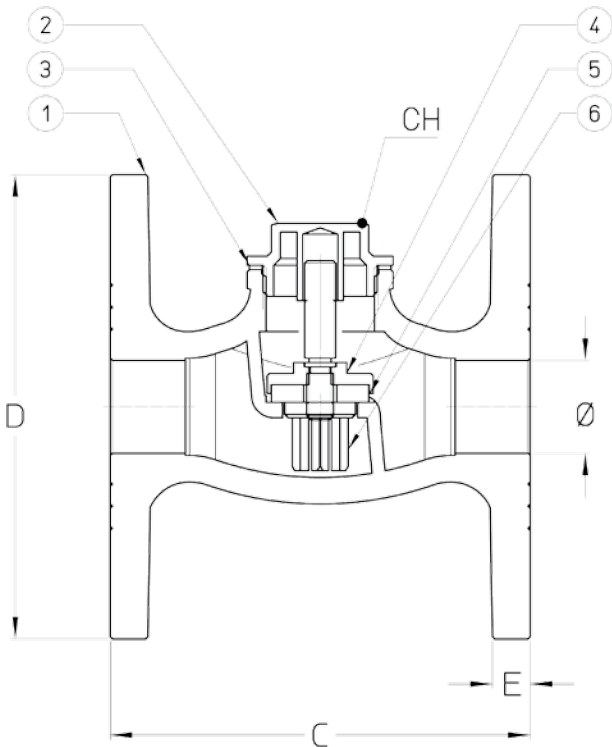
Dimensions in mm

This data sheet is designed as a guide and should not be regarded as wholly accurate in every detail. We reserve the right to amend the specification of any product without notice.

PN 16 Flanged Bronze Lift Check Valve

Features

- Flanged PN16
- Bronze Body
- PN16 Rated
- PTFE Seal
- BS 5154 (BS EN12288)

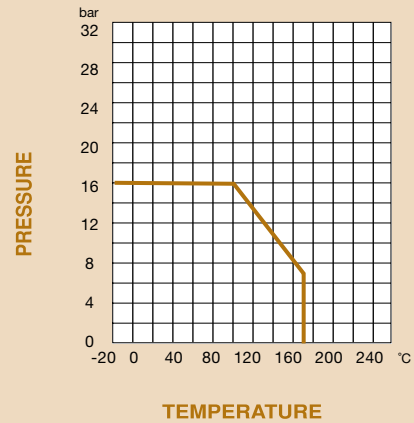


Technical Data

Max Pressure 16 Bar

Working Temperature -10°C to +170°C

Pressure / Temperature



DN	1/2"	3/4"	1"	1 1/4"	1 1/2"	2"	2 1/2"	3"	4"
Ø	15	20	25	32	40	50	70	80	100
C	84	95	105	115	134	154	170	180	200
D (PN6)	70	85	100	110	120	140	185	200	230
D	95	105	120	140	150	165	185	200	230
E	8	8	9.5	9.5	11	11	12	13	17
CH	19	22	28	37	40	48	65	75	85
Kgs	1.12	1.65	2.33	3.45	4.43	5.75	8.05	10.27	16.14

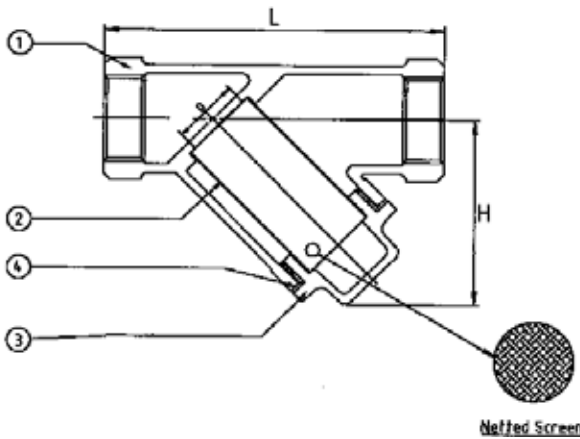
N.	Part Name	Materials
1	Body	Bronze
2	Bonnet	Brass
3	Body Packing	NA 1100
4	Disc Holder	Brass
5	Disc	P.T.F.E.
6	Guide	Brass



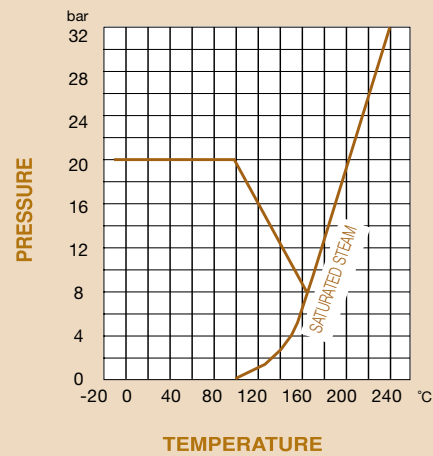
PN20 Bronze 'Y' Type Strainer

Features

- Screwed BSP Taper
- Bronze Body
- Screwed Cap
- Standard Screen 0.75mm Perforations
- PN20 Rated



Pressure / Temperature



DN	15	20	25	32	40	50
L	80.0	100.0	115.0	135.0	160.0	190.0
H	48.5	58.0	70.0	80.0	93.0	112.0
D	14.0	19.0	25.0	31.8	38.1	50.0
Kgs	0.31	0.49	0.71	0.99	1.46	2.44

Technical Data

Max Pressure 20 Bar

Working Temperature -10°C to +180°C

N.	Part Name	Materials
1	Body	Bronze
2	Screen	Stainless Steel
3	Cap	Bronze
4	Gasket	Non Asbestos

Dimensions in mm

This data sheet is designed as a guide and should not be regarded as wholly accurate in every detail. We reserve the right to amend the specification of any product without notice.



Certificate No. 1437B



Certificate No. 1437A

Distributor