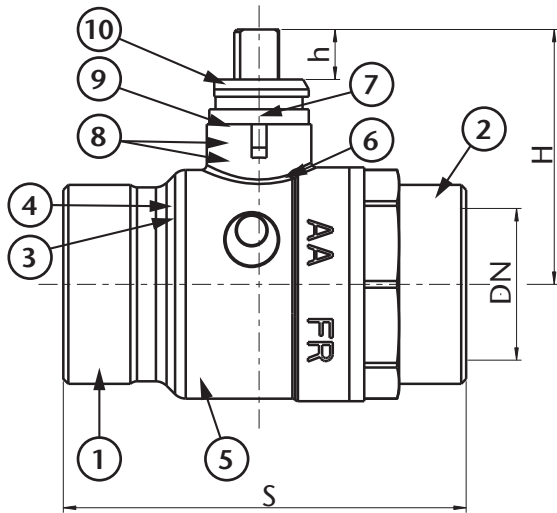




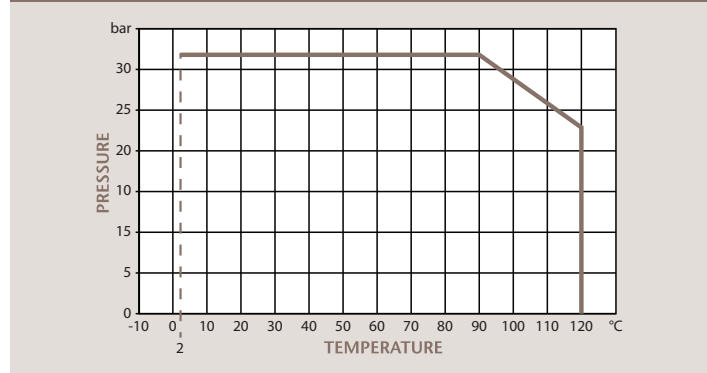
2 Port Brass Zone/Control Valve

Features

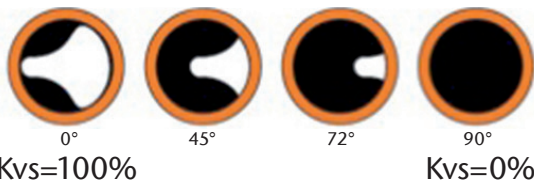
- Quick connection/release CLIP system utilised
- Zone and Isolation with ON-OFF (2 point control)
- WRAS approval DN15-32
- Optional Equal percentage control characteristic insert
- Anti-Legionella design ball
- Frost Proof ball and valve shape
- Raise/Lower (3 Point Control) or Modulating (0-10V) available



Pressure/Temperature



Equal Percentage Control valve opening angle



Technical Data

| | |
|-----------------------|---------------|
| Max Pressure PN Class | 32 Bar |
| Working Temperature | 2°C to +120°C |
| Max ΔP Valve | 6 Bar |

| DN | 1/2" | 3/4" | 1" | 1 1/4" | 1 1/2" | 2" |
|-------------------------|------|------|------|--------|--------|------|
| Ø | 17 | 20 | 25 | 32 | 40 | 50 |
| S | 62 | 68 | 81 | 86 | 102 | 122 |
| H | 41 | 47 | 51 | 56 | 51 | 59 |
| h | 8 | 10 | 10 | 10 | 11 | 11 |
| Connection | Clip | Clip | Clip | Clip | Iso | Iso |
| Kvs (m ³ /h) | 20 | 45 | 60 | 100 | 170 | 265 |
| Kg | 0.23 | 0.35 | 0.54 | 0.70 | 1.08 | 1.70 |

| N. | Part Name | Materials |
|----|-----------|--------------|
| 1 | Body | Brass CW617N |
| 2 | Body End | Brass CW617N |
| 3 | Seat | PTFE |
| 4 | O-Ring | EPDM |
| 5 | Ball | Brass |
| 6 | Washer | PTFE |
| 7 | Stem | Brass CW617N |
| 8 | O-Ring | EPDM |
| 9 | O-Ring | FPM |
| 10 | Washer | PTFE |

Dimensions in mm

This data sheet is designed as a guide and should not be regarded as wholly accurate in every detail. We reserve the right to amend the specification of any product without notice.