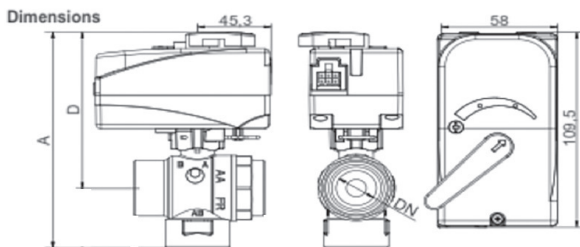
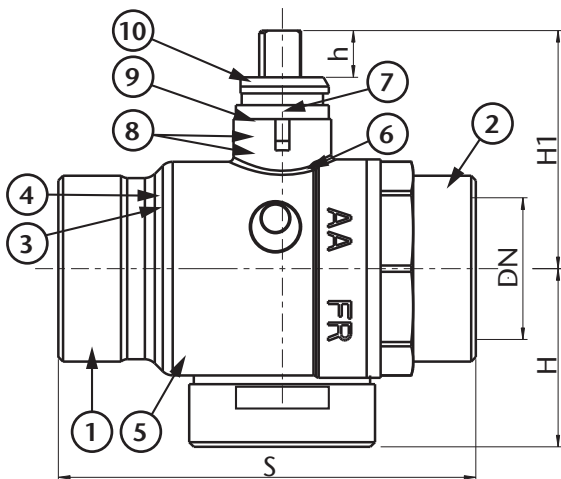


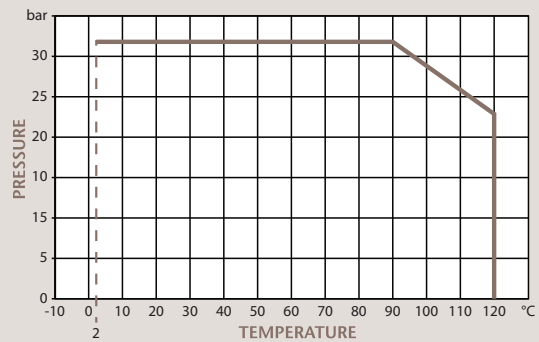
3 Port Brass Zone/Control Valve

Features

- Offers ON-Off Zone, Isolation and control
- Priority Control of Hot Water (diverting function)
- Priority Control of renewable energy and boiler installations



Pressure/Temperature



DN	3/4"	1"	1 1/4"
Ø	20	25	32
S	68	81	86
h	10	10	10
H	40	43	52
H1	47	51	56
A	144	150	165.5
D	104	107	113.5
Kvs (m ³ /h)	9.6	11.3	25
Kgs	0.42	0.62	0.91

N.	Part Name	Materials
1	Body	Brass CW617N
2	Body End	Brass CW617N
3	Seat	PTFE
4	O-Ring	EPDM
5	Ball	Brass
6	Washer	PTFE
7	Stem	Brass CW617N
8	O-Ring	EPDM
9	O-Ring	FPM
10	Washer	PTFE

Technical Data

Max Pressure PN Class	32 Bar
Working Temperature	2°C to +120°C
Max ΔP Valve	6 Bar

Dimensions in mm

This data sheet is designed as a guide and should not be regarded as wholly accurate in every detail. We reserve the right to amend the specification of any product without notice.