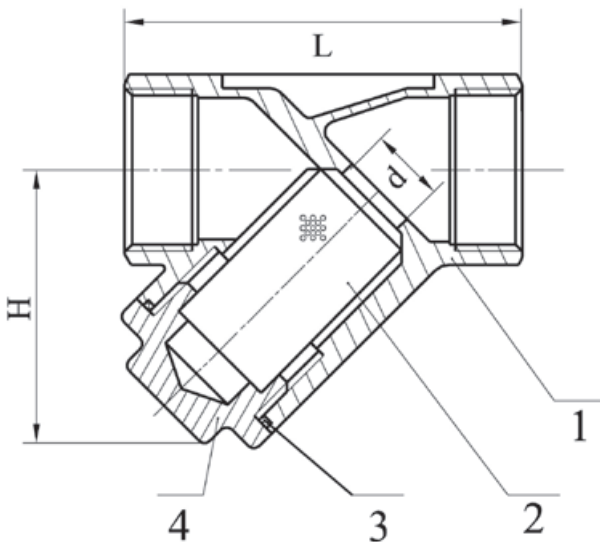
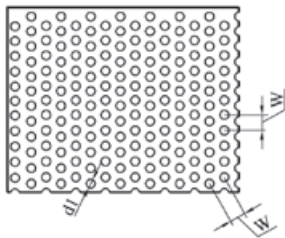


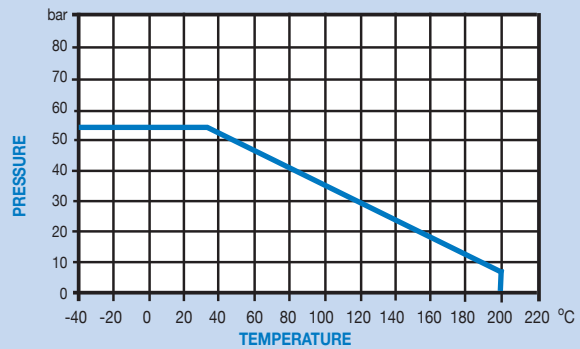
PN55 Stainless Steel Screwed 'Y' Type Strainer

Features

- Screwed BSP Parallel
- 1mm/1000 micron mesh
- PTFE Joint Gasket
- Body CF8M



Pressure / Temperature



DN	1/4"	3/8"	1/2"	3/4"	1"	1 1/4"	1 1/2"	2"
d	10	12	15	20	25	32	40	50
L	64	64	64	80	90	106	119	140
H	43	43	45	52	68	70	80	98
W	2	2	2	2	2	2	2	2
d1	1	1	1	1	1	1	1	1
Kgs	0.20	0.20	0.21	0.34	0.59	0.80	1.06	1.61

Technical Data

Max Pressure 55 Bar
 Working Temperature -25°C to +200°C

N.	Part Name	Material
1	Body	CF8M
2	Screen	Stainless Steel 316
3	Joint Gasket	PTFE
4	Bonnet	CF8M

Dimensions in mm

This data sheet is designed as a guide and should not be regarded as wholly accurate in every detail. We reserve the right to amend the specification of any product without notice.