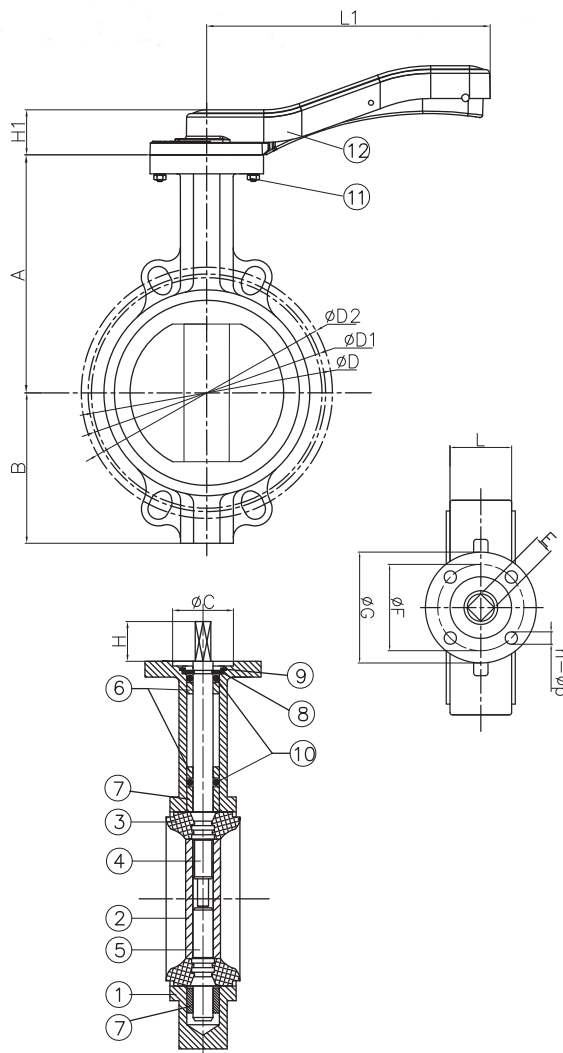
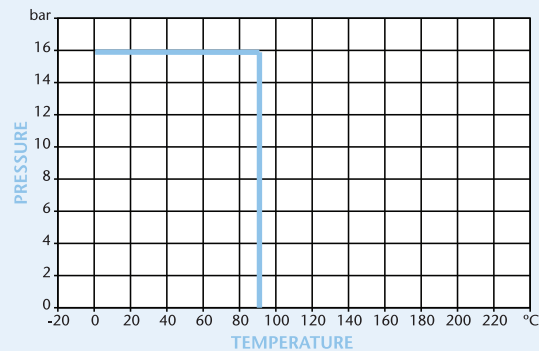


Ductile Iron Butterfly Valve Wafer Type

Features

- Universal Flange Mounting PN10 PN16 ASA150
- BS5155 (BS EN 593)
- ISO 5211 Direct Mount
- Lockable Handle
- Epoxy Coat Finish

Pressure/Temperature



We strongly advise gearbox on all 8", 10" and 12" valves.

Technical Data

Maximum Pressure 16 Bar
Working Temperature -0°C to +90°C

DN	50	65	80	100	125	150	200	250	300
A	142	154	161	179	193	204	250	282	326
B	60	78	87	105	120	138	174	209	242
C	56	56	56	56	56	56	71	71	71
D	125	145	160	180	210	240	295	355	410
E	11	11	11	11	14	14	17	22	22
F	70	70	70	70	70	70	102	102	102
G	90	90	90	90	90	90	125	125	125
H	19	19	19	19	19	19	25	30	30
H1	31	31	31	36	36	36	42	42	42
L	41.4	44	44.6	51.4	53.8	55.1	59.5	65	75.9
L1	176	176	176	225	225	225	300	359	359
Holes	4x19	4x19	8x19	8x19	8x19	8x23	12x23	12x28	12x28
n-øp	4x10	4x10	4x10	4x10	4x10	4x10	4x12	4x12	4x12
Torque	19	21	28	43	60	91	194	295	412
Kgs	2.35	2.75	3.05	4.7	5.5	6.75	11.6	20.4	29.1

N.	Part Name	Materials
1	Body	Ductile Iron GGG40
2	Disc	Stainless Steel 316
3	Seat	NBR
4	Upper Shaft	Stainless Steel 410
5	Lower Shaft	Stainless Steel 411
6	Short Bush	PTFE
7	Long Bush	PTFE
8	Split Pin	Spring Steel
9	Circlip	Spring Steel
10	O-Ring	EPDM
11	Bolt	Carbon Steel
12	Lever	DN 50-150 Aluminium DN200-300 DI

Dimensions in mm

This data sheet is designed as a guide and should not be regarded as wholly accurate in every detail. We reserve the right to amend the specification of any product without notice.