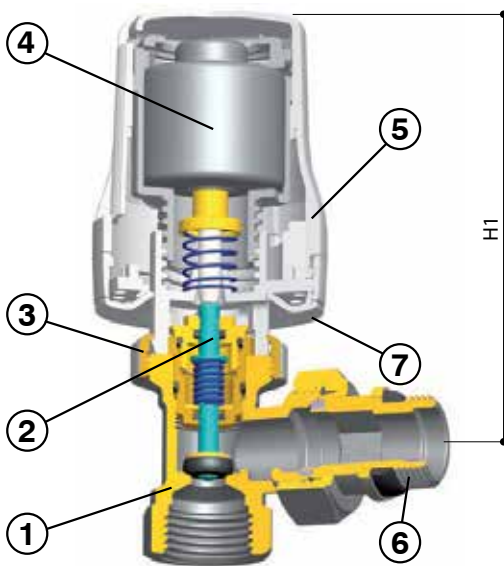


Thermostatic Head

Features

- Lockable Head
- Liquid Sensor
- Frost Setting 6°C
- Conforms to EN215
- M30 x 1.5 Standard Connection



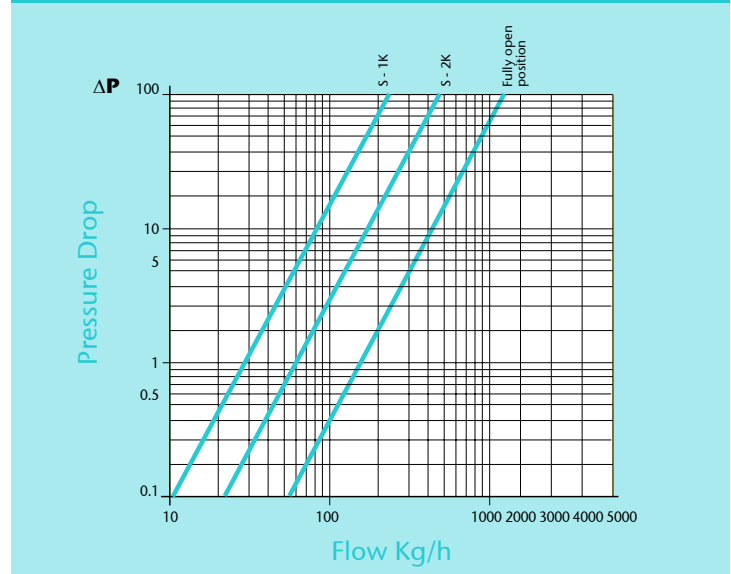
Technical Data

Pressure 10 Bar
Max Working Temperature 100°C

Dimensions in mm

This data sheet is designed as a guide and should not be regarded as wholly accurate in every detail. We reserve the right to amend the specification of any product without notice.

Flow And Pressure Drop



C	51.0
H	76.5
H1	97.0

N.	Part Name	Materials
1	Body	Brass Nickel Plated
2	Bonnet	Brass
3	Locking Ring	Brass Nickel Plated
4	Thermostat	-
5	Handle	ABS
6	Tail Piece	Brass Nickel Plated
7	Ring	ABS