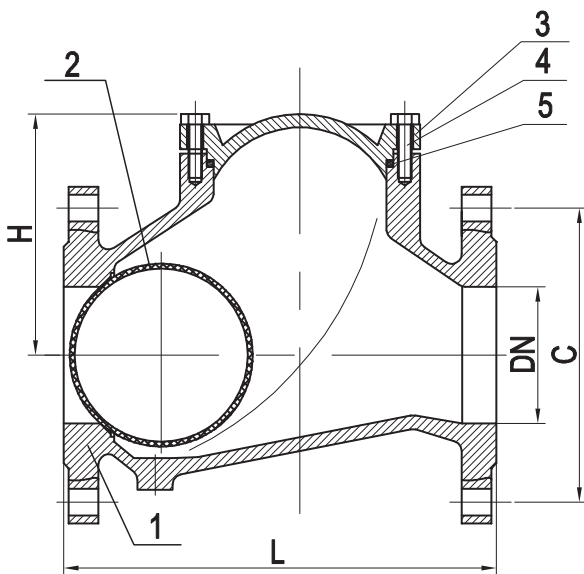


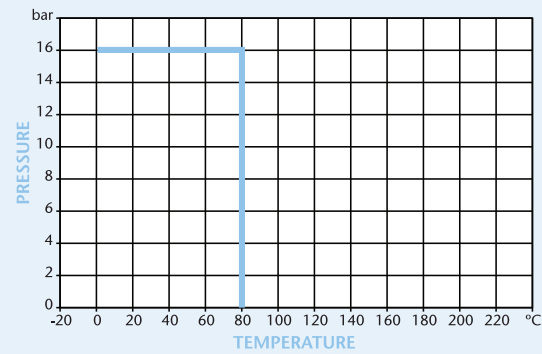
## PN16 Ductile Iron Ball Check Valve

### Features

- Flanged Mounting PN16 Only
- Valve Design According to EN12334
- DIN3202 Face-to-Face
- Epoxy Coat Finish



### Pressure/Temperature



DN	L	C	H	Kgs
50	200	106	125	7.7
65	240	129	145	11.2
80	260	146	160	15.4
100	300	194	180	21.7
125	350	207	210	33.0
150	400	240	240	45.3
200	500	322	295	90.42
250	600	388	355	163.0
300	700	458	410	230.0

### Technical Data

Maximum Pressure 16 Bar  
 Working Temperature: 0°C to +80°C

Dimensions in mm

This data sheet is designed as a guide and should not be regarded as wholly accurate in every detail. We reserve the right to amend the specification of any product without notice.

N	Part Name	Material
1	Body	Ductile Iron
2	Ball	Metal NBR Coated
3	Cap	Ductile Iron
4	Bolt	Steel
5	Gasket	NBR