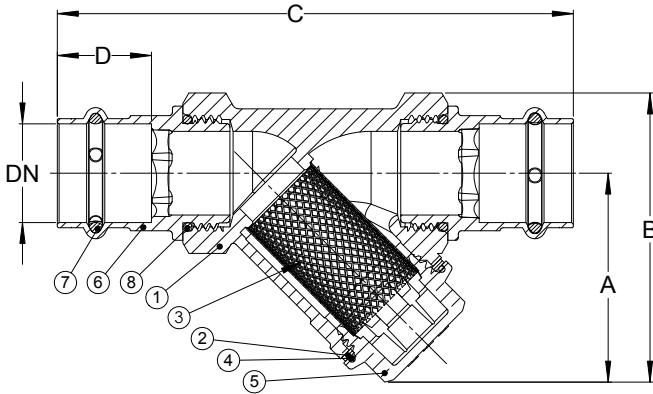


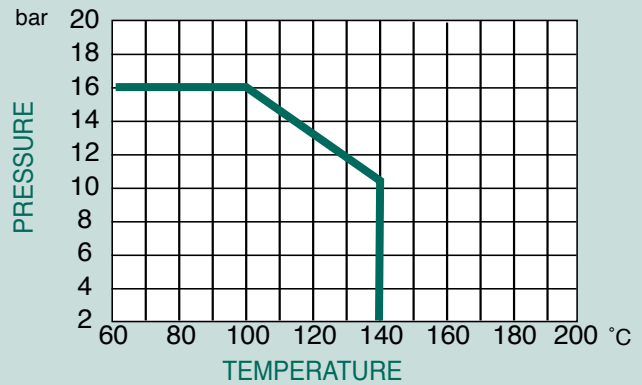
PN16 Brass 'Y' Type Strainer

Features

- 'M' Press Ends
- Brass Body
- EPDM 'O' Rings
- Stainless Steel Strainer
- Pre Press Leak Detection



Pressure / Temperature



Technical Data

| | |
|---------------------|-----------------|
| Max Pressure | 16 Bar |
| Working Temperature | -10°C to +140°C |

| DN | 15 | 22 | 28 | 35 | 42 | 54 |
|-----|------|------|------|------|------|------|
| A | 40 | 46 | 58 | 70 | 80 | 100 |
| B | 56 | 65 | 81 | 99 | 111 | 140 |
| C | 118 | 136 | 148 | 164 | 185 | 227 |
| D | 22 | 25 | 27 | 27 | 32 | 37 |
| Kgs | 0.32 | 0.45 | 0.60 | 1.07 | 1.32 | 2.35 |

| N. | Part Name | Materials |
|----|----------------|-----------------|
| 1 | Body | Brass |
| 2 | Gasket | NA1100 |
| 3 | Strainer | Stainless Steel |
| 4 | O-Ring | HNBR |
| 5 | Bonnet | Brass |
| 6 | Adaptor | DZR Brass |
| 7 | O-Ring (Delta) | EPDM 70 PEROX |
| 8 | O-Ring | EPDM 70 PEROX |

Dimensions in mm

This data sheet is designed as a guide and should not be regarded as wholly accurate in every detail. We reserve the right to amend the specification of any product without notice.