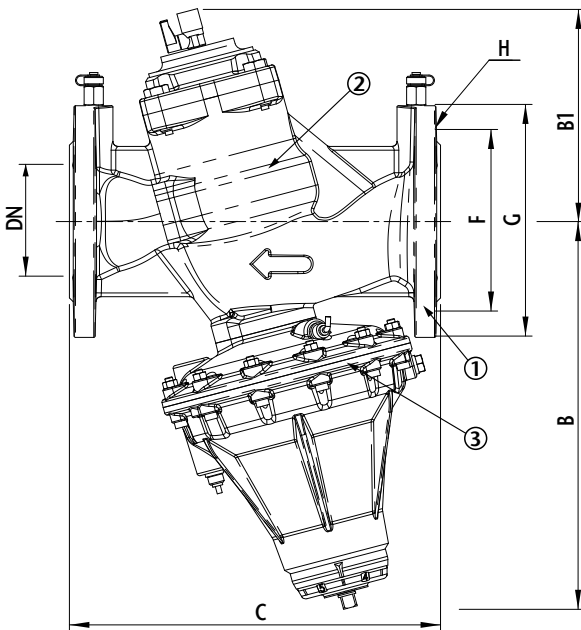
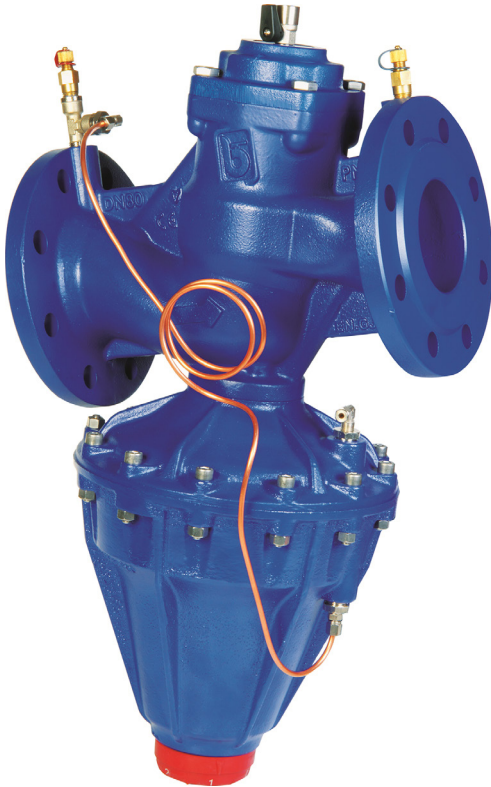


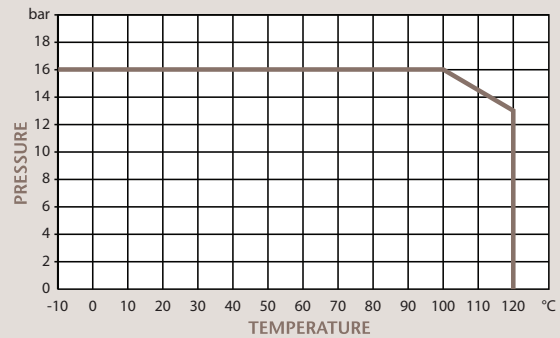
PN16 Differential Pressure Control Valve (DPCV)

Features

- Cast Iron EN GJL 250, Flanged EN 1092-1, F-F EN 558-1
- Flow or Return line mounted
- Differential pressure can be set & adjusted in situ
- Reduction of commissioning, improved energy saving
- Phased installation & system future proofing
- ART 250 partner valve option available when ART 24BV, ART24670B & impulse tube also supplied



Pressure/Temperature



N.	Part Name	Materials
1	Body	EN GJL250
2	Regulator	CuZn40Pb2
3	Diaphragm	EPDM

Technical Data

Max Pressure	16 Bar
Working Temperature	-10°C to +120°C
Differential Pressure Range	16 Bar (1600 kPa)

DN	65 Low ΔP	65 High ΔP	80 Low ΔP	80 High ΔP	100 Low ΔP	100 High ΔP	125 Low ΔP	150 Low ΔP
B	310	310	400	400	414	414	436	460
B1	170	170	182	182	200	200	275	300
C	290	290	310	310	350	350	400	480
F	145	145	160	160	180	180	210	240
H	18x4	18x4	18x8	18x8	18x8	18x8	18x8	22x8
G	185	185	200	200	220	220	250	285
Kgs	21.6	21.6	28.1	28.1	33.6	33.6	46.4	75.4
Flow (l/s)	0.278-20.833	0.556-20.833	0.334-23.611	0.834-27.777	0.416-33.333	0.834-41.667	0.834-47.222	1.111-63.889
ΔP vers (kPa)	20-80	80-160	20-80	80-160	20-80	80-160	20-80	20-80
Kvs	44.6	52	78.3	83.7	104.8	106.7	152.3	204

Dimensions in mm

This data sheet is designed as a guide and should not be regarded as wholly accurate in every detail. We reserve the right to amend the specification of any product without notice.