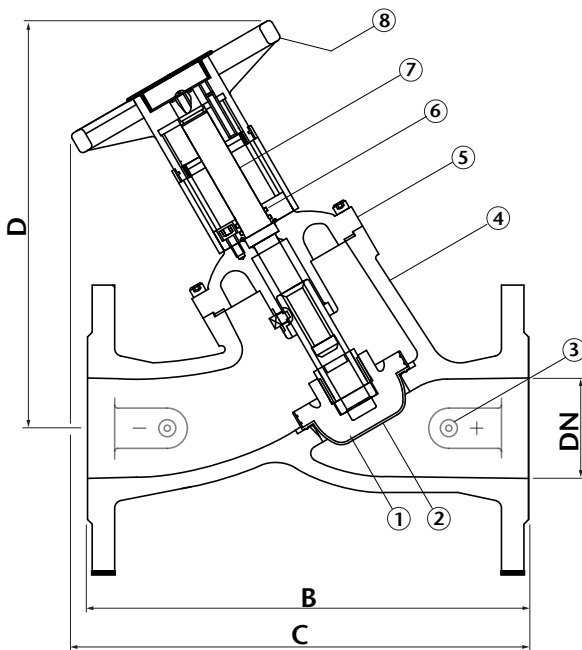




PN16 D Iron Variable Orifice DR Valve

Features

- Flanged PN16
- Position indicator
- Double regulating device
- Supplied with 2 fitted test points and extensions
- EPDM cone seating gives tight shut off
- Body ductile iron



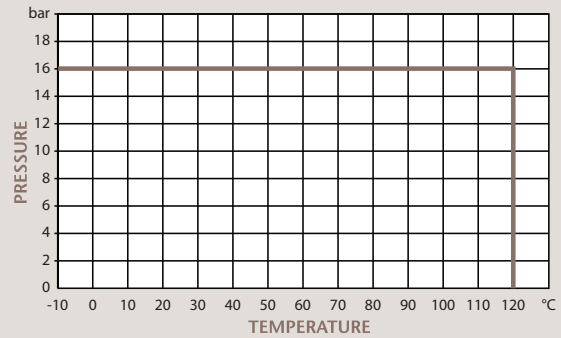
Technical Data

Max Pressure	16 Bar
Working Temperature	-10°C to +120°C

Dimensions in mm

This data sheet is designed as a guide and should not be regarded as wholly accurate in every detail. We reserve the right to amend the specification of any product without notice.

Pressure/Temperature



DN	50	65	80	100	125	150	200	250	300
B	230	290	310	350	400	480	600	730	850
C	285	335	350	370	405	485	605	730	850
D	269	318	320	340	375	403	537	596	695
Kgs	12.6	17.4	23	30	43	56	129	197	237

N.	Part Name	Materials
1	Cone	Cast Iron
2	Cone Seat	EPDM Rubber
3	Pressure Test Point	Brass
4	Body	Ductile Iron
5	Bonnet	Cast Iron
6	'O' Rings	EPDM Rubber
7	Stem	304 Stainless Steel
8	Handwheel	Aluminium Alloy