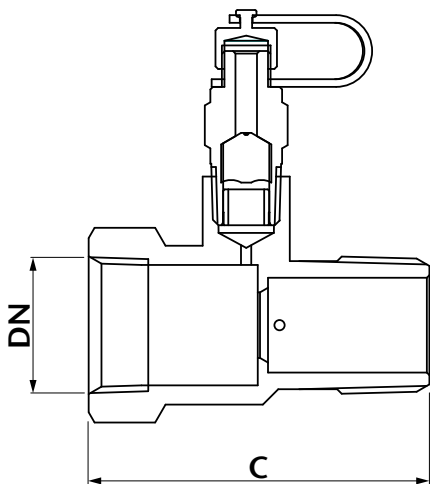
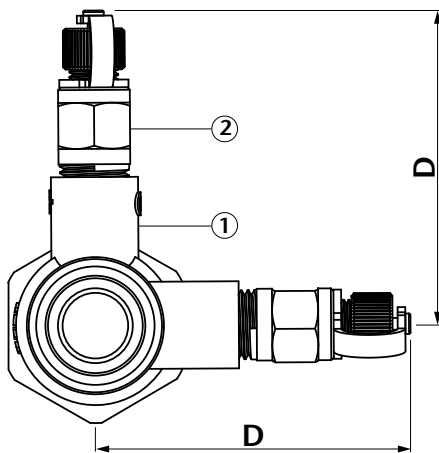
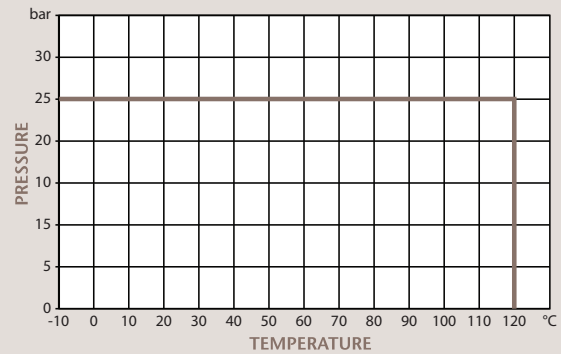


## PN25 DZR Metering Station

### Features

- Screwed BSP Taper
- Fixing orifice with  $\pm 5\%$  flow measurement accuracy
- Can be close coupled to a double regulating valve
- Supplied with 2 fitted test points
- $\frac{1}{2}$ " available in Std., Med., Low, Ultra Low and Ultra Ultra Low flow versions

### Pressure/Temperature



### Technical Data

Max Pressure	25 Bar
Working Temperature	-10°C to +120°C

Dimensions in mm

This data sheet is designed as a guide and should not be regarded as wholly accurate in every detail. We reserve the right to amend the specification of any product without notice.

DN	$\frac{1}{2}$ "	$\frac{3}{4}$ "	1"	1 $\frac{1}{4}$ "	1 $\frac{1}{2}$ "	2"
C	67	67	64	71	71	80
D	59	62	65	70	73	79
Kgs	0.22	0.27	0.31	0.46	0.52	0.77

N.	Part Name	Materials
1	Body	DZR Brass
2	Binder Test Point	DZR Brass