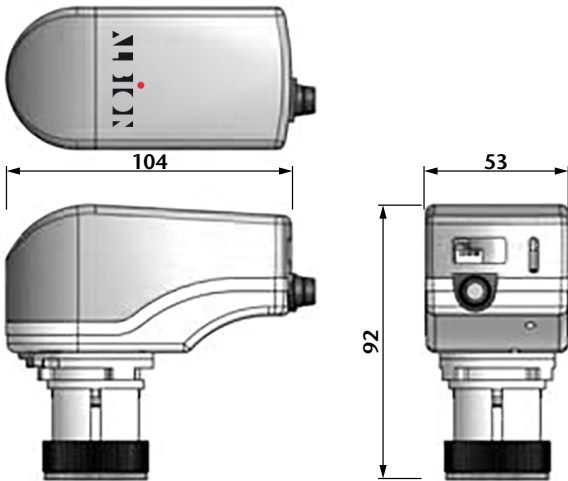


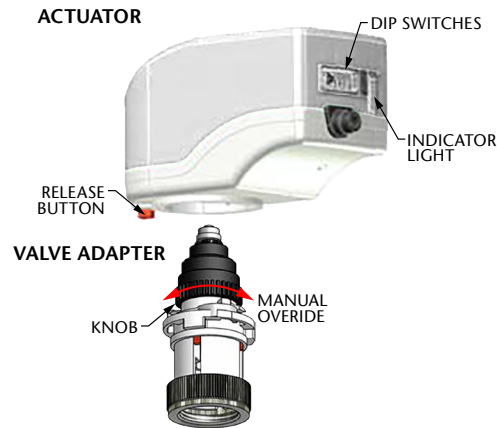
C21V / C22V / C23E



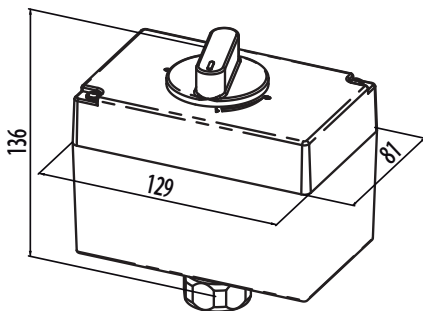
Control Actuator to fit PICV ART 20C ALL SIZES / ART 20 DN15-32

Features

- C21V 24 VAC 3 point control
- C22V 230 VAC 3 point control
- C23E 24 VAC 0-10VDC modulation control
- Easy installation. No tools required
- Manual override
- Indicator Light
- Includes 1M cable (Longer cables can be ordered)
- Stall-proof, maintenance free
- Auto stroke on power-up
- Feedback (C23E only)
- Max. force 250N
- Max stroke 6.5mm
- Weight 0.400Kgs



C21VL / C22VL / C23EL



Control Actuator to fit PICV ART 20 DN40-50

Features

- C21VL 24 VAC 3 point control
- C22VL 230 VAC 3 point control
- C23EL 24 VAC 0-10VDC modulation control
- Easy installation. No tools required
- Manual override
- Indicator Light
- Stall-proof, maintenance free
- Feedback (C23EL only)
- Manual operation by adjusting handle
- Max. force 400N
- Max stroke 6.5mm
- Weight 0.450Kgs
- Input impedance >100 k Ohm (DC 0-10V)

Dimensions in mm

This data sheet is designed as a guide and should not be regarded as wholly accurate in every detail. We reserve the right to amend the specification of any product without notice.