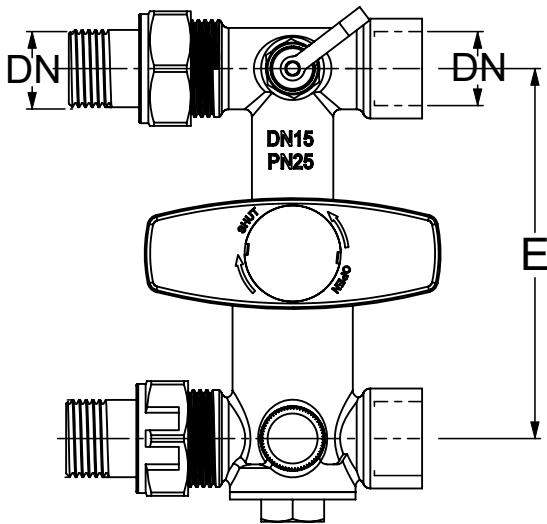
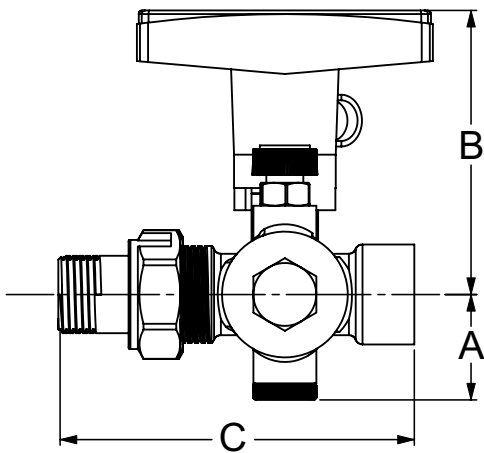


H Block Screwed

Features

- Screwed BSP F X Union Male
- Body Brass CW 602 N-M
- 5 year guarantee
- Tested to EN12266-1:2003
- Complete with test point & Air vent



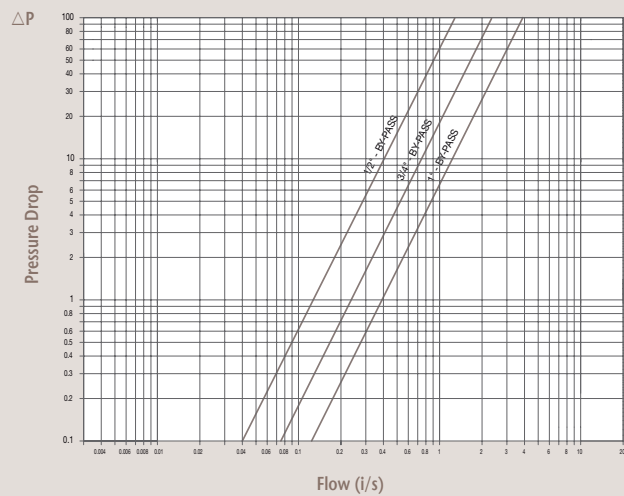
Technical Data

Max Pressure	25 Bar
Working Temperature	-10°C to +120°C

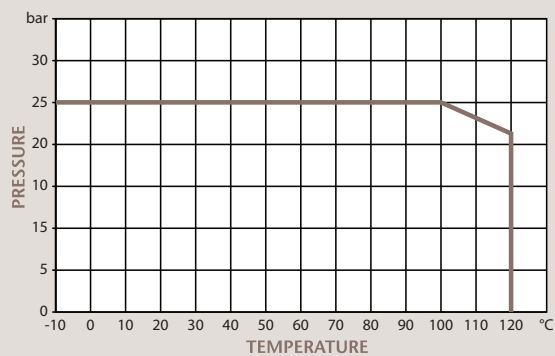
Dimensions in mm

This data sheet is designed as a guide and should not be regarded as wholly accurate in every detail. We reserve the right to amend the specification of any product without notice.

Flow and Pressure Drop



Pressure/Temperature



DN	1/2"	3/4"	1"	1 1/4"	1 1/2"
Ø	15	20	25	32	46
A	29	33	35	37.5	37.5
B	77	81	85	85	85
C	96	119	143	157	165
E	100	100	150	175	175
Kgs	0.79	1.17	1.58	2.86	3.50