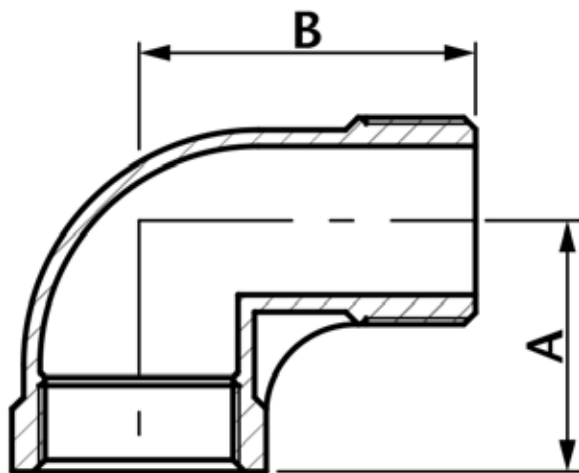




90° M/F Elbow

DN	A	B	Kgs
1/8"	17	26	0.020
1/4"	19	27	0.032
3/8"	23	29	0.044
1/2"	27.5	37.5	0.076
3/4"	32.5	39	0.113
1"	38	46	0.194
1 1/4"	45	54	0.270
1 1/2"	48	57	0.360
2"	57	70	0.583
2 1/2"	69	83	0.919
3"	78	94	1.583
4"	97	115	2.696



- Made from CF8M (316) Stainless Steel material and conform to **ISO 4144** standard.
- Threads are to ISO 7-1 (DIN2999) BSPP Female, BSPT Male.
- Material certificates available on request.
- Pressure temperature ratings. See table below.

Temperature (°C)	Non-shock maximum working pressure (bar)
-20 to 40	20
100	16.5
150	15
200	14
220	13.5

NOTE 1 Pressure for intermediate temperatures may be determined by the interpolation method.

NOTE 2 Temperatures indicated are those of internal fluid.

NOTE 3 Piping loads, stresses and moments are not taken into account.

- Tested & inspected prior to despatch.
- 12 month warranty from date of installation.
- Manufactured in accordance with ISO9001:2008 quality system.