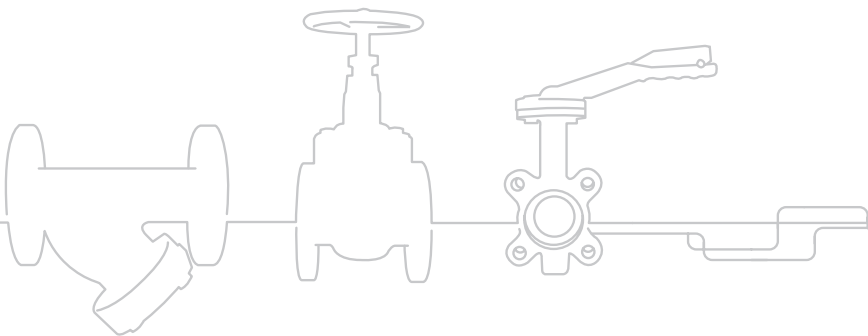


Radiator Valves



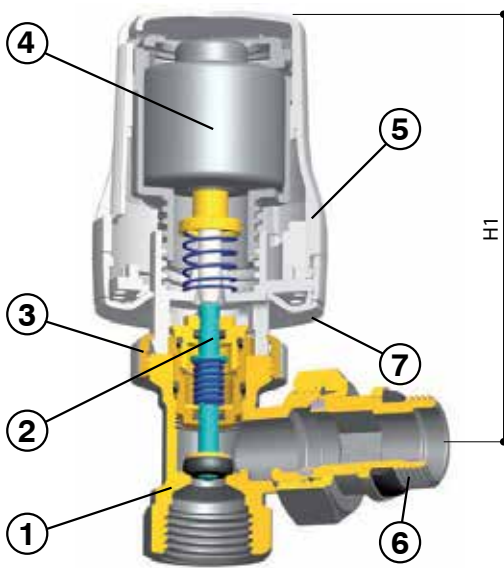
Product Information



Thermostatic Head

Features

- Lockable Head
- Liquid Sensor
- Frost Setting 6°C
- Conforms to EN215
- M30 x 1.5 Standard Connection



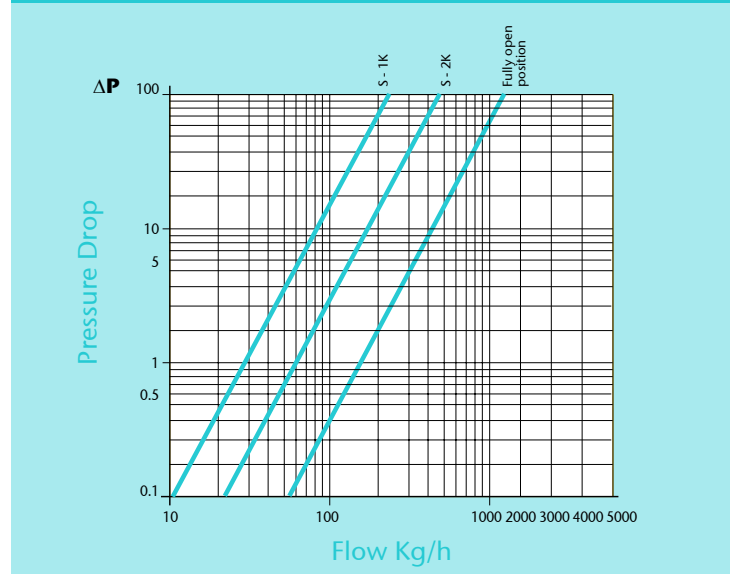
Technical Data

Pressure 10 Bar
Max Working Temperature 100°C

Dimensions in mm

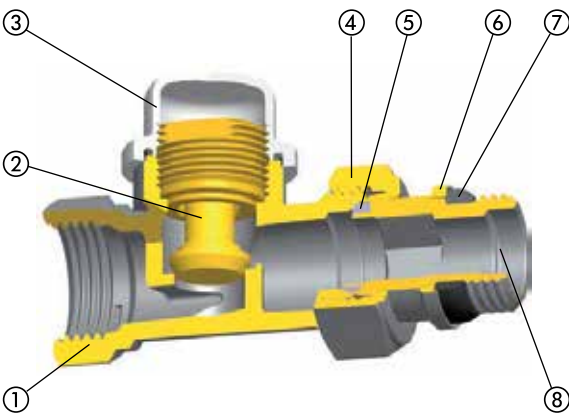
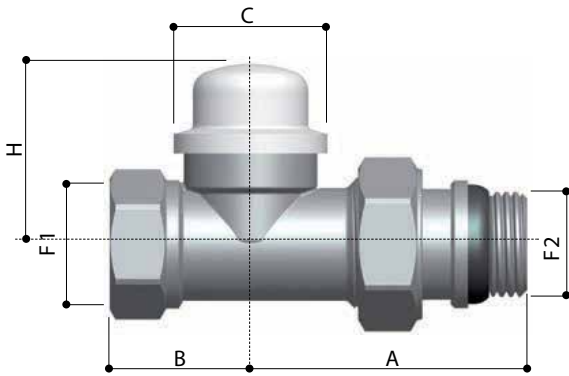
This data sheet is designed as a guide and should not be regarded as wholly accurate in every detail. We reserve the right to amend the specification of any product without notice.

Flow And Pressure Drop



C	51.0
H	76.5
H1	97.0

N.	Part Name	Materials
1	Body	Brass Nickel Plated
2	Bonnet	Brass
3	Locking Ring	Brass Nickel Plated
4	Thermostat	-
5	Handle	ABS
6	Tail Piece	Brass Nickel Plated
7	Ring	ABS



Technical Data

Pressure 10 Bar
Max Working Temperature 100°C

Dimensions in mm

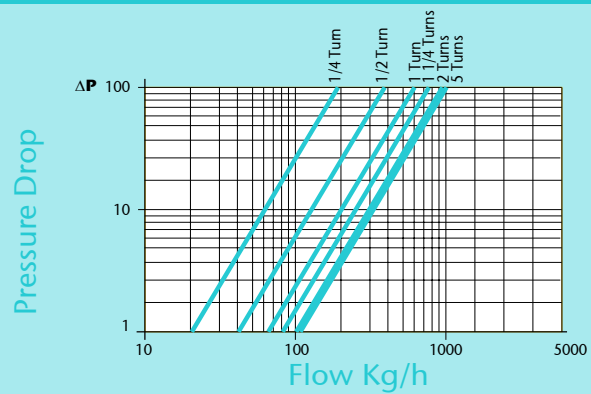
This data sheet is designed as a guide and should not be regarded as wholly accurate in every detail. We reserve the right to amend the specification of any product without notice.

Straight Lockshield Radiator Valve

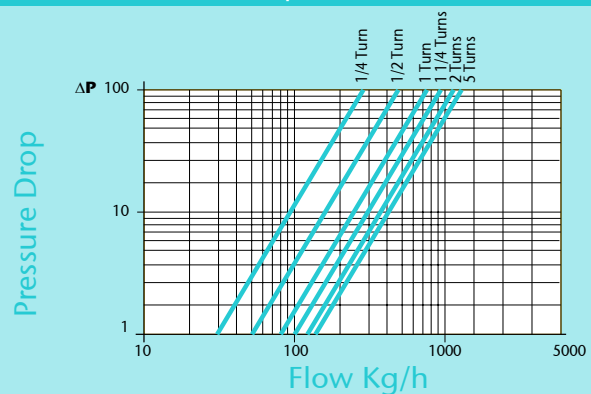
Features

- Screwed BSP Parallel M/F
- Auto Seal Tail Piece
- Suitable for use with all radiators
- BSP to Copper Adapter Available on Request

Flow And Pressure Drop - 1/2" Valve

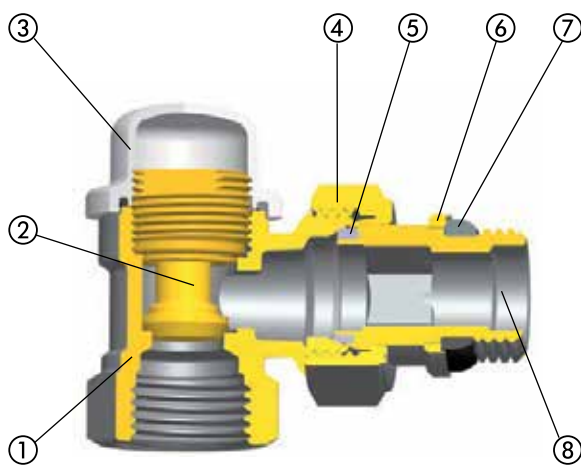
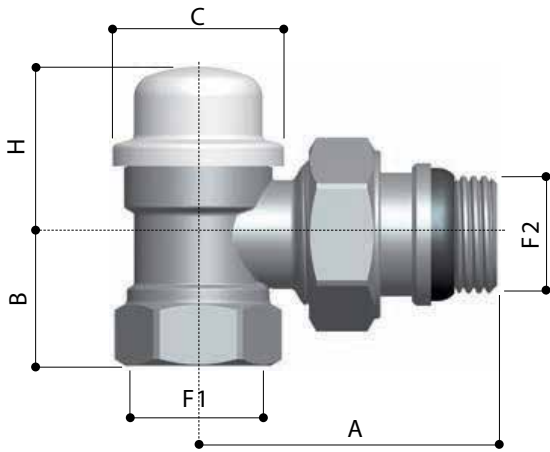


Flow And Pressure Drop - 3/4" Valve



DN	3/8"	1/2"	3/4"
A	48.0	53.5	61.0
B	25.0	27.5	32.5
C	29.0	29.0	29.0
F1	3/8"	1/2"	3/4"
F2	3/8"	1/2"	3/4"
H	31.0	35.0	37.0

N.	Part Name	Materials
1	Body	Brass Nickel Plated
2	Bonnet	Brass
3	Cap	ABS
4	Nut	Brass Nickel Plated
5	Gasket	PTFE
6	Washer	Brass Nickel Plated
7	Gasket Rubber	EPDM
8	Tail Piece	Brass Nickel Plated

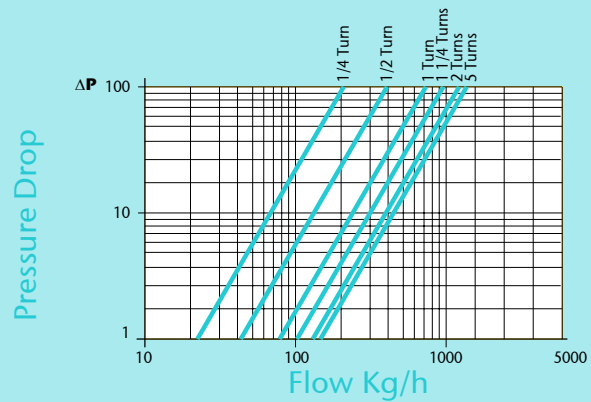


Angle Lockshield Radiator Valve

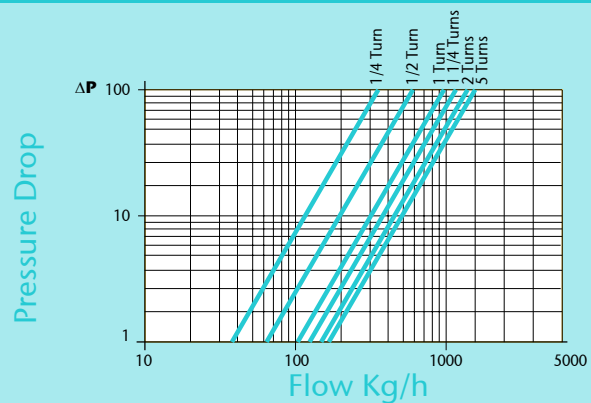
Features

- Screwed BSP Parallel M/F
- Auto Seal Tail Piece
- Suitable for use with all radiators
- BSP to Copper Adapter Available on Request

Flow And Pressure Drop - 1/2" Valve



Flow And Pressure Drop - 3/4" Valve



DN	3/8"	1/2"	3/4"
A	47.0	52.0	59.0
B	20.0	23.0	26.0
C	29.0	29.0	29.0
F1	3/8"	1/2"	3/4"
F2	3/8"	1/2"	3/4"
H	26.0	29.5	31.5

N.	Part Name	Materials
1	Body	Brass Nickel Plated
2	Bonnet	Brass
3	Cap	ABS
4	Nut	Brass Nickel Plated
5	Gasket	PTFE
6	Washer	Brass Nickel Plated
7	Gasket Rubber	EPDM
8	Tail Piece	Brass Nickel Plated

Technical Data

Pressure 10 Bar
Max Working Temperature 100°C

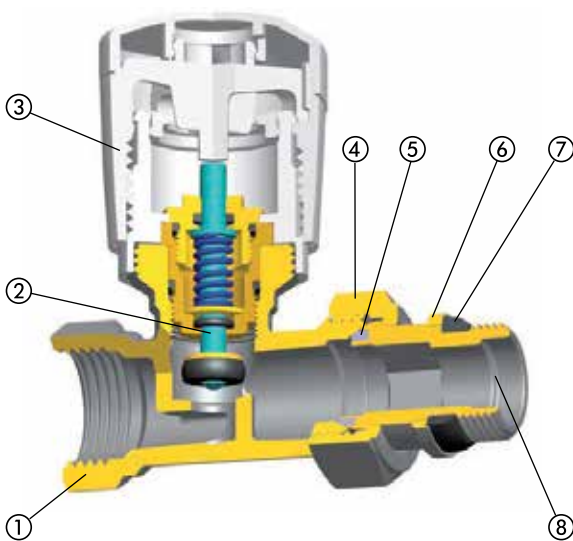
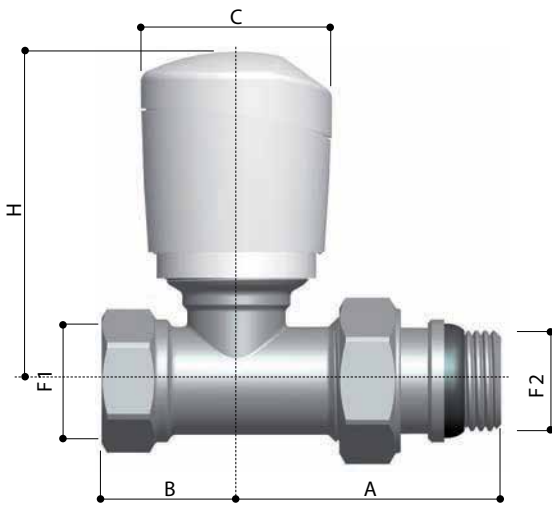
Dimensions in mm

This data sheet is designed as a guide and should not be regarded as wholly accurate in every detail. We reserve the right to amend the specification of any product without notice.

Straight Wheel Head Radiator Valve

Features

- Screwed BSP Parallel M/F
- Auto Seal Tail Piece
- Suitable for use with all radiators
- BSP to Copper Adapter Available on Request



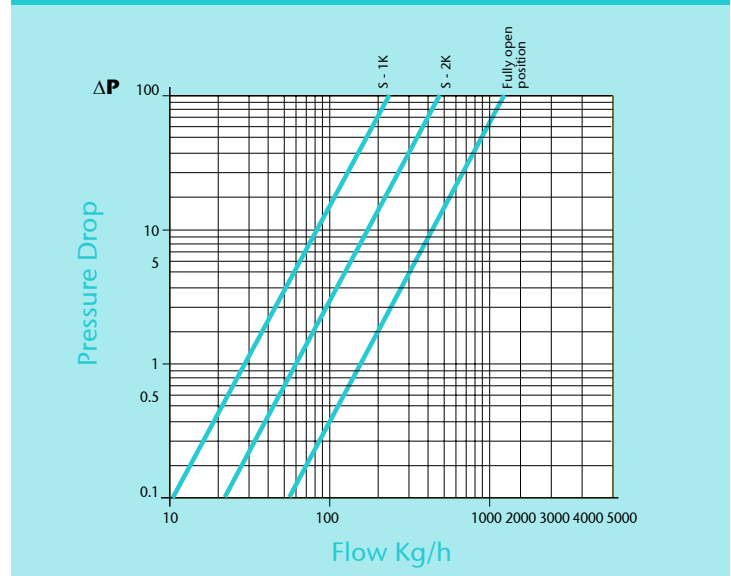
Technical Data

Pressure 10 Bar
Max Working Temperature 100°C

Dimensions in mm

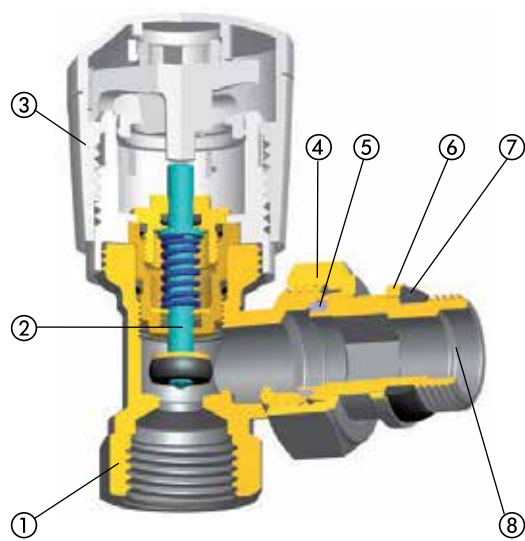
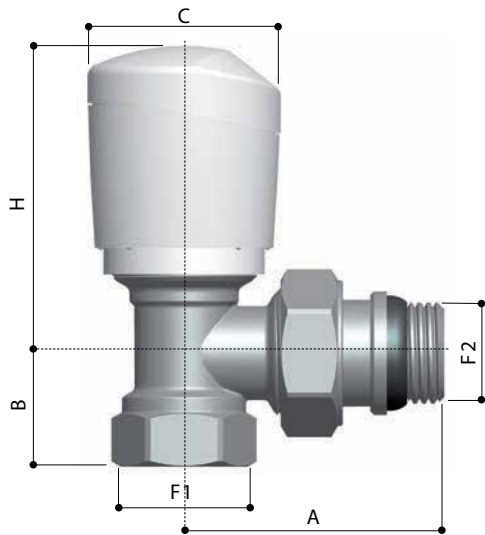
This data sheet is designed as a guide and should not be regarded as wholly accurate in every detail. We reserve the right to amend the specification of any product without notice.

Flow And Pressure Drop



DN	3/8"	1/2"	3/4"
A	48.0	53.5	61.0
B	25.0	27.5	32.5
C	39.0	39.0	39.0
F1	3/8"	1/2"	3/4"
F2	3/8"	1/2"	3/4"
H	67.0	67.0	69.0

N.	Part Name	Materials
1	Body	Brass Nickel Plated
2	Bonnet	Brass
3	Handle	ABS
4	Nut	Brass Nickel Plated
5	Gasket	PTFE
6	Washer	Brass Nickel Plated
7	Gasket Rubber	EPDM
8	Tail Piece	Brass Nickel Plated

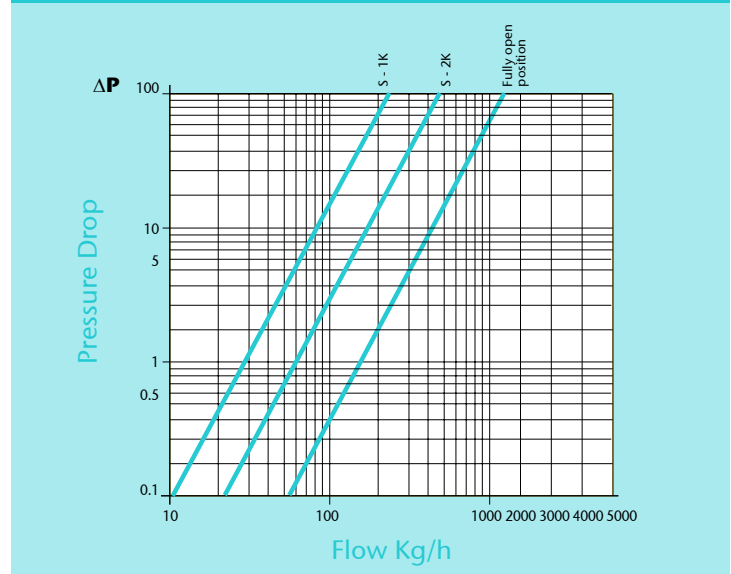


Angle Wheel Head Radiator Valve

Features

- Screwed BSP Parallel M/F
- Auto Seal Tail Piece
- Suitable for use with all radiators
- BSP to Copper Adapter Available on Request

Flow And Pressure Drop



DN	3/8"	1/2"	3/4"
A	47.0	52.0	59.0
B	20.0	23.0	26.0
C	39.0	39.0	39.0
F1	3/8"	1/2"	3/4"
F2	3/8"	1/2"	3/4"
H	62.0	62.0	62.0

N.	Part Name	Materials
1	Body	Brass Nickel Plated
2	Bonnet	Brass
3	Handle	ABS
4	Nut	Brass Nickel Plated
5	Gasket	PTFE
6	Washer	Brass Nickel Plated
7	Gasket Rubber	EPDM
8	Tail Piece	Brass Nickel Plated

Technical Data

Pressure 10 Bar
Max Working Temperature 100°C

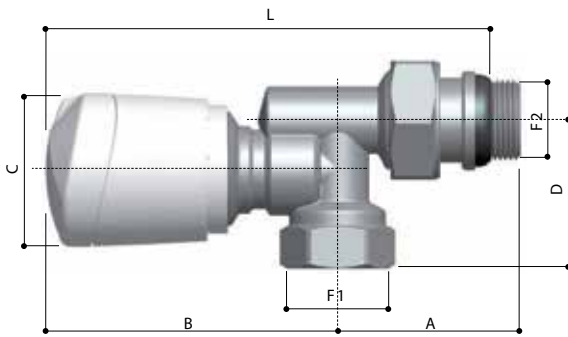
Dimensions in mm

This data sheet is designed as a guide and should not be regarded as wholly accurate in every detail. We reserve the right to amend the specification of any product without notice.

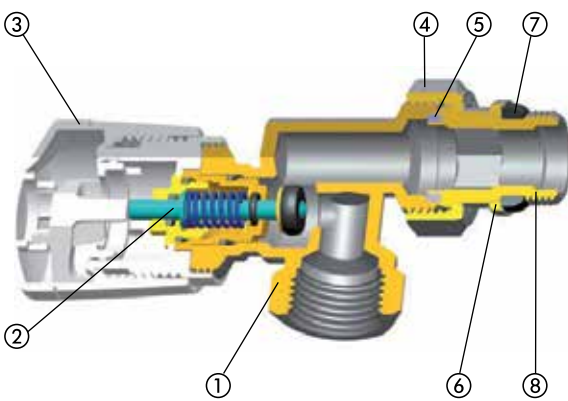
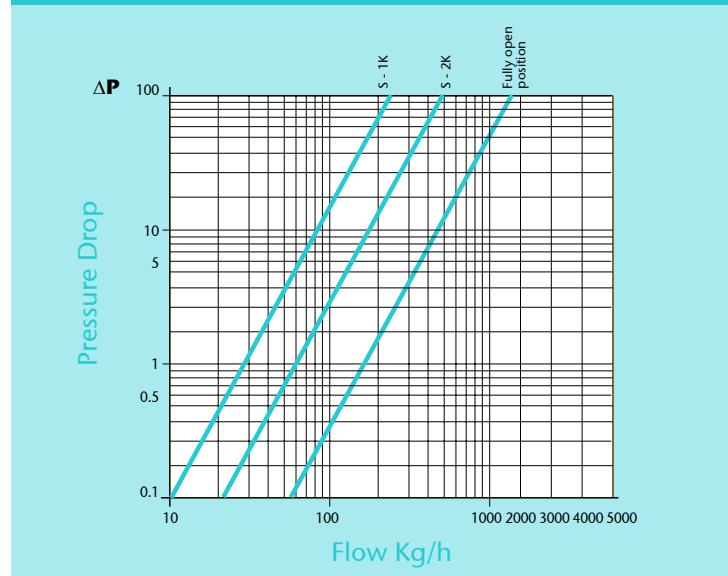
Reverse Angle Wheel Head Radiator Valve

Features

- Screwed BSP Parallel M/F
- Auto Seal Tail Piece
- Suitable for use with all radiators
- BSP to Copper Adapter Available on Request



Flow And Pressure Drop



DN	1/2"
A	47.0
B	74.0
C	39.0
D	37.0
F1	1/2"
F2	1/2"
L	114.0

N.	Part Name	Materials
1	Body	Brass Nickel Plated
2	Bonnet	Brass
3	Handle	ABS
4	Nut	Brass Nickel Plated
5	Gasket	PTFE
6	Washer	Brass Nickel Plated
7	Gasket Rubber	EPDM
8	Tail Piece	Brass Nickel Plated

Technical Data

Pressure 10 Bar
Max Working Temperature 100°C

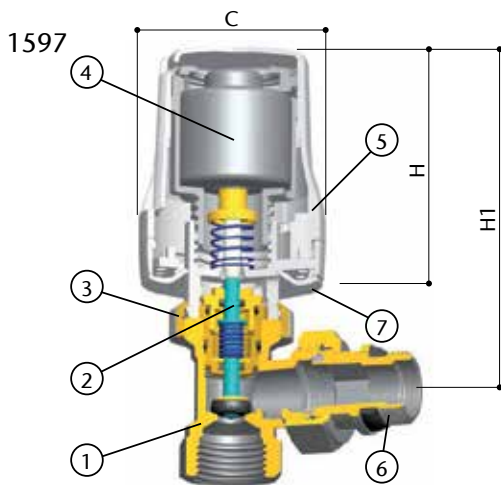
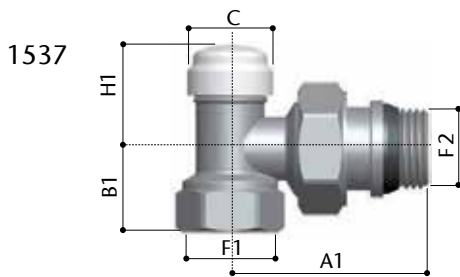
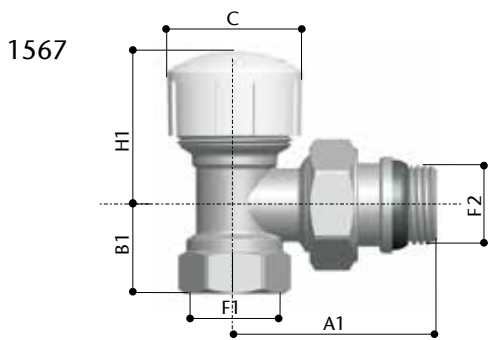
Dimensions in mm

This data sheet is designed as a guide and should not be regarded as wholly accurate in every detail. We reserve the right to amend the specification of any product without notice.

1/2" Angle Radiator Pack

Features

- 1/2" Angle Radiator TRV, Sensor Head & Lock shield pack
- Includes ART 1597, ART 1537 & 2x ART 1504
- Screwed BSP Parallel M/F threads with Auto Seal Tail Piece
- Conforms to EN215 & suitable for use with all radiators
- Liquid Filled Sensor & TRV both have standard M30 x1.5 connection
- ART 1597 locking ring Temperature set-point lock & limit function



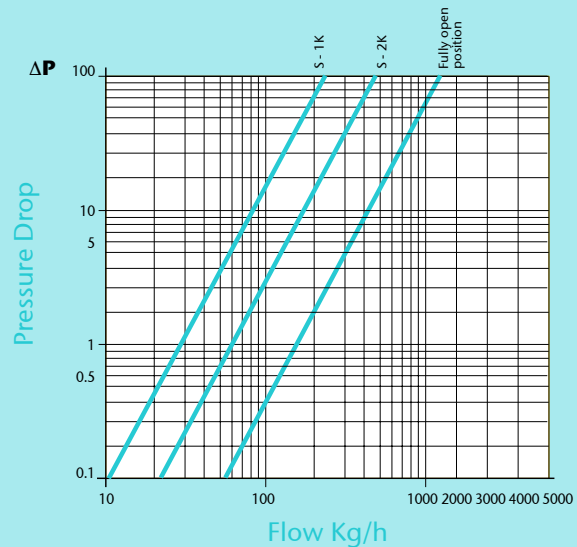
Technical Data

Pressure 10 Bar
Max Working Temperature 100°C

Dimensions in mm

This data sheet is designed as a guide and should not be regarded as wholly accurate in every detail. We reserve the right to amend the specification of any product without notice.

Flow And Pressure Drop - TRV ART 1567



DN 1/2"	TRV	L/S	Sensor	Sensor/TRV Height
A	53.5	49.5		
B	27.5	23		
H	45	32	76.5	
A1	52	51		
B1	23	21.5		
H1	40	26		97
C	35	22	51	
F1	1/2	1/2		
F2	1/2	1/2		

N	Part Name	Materials
1	Body	Brass Nickel Plated
2	Bonnet	Brass
3	Locking ring	Brass Nickel Plated
4	Thermostat	-
5	Handle	ABS
6	Tail Piece	Brass Nickel Plated
5	Ring	ABS



Certificate No. 1437B



Certificate No. 1437A

Distributor