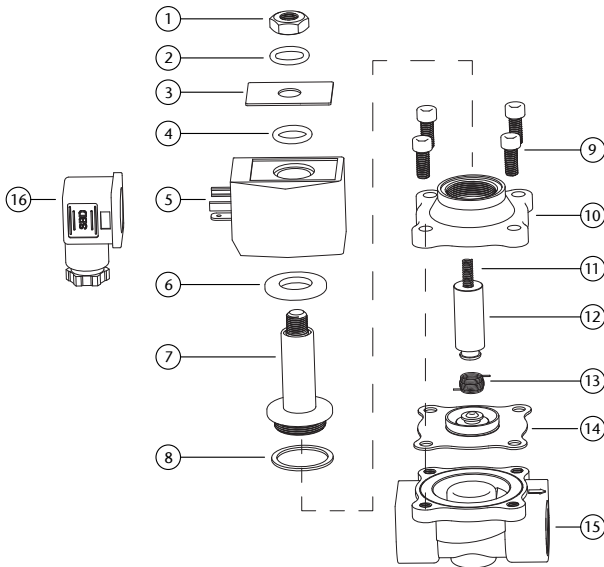


Parts Diagram

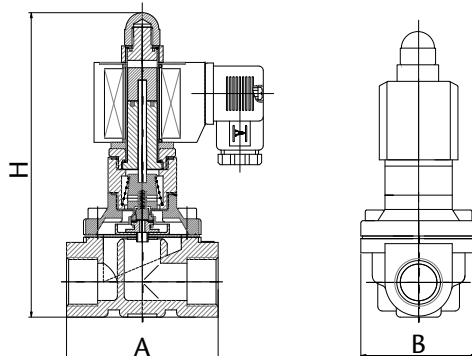


| N. | Component | Material |
|----|-------------------|----------------------------|
| 1 | Lock Nut | Stainless Steel 302 |
| 2 | Washer | Stainless Steel 302 |
| 3 | Plate | Aluminium |
| 4 | O Ring | NBR/EPDM/Viton |
| 5 | Coil | Enamelled Wire |
| 6 | Baseplate | Plated Steel |
| 7 | Plunger Tube Unit | Stainless Steel 304 +1J117 |
| 8 | Plunger Tube Seal | PTFE |
| 9 | Bolt | Stainless Steel 302 |
| 10 | Valve Cover | Brass/Stainless Steel 316 |
| 11 | Plunger Spring | Stainless Steel 304 |
| 12 | Pilot Unit | Stainless Steel 304 +1J117 |
| 13 | Coil Spring | Stainless Steel 304 |
| 14 | Diaphragm Unit | NBR/EPDM/Viton |
| 15 | Valve Body | Brass/Stainless Steel 316 |
| 16 | Plug | Nylon |

Available in 230VAC, 110VAC
12VDC, 24VDC, 24VAC

Main Dimensions

See Table Opposite



2/2 Solenoid Valve Normally Open

Valve Specification

| Port Size (G) | Orifice | CV Value | Pressure Difference (Bar) | | | | | | | Max. Temp. (°C) | VA AC 230V | W DC 24V | Diaphragm | Main Dimension |
|--------------------------|---------|----------|---------------------------|-----------------------|----|--------------------|----|------------------|----|-----------------|------------|----------|-----------|----------------|
| | | | Min. | Max. Working Pressure | | | | | | | | | | AxBxH |
| | | | | Air / Gas | | Water / Hot Liquid | | Light Oil ≤20CST | | | | | | |
| | | | | AC | DC | AC | DC | AC | DC | | | | | |
| 3/8" | 4 | 0.6 | 0 | 5 | 3 | 5 | 3 | 3 | 3 | 80 | 57 | 32 | NBR | 52.5x32.5x115 |
| | 4 | 0.6 | 0 | 5 | 3 | 5 | 3 | | | 120 | 57 | 32 | EPDM | 52.5x32.5x115 |
| | 4 | 0.6 | 0 | 5 | 3 | 5 | 3 | 3 | 3 | 120 | 57 | 32 | VITON | 52.5x32.5x115 |
| 16 | 16 | 4.8 | 0 | 5 | 3 | 3 | 5 | 3 | 3 | 80 | 57 | 32 | NBR | 69x57x135 |
| | 16 | 4.8 | 0 | 5 | 3 | 3 | 5 | | | 120 | 57 | 32 | EPDM | 69x57x135 |
| | 16 | 4.8 | 0 | 5 | 3 | 3 | 5 | 3 | 3 | 120 | 57 | 32 | VITON | 69x57x135 |
| 1/2" | 16 | 4.8 | 0 | 5 | 3 | 5 | 3 | 3 | 3 | 80 | 57 | 32 | NBR | 69x57x135 |
| | 16 | 4.8 | 0 | 5 | 3 | 5 | 3 | | | 120 | 57 | 32 | EPDM | 69x57x135 |
| | 16 | 4.8 | 0 | 5 | 3 | 5 | 3 | 3 | 3 | 120 | 57 | 32 | VITON | 69x57x135 |
| 3/4" | 20 | 7.6 | 0 | 5 | 3 | 5 | 3 | 3 | 3 | 80 | 57.2 | 32 | NBR | 73x57x142 |
| | 20 | 7.6 | 0 | 5 | 3 | 5 | 3 | | | 120 | 57.2 | 32 | EPDM | 73x57x142 |
| | 20 | 7.6 | 0 | 5 | 3 | 5 | 3 | 3 | 3 | 120 | 57.2 | 32 | VITON | 73x57x142 |
| 1" | 25 | 12 | 0 | 5 | 3 | 5 | 3 | 3 | 3 | 80 | 57.2 | 32 | NBR | 99x77.5x150 |
| | 25 | 12 | 0 | 5 | 3 | 5 | 3 | | | 120 | 57.2 | 32 | EPDM | 99x77.5x150 |
| | 25 | 12 | 0 | 5 | 3 | 5 | 3 | 3 | 3 | 120 | 57.2 | 32 | VITON | 99x77.5x150 |
| 1.1/4" | 32 | 24 | 0 | 5 | 3 | 5 | 3 | 3 | 3 | 80 | 70 | 40 | NBR | 112x86.5x180 |
| | 32 | 24 | 0 | 5 | 3 | 5 | 3 | | | 120 | 70 | 40 | EPDM | 112x86.5x180 |
| | 32 | 24 | 0 | 5 | 3 | 5 | 3 | 3 | 3 | 120 | 70 | 40 | VITON | 112x86.5x180 |
| 1.1/2" | 40 | 29 | 0 | 5 | 3 | 5 | 3 | 3 | 3 | 80 | 70 | 40 | NBR | 123x94x190 |
| | 40 | 29 | 0 | 5 | 3 | 5 | 3 | | | 120 | 70 | 40 | EPDM | 123x94x190 |
| | 40 | 29 | 0 | 5 | 3 | 5 | 3 | 3 | 3 | 120 | 70 | 40 | VITON | 123x94x190 |
| 2" | 50 | 48 | 0 | 5 | 3 | 5 | 3 | 3 | 3 | 80 | 70 | 40 | NBR | 168x123x216 |
| | 50 | 48 | 0 | 5 | 3 | 5 | 3 | | | 120 | 70 | 40 | EPDM | 168x123x216 |
| | 50 | 48 | 0 | 5 | 3 | 5 | 3 | 3 | 3 | 120 | 70 | 40 | VITON | 168x123x216 |
| 1" Flange Connection | 25 | 12 | 0 | 5 | 3 | 5 | 3 | 3 | 3 | 80 | 57 | 32 | NBR | 140x115x180 |
| | 25 | 12 | 0 | 5 | 3 | 5 | 3 | | | 120 | 57 | 32 | EPDM | 140x115x180 |
| | 25 | 12 | 0 | 5 | 3 | 5 | 3 | 3 | 3 | 120 | 57 | 32 | VITON | 140x115x180 |
| 1.1/4" Flange Connection | 32 | 24 | 0 | 5 | 3 | 5 | 3 | 3 | 3 | 80 | 70 | 40 | NBR | 152x135x235 |
| | 32 | 24 | 0 | 5 | 3 | 5 | 3 | | | 120 | 70 | 40 | EPDM | 152x135x235 |
| | 32 | 24 | 0 | 5 | 3 | 5 | 3 | 3 | 3 | 120 | 70 | 40 | VITON | 152x135x235 |
| 1.1/2" Flange Connection | 40 | 29 | 0 | 5 | 3 | 5 | 3 | 3 | 3 | 80 | 70 | 40 | NBR | 152x145x240 |
| | 40 | 29 | 0 | 5 | 3 | 5 | 3 | | | 120 | 70 | 40 | EPDM | 152x145x240 |
| | 40 | 29 | 0 | 5 | 3 | 5 | 3 | 3 | 3 | 120 | 70 | 40 | VITON | 152x145x240 |
| 2" Flange Connection | 50 | 48 | 0 | 5 | 3 | 5 | 3 | 3 | 3 | 80 | 70 | 40 | NBR | 195x160x255 |
| | 50 | 48 | 0 | 5 | 3 | 5 | 3 | | | 120 | 70 | 40 | EPDM | 195x160x255 |
| | 50 | 48 | 0 | 5 | 3 | 5 | 3 | 3 | 3 | 120 | 70 | 40 | VITON | 195x160x255 |

Please refer to our price list for stocked items

Dimensions in mm

This data sheet is designed as a guide and should not be regarded as wholly accurate in every detail. We reserve the right to amend the specification of any product without notice.