

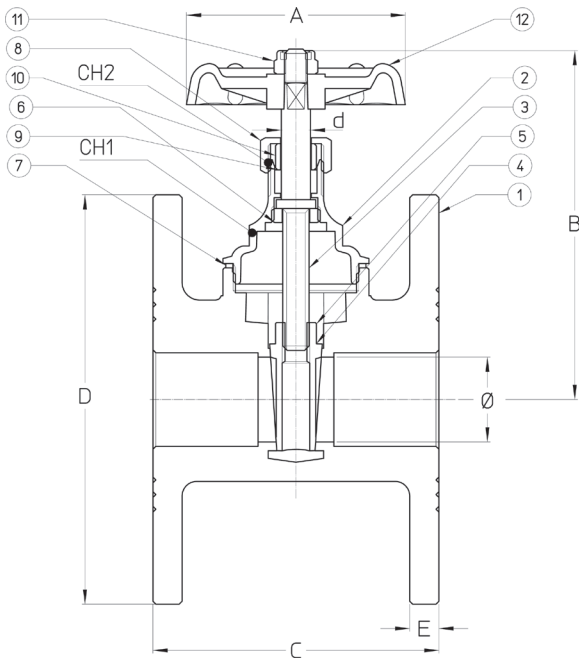
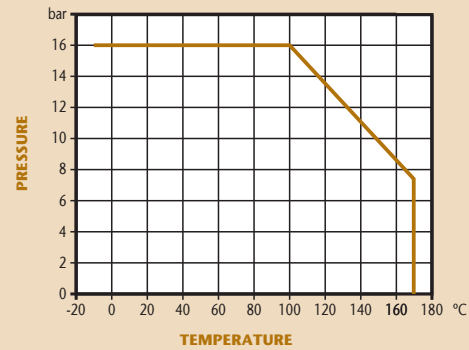
PN16 Flanged Bronze Gate Valve

Features

- Flanged PN16 (undrilled on request)
- Bronze Body
- PN 16 Rated
- BS 5154 (BS EN12288)



Pressure / Temperature



DN	1/2"	3/4"	1"	1 1/4"	1 1/2"	2"	2 1/4"	2 1/2"	3"	4"	5"	6"
Ø	15	20	25	32	40	50	60	70	80	100	125	150
A	55	60	65	75	80	90	90	110	120	140	175	175
B	84	95.5	104	120.5	135	148.5	173	185.5	206	264	316.5	361
C	69	84.5	89	97.5	113	124	140	153.5	158	169.5	191	209.5
D	95	105	119	138.5	147	165	175	183.5	199	229	256	285
E	8.5	9	9.5	10	10.5	9	12	12	12	14	16	18
CH1	24	30	32	32	39	47	49	55	66	84	114	136
CH2	18	18	18	21	23	25	25	30	30	37	45	50
d	8	8	8	10	10	12	12	13	14	17	19	21
Kgs	1.20	1.6	2.16	3.01	3.15	4.53	5.90	7.42	8.65	13.66	20.66	26.56

N.	Part Name	Materials
1	Body	Bronze
2	Bonnet	Brass
3	Stem	Brass
4	Wedge	1/4"-4" Brass
5	Wedge	5"-6" Bronze
6	Stem Ring	Brass
7	Packing	NA 1030 Gr
8	Gland Nut	Brass
9	Gland Packing	AF 15/MA
10	Gland	Brass
11	Nut	Steel
12	Handwheel	Aluminium Alloy

Technical Data

Max Pressure	16 Bar
Working Temperature	-10°C to +170°C

Dimensions in mm

This data sheet is designed as a guide and should not be regarded as wholly accurate in every detail. We reserve the right to amend the specification of any product without notice.