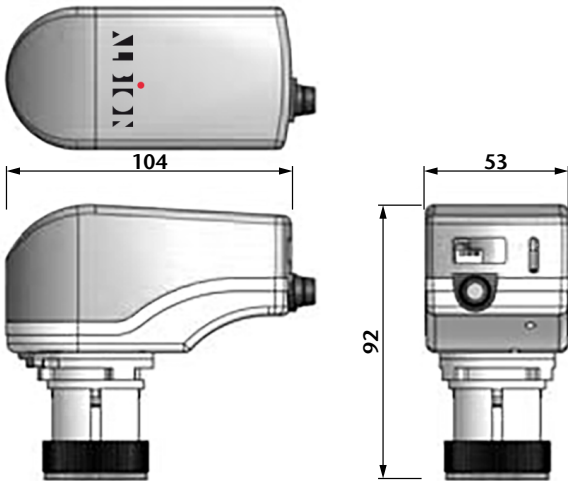
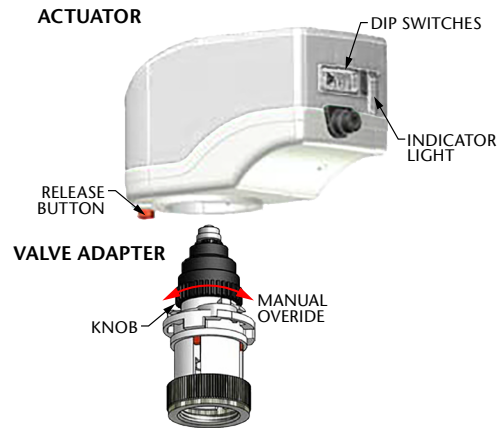


## C21V / C22V / C23E



## Control Actuator to fit PICV ART 20C ALL SIZES / ART 20 DN15-32

Features			
Model	C23E	C21V	C22V
Technical code	ADPI20C23EN	ADPI20C21VN	ADPI20C22VN
Voltage	24 V AC	24 V AC	230 V AC
Control signal	0-10Vdc/4-20mA	3 Position	3 Position
Frequency	50 Hz	50 Hz	50 Hz
Power	5 VA	5 VA	5 VA
Closing and opening times	18.5 sec/mm	18.5 sec/mm	18.5 sec/mm
Degree/Class of protection	IP54	IP54	IP54
Actuator stroke	6.5 mm	6.5 mm	6.5 mm
Actuating force	200 N	200 N	200 N
Cable length	1 m	1 m	1 m
Connection	M30x1.5	M30x1.5	M30x1.5



## C21VL / C22VL / C23EL



## Control Actuator to fit PICV ART 20 DN40-50

Features			
Model	C23EL	C22VL	C21VL
Technical code	ADPI20C23ELC	ADPI20C22VLC	ADPI20C21VLC
Voltage	24 V AC/DC	24 V AC/DC	230 V AC
Control signal	0-10 V DC*	3 Positions	3 Positions
Frequency	50...60 Hz	50...60 Hz	50...60 Hz
Closing and opening times	60/120 sec	60/120 sec	120 sec
Degree/Class of protection	IP 54	IP 54	IP 54
Actuator stroke	0...8mm	0...8mm	8mm
Actuating force	500 N	500 N	500 N
Cable length	1.2 m	1.2 m	1.2 m
Connection	M30	M30	M30

\* linear flow characteristic

Dimensions in mm

This data sheet is designed as a guide and should not be regarded as wholly accurate in every detail. We reserve the right to amend the specification of any product without notice.