

Automatic Gas Valves

Features

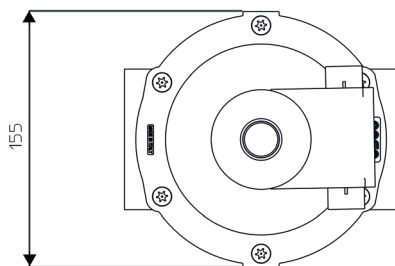
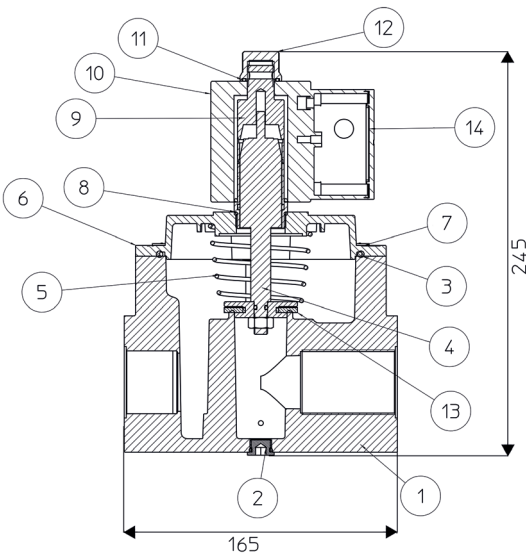
- BSP ISO 228
- Gas family 123 and air
- Approved to EN161
- Complies with PED 97/23/EC
- Fail safe closed
- Automatic reset



Technical Features

Opening time	<1 second
Closing time	<1 second
Max number of operations	20 per minute
Supply Voltage	230V (-15%+10%) 50-60Hz
Power	37W Coils to class F copper wire class H
Test point	5 connections Screw 1/4" NPT
Protection degree	IP65
Weight	1 1/4" - 4kgs 1 1/2" - 4kgs 2" - 4.6kgs

N.	Component	Material
1	Body	Aluminium Alloy
2	Screw Plugs	Aluminium Alloy
3	O-Ring	NBR
4	Plunger	Steel - Brass
5	Spring	Stainless Steel
6	Cover	Aluminium Alloy
7	Screw	Steel
8	O-Ring	NBR
9	Pilot	Steel Brass
10	Coil	Steel - Nylon - Copper
11	O-Ring	NBR
12	Locking Ring	Aluminium Alloy
13	Gasket	NBR
14	Connector	Nylon

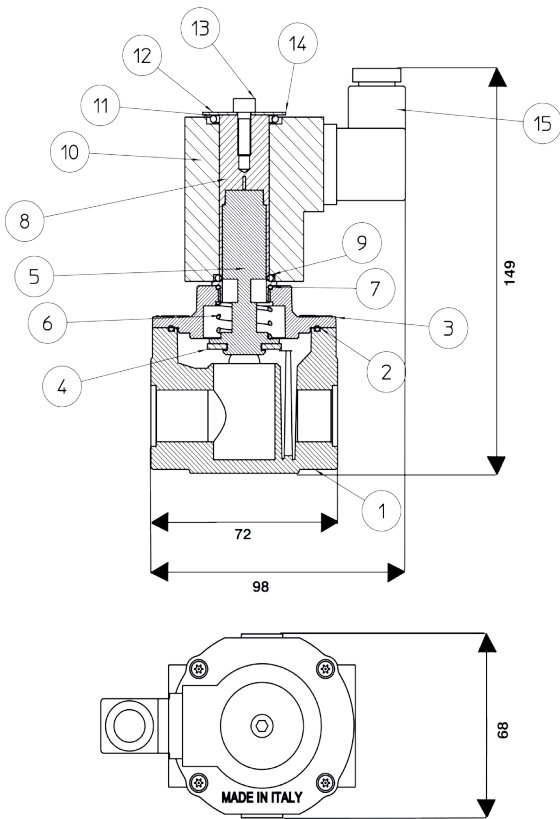


Technical Data

Max Pressure	360 mbar
Working Temperature	-20°C to 60°C

Dimensions in mm

This data sheet is designed as a guide and should not be regarded as wholly accurate in every detail. We reserve the right to amend the specification of any product without notice.



Automatic Gas Valves

Features

- BSP ISO 228
- Gas family 123 and air
- Approved to EN161
- Complies with PED 97/23/EC
- Other voltages available on request
- Fail safe closed
- Automatic reset

Technical Features

Opening time	<1 second
Closing time	<1 second
Max number of operations	20 per minute
Supply Voltage	230V (-15%+10%) 50-60Hz
Power	15 VA Coils to class F copper wire class H
Test point	3 connections Screw 1/4" NPT
Protection degree	IP65
Weight	1/2" - 0.8kg 3/4" - 0.8kgs 1" - 0.8kgs

N.	Component	Material
1	Body	Aluminium Alloy
2	O-Ring	NBR
3	Cover	Aluminium Alloy
4	Gasket	NBR
5	Plunger	Steel - Brass
6	Spring	Stainless Steel 304
7	O-Ring	NBR
8	Pilot	Steel - Brass
9	O-Ring	NBR
10	Coil	Steel - Nylon - Copper
11	O-Ring	NBR
12	Washer	NBR
13	Screw	Steel
14	Washer	Stainless Steel
15	Connector	Nylon

Technical Data

Max Pressure	360 mbar
Working Temperature	-20°C to 60°C

Dimensions in mm

This data sheet is designed as a guide and should not be regarded as wholly accurate in every detail. We reserve the right to amend the specification of any product without notice.