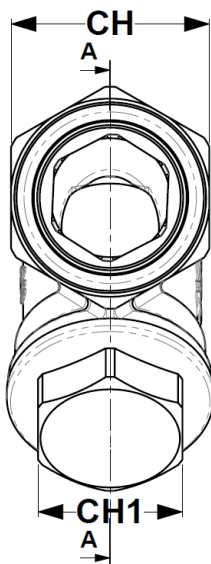
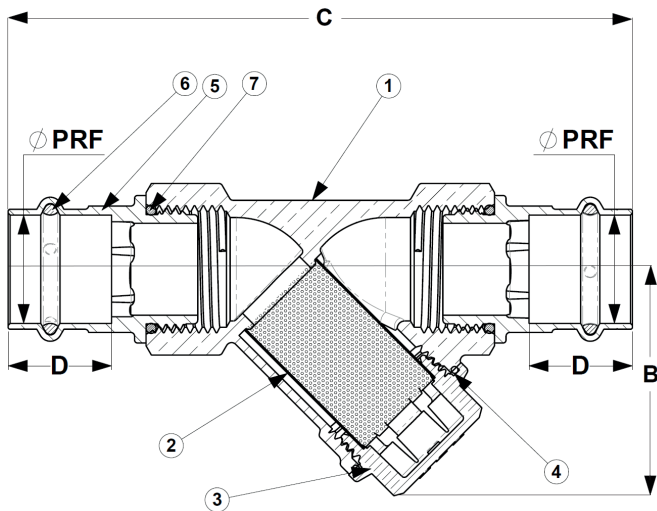
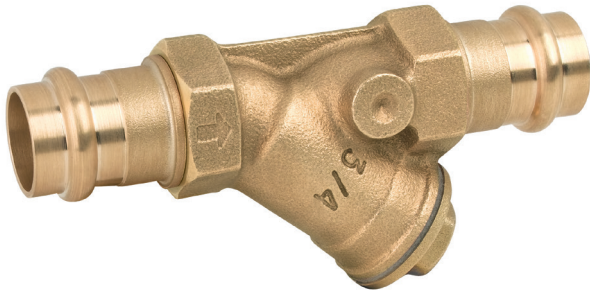


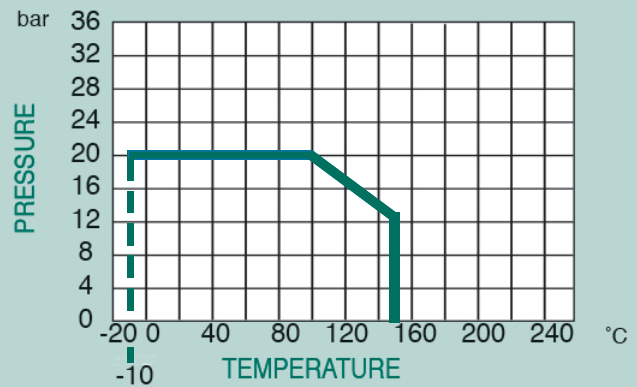
PN20 Brass 'Y' Type Strainer

Features

- 'M' Press Ends
- Brass Body
- EPDM 'O' Rings
- Stainless Steel Strainer
- Pre Press Leak Detection



Pressure / Temperature



ØPRF	15x15	22x22	28x28	35x35	42x42	54x54
B	39.4	49	59	72	81	98
C	127	145	163	180	201	237
D	22	25	27	27	32	33
CH	28	33	40	51	56	71
CH1	18	22	29	34	39	55
Kgs	0.3	0.5	0.7	1.2	1.4	2.5

Technical Data

Max Pressure	20 Bar
Working Temperature	-10°C to +150°C

N.	Part Name	Materials
1	Body	Brass
2	Strainer	Stainless Steel 304
3	Bonnet	DZR Brass
4	O-Ring	FKM70 Red
5	Joint	DZR Brass
6	O-Ring (Delta)	EPDM 70 PEROX
7	O-Ring	EPDM 70 PEROX

Dimensions in mm

This data sheet is designed as a guide and should not be regarded as wholly accurate in every detail. We reserve the right to amend the specification of any product without notice.