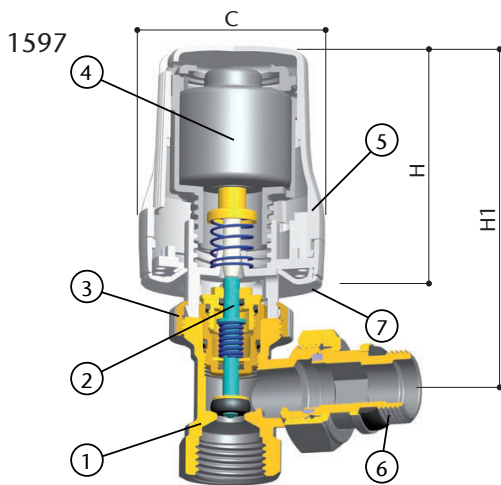
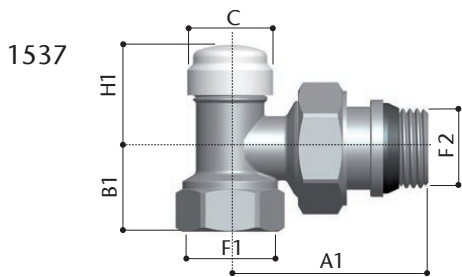
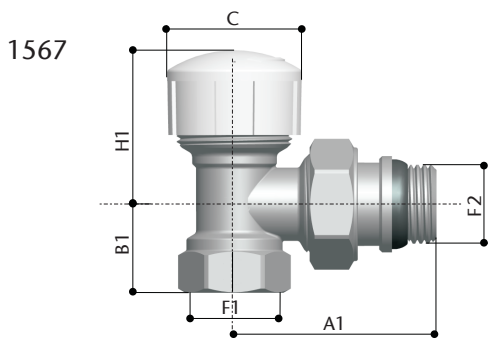


1/2" Angle Radiator Pack

Features

- 1/2" Angle Radiator TRV, Sensor Head & Lock shield pack
- Includes ART 1597, ART 1561, ART 1537 & 2x ART 1504
- Screwed BSP Parallel M/F threads (ISO 228/1) with Auto Seal Tail Piece
- Conforms to EN215 & suitable for use with all radiators
- Liquid Filled Sensor & TRV both have standard M30 x1.5 connection
- ART 1597 locking ring Temperature set-point lock & limit function



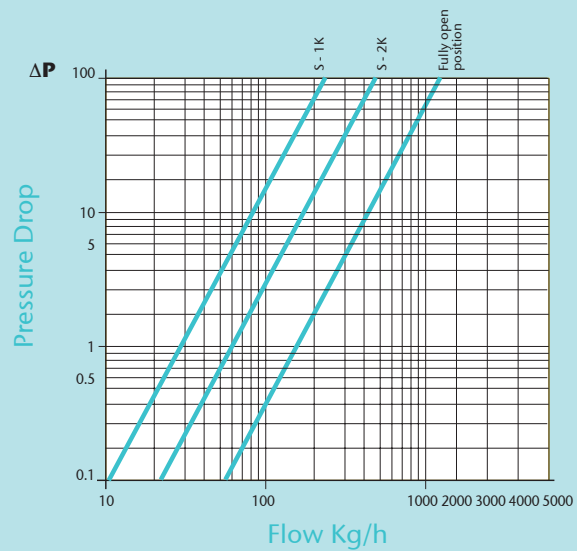
Technical Data

Pressure 10 Bar
Max Working Temperature 100°C

Dimensions in mm

This data sheet is designed as a guide and should not be regarded as wholly accurate in every detail. We reserve the right to amend the specification of any product without notice.

Flow And Pressure Drop - TRV ART 1567



| DN 1/2" | TRV | L/S | Sensor | Sensor/TRV Height |
|---------|------|------|--------|-------------------|
| A | 53.5 | 49.5 | | |
| B | 27.5 | 23 | | |
| H | 45 | 32 | 76.5 | |
| A1 | 52 | 51 | | |
| B1 | 23 | 21.5 | | |
| H1 | 40 | 26 | | 97 |
| C | 35 | 22 | 51 | |
| F1 | 1/2 | 1/2 | | |
| F2 | 1/2 | 1/2 | | |

| N | Part Name | Materials |
|---|--------------|---------------------|
| 1 | Body | Brass Nickel Plated |
| 2 | Bonnet | Brass |
| 3 | Locking ring | Brass Nickel Plated |
| 4 | Thermostat | - |
| 5 | Handle | ABS |
| 6 | Tail Piece | Brass Nickel Plated |
| 5 | Ring | ABS |