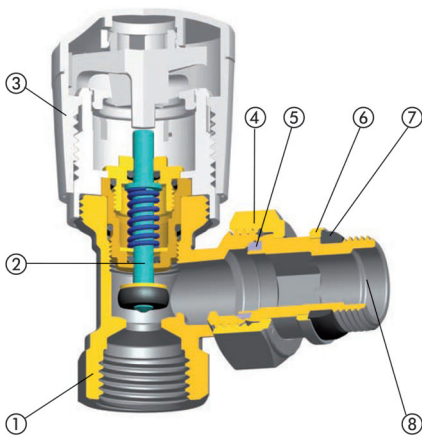
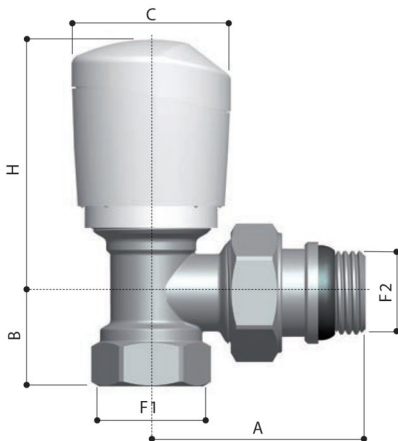


Angle Wheel Head Radiator Valve

Features

- Screwed BSP Parallel M/F (ISO 228/1)
- Auto Seal Tail Piece
- Suitable for use with all radiators
- BSP to Copper Adapter Available on Request
- Available with Pre-setting option



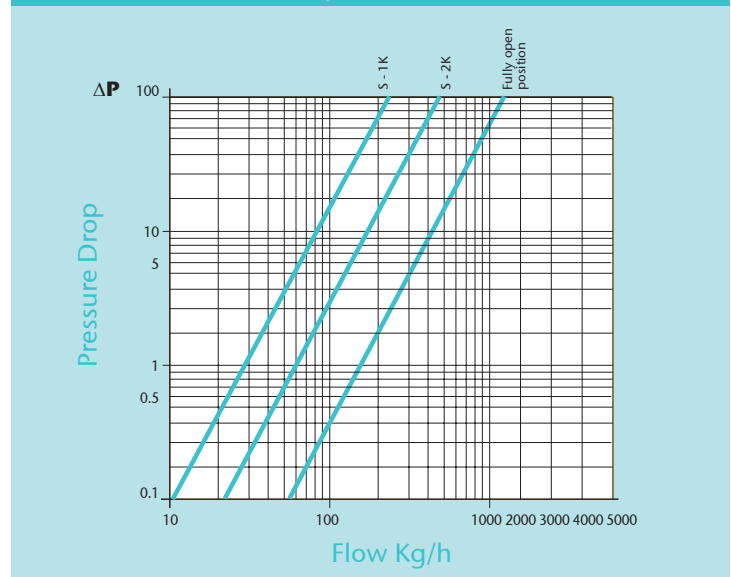
Technical Data

Pressure 10 Bar
Max Working Temperature 100°C

Dimensions in mm

This data sheet is designed as a guide and should not be regarded as wholly accurate in every detail. We reserve the right to amend the specification of any product without notice.

Flow And Pressure Drop



DN	3/8"	1/2"	3/4"
A	47.0	52.0	59.0
B	20.0	23.0	26.0
C	39.0	39.0	39.0
F1	3/8"	1/2"	3/4"
F2	3/8"	1/2"	3/4"
H	62.0	62.0	62.0

N.	Part Name	Materials
1	Body	Brass Nickel Plated
2	Bonnet	Brass
3	Handle	ABS
4	Nut	Brass Nickel Plated
5	Gasket	PTFE
6	Washer	Brass Nickel Plated
7	Gasket Rubber	EPDM
8	Tail Piece	Brass Nickel Plated