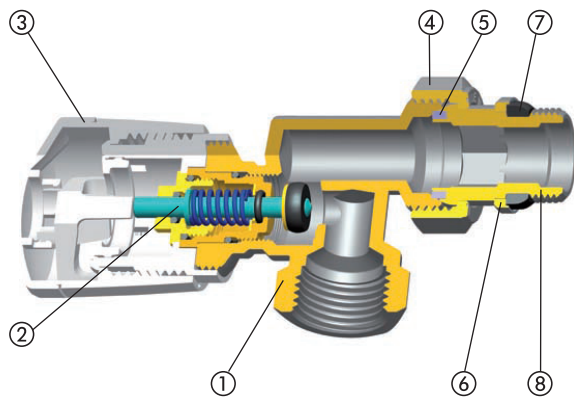
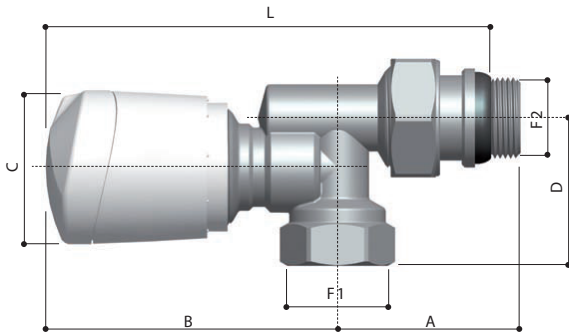


Reverse Angle Wheel Head Radiator Valve

Features

- Screwed BSP Parallel M/F (ISO 228/1)
- Auto Seal Tail Piece
- Suitable for use with all radiators
- BSP to Copper Adapter Available on Request



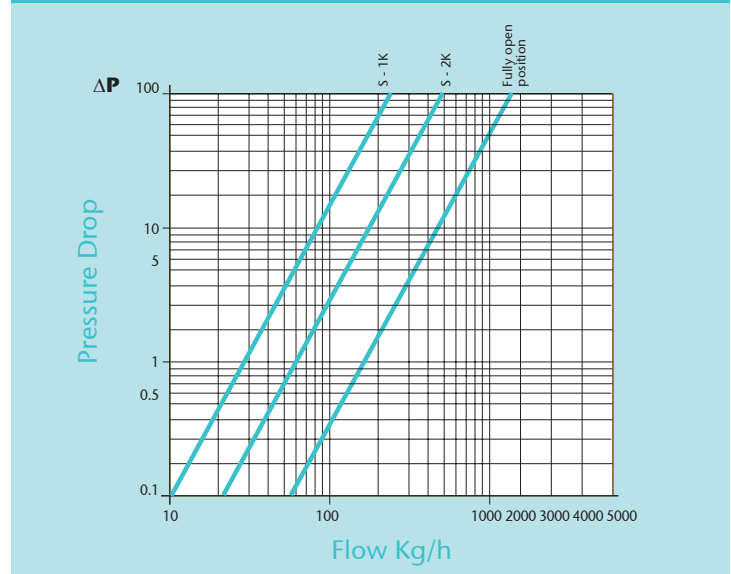
Technical Data

Pressure 10 Bar
Max Working Temperature 100°C

Dimensions in mm

This data sheet is designed as a guide and should not be regarded as wholly accurate in every detail. We reserve the right to amend the specification of any product without notice.

Flow And Pressure Drop



DN	1/2"
A	47.0
B	74.0
C	39.0
D	37.0
F1	1/2"
F2	1/2"
L	114.0

N.	Part Name	Materials
1	Body	Brass Nickel Plated
2	Bonnet	Brass
3	Handle	ABS
4	Nut	Brass Nickel Plated
5	Gasket	PTFE
6	Washer	Brass Nickel Plated
7	Gasket Rubber	EPDM
8	Tail Piece	Brass Nickel Plated