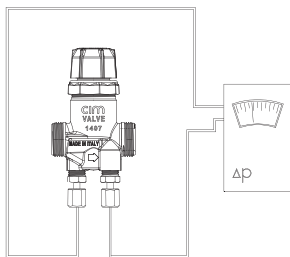
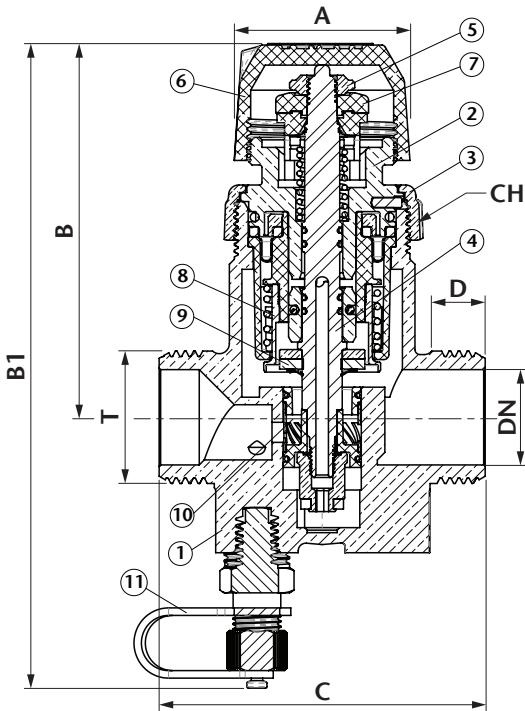




PN25 Pressure Independent Control Valve (PICV or PIBCV)

Features

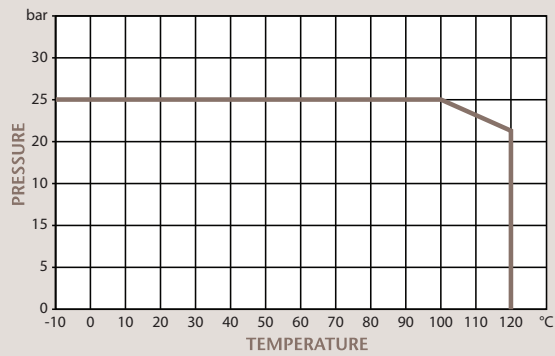
- DZR Brass body (CW602N-M)
- BSP Parallel (ISO 228/1)
- Easy Flow selection via preset dial
- Automatic flow balancing with fluctuating pressures
- Flow modulation along whole control actuator stroke (ART C21V, C22V, C23E)
- Reduction of commissioning, improved energy saving
- Phased installation & system future proofing
- Union tall pieces BSPM 2 required per valve



$$\Delta p \geq \Delta p_{\min} \rightarrow Q = Q_{\text{nom}}$$

$$\Delta p < \Delta p_{\min} \rightarrow Q = Kvs \sqrt{\Delta p}$$

Pressure/Temperature



DN	10LF	10HF	15LF	15HF	20HF	25HF
A	35	35	35	35	35	35
B	75	75	75	75	85	83
B1	130	130	130	130	150	146
C	53	53	65	65	82	104
D	9	9	11	11	12	13
T	G. 1/2"	G. 1/2"	G. 3/4"	G. 3/4"	G. 1"	G. 1 1/4"
CH	39	39	39	39	39	39
Kgs	0.450	0.450	0.490	0.490	0.790	0.960
Flow (l/s)	0.012-0.042	0.024-0.097	0.024-0.097	0.027-0.134	0.042-0.250	0.076-0.447
Min ΔP(kPa)	15-161	3-16.5	13-16.5	12.5-19.5	18-26	18-37
Kvs	0.11-0.37	0.24-0.86	0.24-0.86	0.27-1.09	0.35-1.77	0.64-2.65

N.	Part Name	Materials
1	Body	DZR Brass
2	Bonnet	DZR Brass
3	Fixing Ring	DZR Brass
4	Stem	Stainless Steel
5	Locking Nut	Brass
6	Plastic Cap	Plastic
7	Dial	Plastic
8	DPC Controller	DZR Brass
9	Gasket	EPDM
10	Regulator	DZR Brass
11	Binder	DZR Brass

Technical Data

Max Pressure	25 Bar
Working Temperature	-10°C to +120°C
Differential Pressure Range	4 Bar (400 kPa)

Dimensions in mm

This data sheet is designed as a guide and should not be regarded as wholly accurate in every detail. We reserve the right to amend the specification of any product without notice.