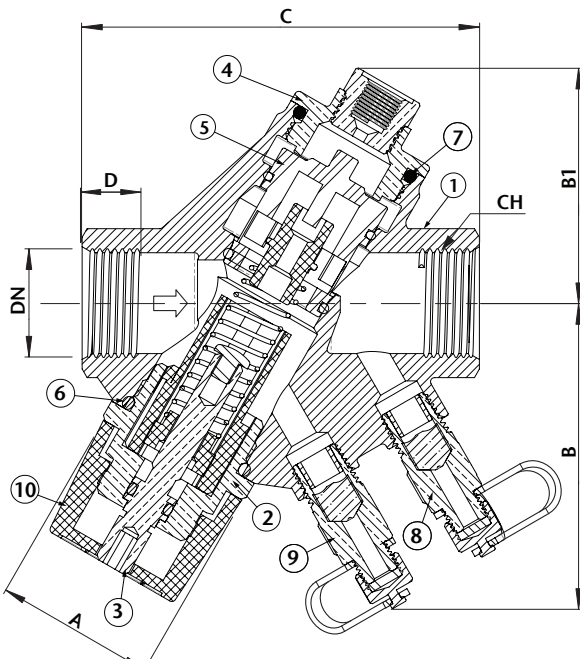
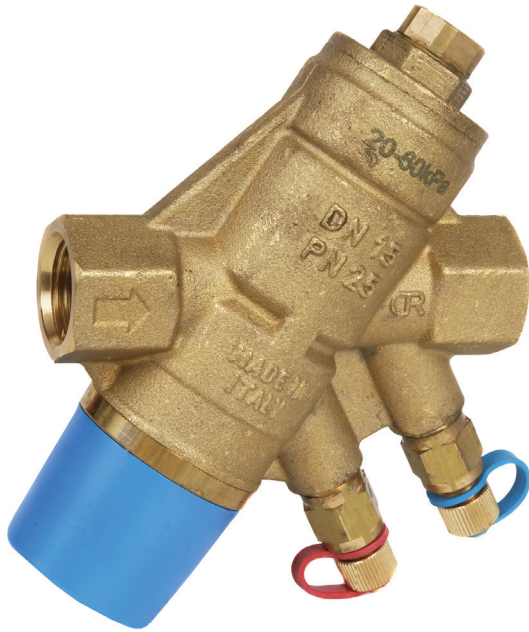


PN16 Differential Pressure Control Valve (DPCV)

Features

- DZR Brass body (CW602N-M)
- BSP Parallel (ISO 228/1)
- Differential pressure can be set and adjusted in situ
- Tamper proof pre-setting device
- Removable differential pressure cartridge allows forward flushing as well as back-flushing
- Reduction of commissioning, improved energy saving
- Phased installation and system future proofing



Technical Data

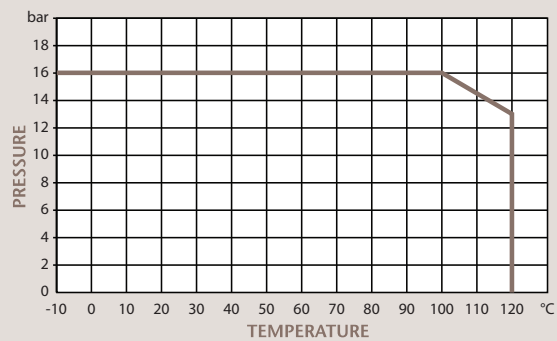
Max Pressure	16 Bar
Working Temperature	-10°C to +120°C

DN	15 Low ΔP	15 High ΔP	20 Low ΔP	20 High ΔP	25 Low ΔP	25 High ΔP	32 High ΔP	40 High ΔP	50 High ΔP
A	40	40	40	40	50	50	50	65	65
B	70	70	72	72	91	91	91	98	105
B1	57	57	57	57	74	74	74	85	90
C	95.5	95.5	96.5	96.5	132	132	132	144.5	155
D	11	11	13	13	14.5	14.5	17	17	20
CH	27	27	32	32	39	39	47	54	67
Kgs	0.825	0.825	0.880	0.880	1.535	1.535	1.625	2.475	2.970
Flow (l/s)	0.014-0.167	0.028-0.333	0.028-0.278	0.042-0.556	0.167-0.694	0.194-1.167	0.278-1.389	0.833-2.222	1.389-4.167
ΔP vers (kPa)	5-30	20-60	5-30	20-60	5-30	20-60	20-80	20-80	20-80
Kvs	3.6	3.6	4	4	9.5	9.5	11.4	16.4	17.9

Dimensions in mm

This data sheet is designed as a guide and should not be regarded as wholly accurate in every detail. We reserve the right to amend the specification of any product without notice.

Pressure/Temperature



N.	Part Name	Materials
1	Body	DZR Brass
2	Bonnet	DZR Brass
3	Stem	DZR Brass
4	Screwed End	DZR Brass
5	Differential Pressure Cartridge	DZR Brass
6	O-Ring	EPDM
7	O-Ring	EPDM
8	Blue Binder Point	DZR Brass
9	Red Binder Point	DZR Brass
10	Cap	Plastic