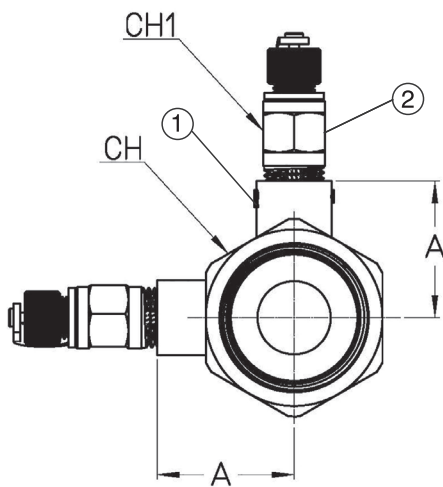
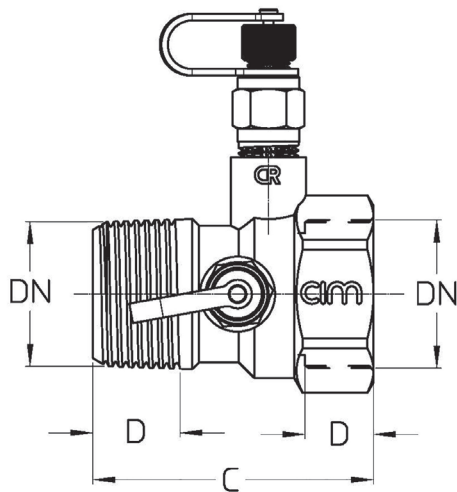


PN20 DZR Metering Station

Features

- BSP Parallel (1/2") Taper (3/4 - 2") (ISO 7/1)
- Fixing orifice with $\pm 5\%$ flow measurement accuracy
- Can be close coupled to a double regulating valve
- Supplied with 2 fitted test points
- 1/2" available in Std, Med, Low, Ultra Low and Ultra Ultra Low flow versions



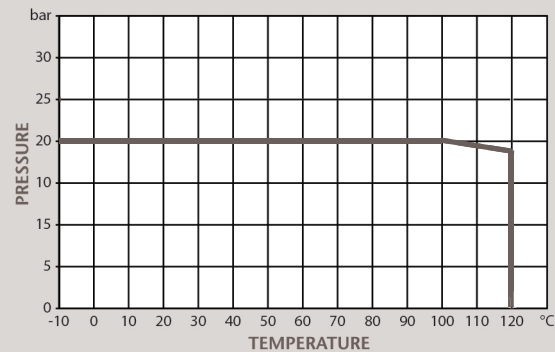
Technical Data

Max Pressure	20 Bar
Working Temperature	-10°C to +120°C

Dimensions in mm

This data sheet is designed as a guide and should not be regarded as wholly accurate in every detail. We reserve the right to amend the specification of any product without notice.

Pressure/Temperature



DN	1/2"	3/4"	1"	1 1/4"	1 1/2"	2"
A	25	28	31	36	39	45
C	67	67	64	71	71	80
D	17	17	19	22	21	26
CH	28	34	40	51	56	71
CH1	14	14	14	14	14	14
Kgs	0.25	0.27	0.32	0.47	0.53	0.81

N.	Part Name	Materials
1	Body	DZR Brass
2	Binder Test Point	DZR Brass