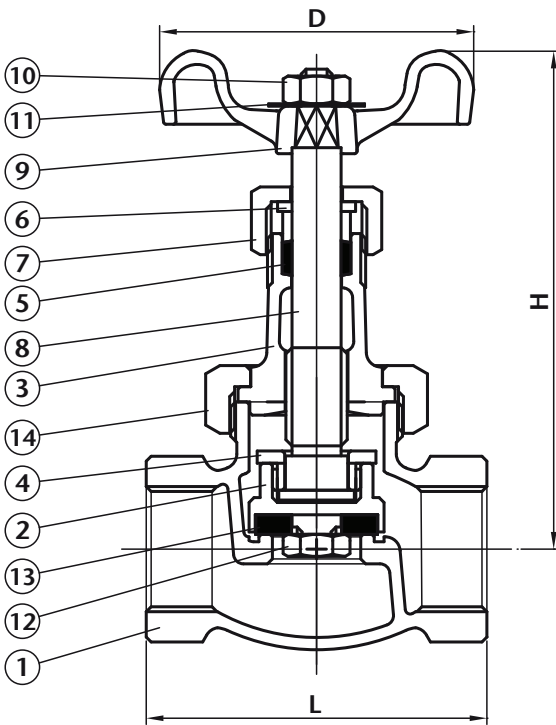
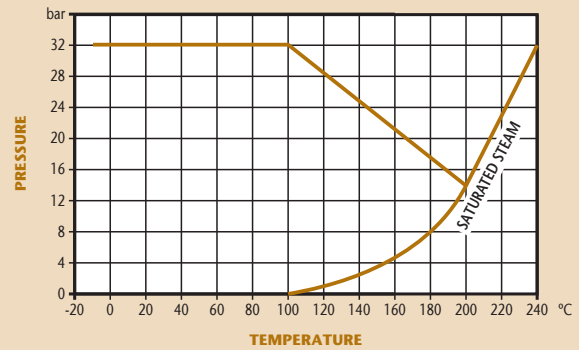


PN32 Bronze Globe Valve

Features

- Screwed BSP Taper (ISO 7/1)
- Bronze Body
- Union Bonnet
- Rising Stem
- PTFE Renewable Disc
- BS 5154 (BS EN12288)

Pressure / Temperature



DN	1/2"	3/4"	1"	1 1/4"	1 1/2"	2"
L	57	67	77	88	103	122
H	89	101	116	128	142	167
D	62	68	80	90	102	110
CV	3.5	6.6	12.0	22.0	30.0	50.0
Kgs	0.46	0.66	0.98	1.44	2.16	3.23

N.	Part Name	Materials
1	Body	Bronze
2	Disc	Bronze
3	Bonnet	Bronze
4	Lock Nut	Brass
5	Stem Packing	PTFE
6	Gland	Brass
7	Packing Nut	Brass
8	Stem	DZR Brass
9	Hand Wheel	Cast Iron
10	Wheel Nut	Steel
11	Name Plate	Aluminium
12	Disc Nut	1/2 - 3/4" Brass - 1-2" Bronze
13	Disc Teflon	PTFE
14	Union Nut	Bronze

Technical Data

Max Pressure	32 Bar
Working Temperature	-10°C to +200°C

Dimensions in mm

This data sheet is designed as a guide and should not be regarded as wholly accurate in every detail. We reserve the right to amend the specification of any product without notice.