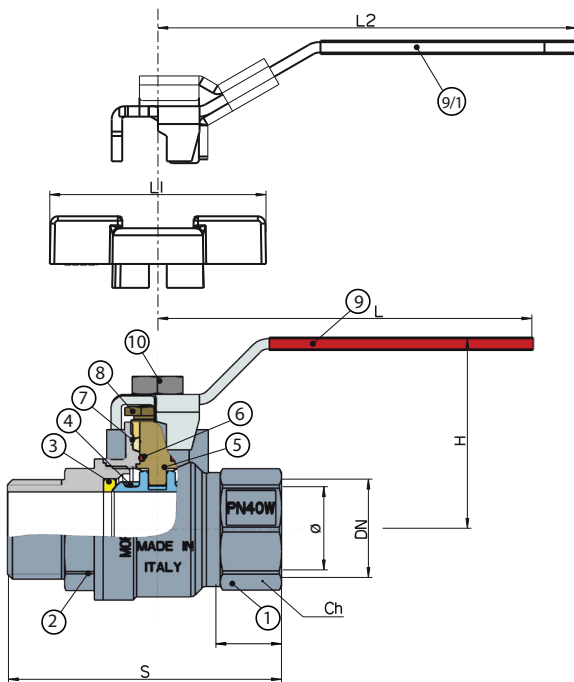
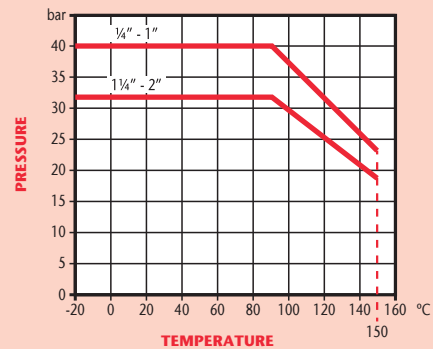


## PN40 Brass Ball Valve

### Features

- Screwed BSP Parallel M/F Ends (ISO 228/1)
- PTFE Seats & Seals
- Anti-Blow Out Stem
- Full Bore
- Locking Lever & Tee Handle Options Available
- WRAS Approved

### Pressure / Temperature



| DN  | 1/4" | 3/8" | 1/2" | 3/4" | 1"   | 1 1/4" | 1 1/2" | 2"   |
|-----|------|------|------|------|------|--------|--------|------|
| Ø   | 10   | 10   | 15   | 20   | 25   | 32     | 40     | 50   |
| F   | 10   | 12   | 15   | 16   | 19   | 20.5   | 21.5   | 24.5 |
| S   | 42   | 54   | 70   | 80   | 92   | 102    | 117    | 137  |
| H   | 41   | 41   | 54   | 58   | 66   | 71     | 80     | 88   |
| L   | 80   | 80   | 90   | 90   | 125  | 125    | 140    | 140  |
| L1  | 52   | 52   | 62   | 62   | 72   |        |        |      |
| L2  | 95   | 95   | 120  | 120  | 150  | 150    | 160    | 160  |
| Ch  | 21   | 21   | 26   | 31   | 38   | 48     | 55     | 68   |
| Kgs | 0.11 | 0.13 | 0.27 | 0.37 | 0.62 | 0.93   | 1.35   | 2.14 |

### Technical Data

|                     |         |                 |
|---------------------|---------|-----------------|
| Max Pressure        | 1/4"-1" | 40 Bar          |
|                     | 1/4"-2" | 32 Bar          |
| Working Temperature |         | -20°C to +150°C |

| N.  | Part Name      | Materials                |
|-----|----------------|--------------------------|
| 1   | Body           | Brass/Nickel Plated      |
| 2   | Body End       | Brass/Nickel Plated      |
| 3   | Seat           | PTFE                     |
| 4   | Ball           | Brass/Chrome Plated      |
| 5   | Stem           | Brass                    |
| 6   | 'O' Rings      | HNBR                     |
| 7   | Stem Seat      | PTFE                     |
| 8   | Packing Nut    | Brass                    |
| 9   | Lever          | Steel/PVC-Plastic Coated |
| 9/1 | Lockable Lever | Steel/PVC-Plastic Coated |
| 10  | Nut            | Steel/Zinc Plated        |

Dimensions in mm

This data sheet is designed as a guide and should not be regarded as wholly accurate in every detail. We reserve the right to amend the specification of any product without notice.