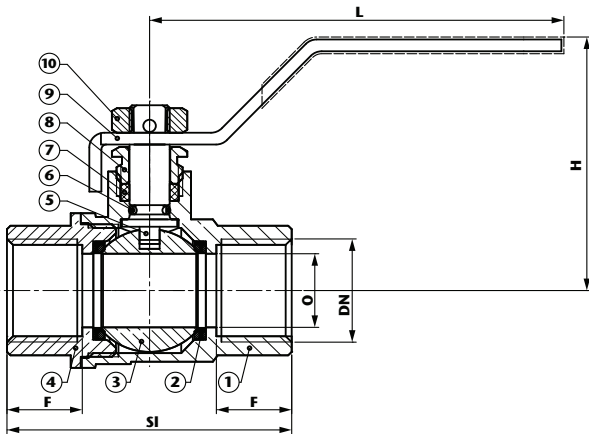
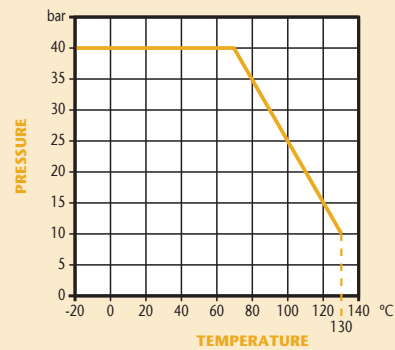


PN40 DZR Brass Ball Valve

Features

- Screwed BSP Taper Ends (ISO 7/1)
- Anti-Blow-Out Stem
- PTFE Seats & Seals
- Full Bore
- WRAS Approved

Pressure / Temperature



DN	1/4"	3/8"	1/2"	3/4"	1"	1 1/4"	1 1/2"	2"
O	10	10	14.5	19	24.5	31.5	40	49
F	11.5	11.5	15	18	19.5	20	21	26.5
S1	45	45	57	67	77	88	99	121
H	41	41	52	49	62	81	90	96
L	82	82	87.5	100	125	141	141	165
Kgs	0.15	0.14	0.21	0.32	0.49	0.75	1.00	1.61

Technical Data

Max Pressure 40 Bar
 Working Temperature -20°C to +130°C

N.	Part Name	Materials
1	Body	DZR Brass
2	Seat	PTFE
3	Ball	Brass Chrome Plated
4	Body End	DZR Brass
5	Stem	Brass
6	'O' Ring	NBR
7	Stem Packing	PTFE
8	Lock Nut	Brass
9	Lever	Steel
10	Nut	Steel

Dimensions in mm

This data sheet is designed as a guide and should not be regarded as wholly accurate in every detail. We reserve the right to amend the specification of any product without notice.