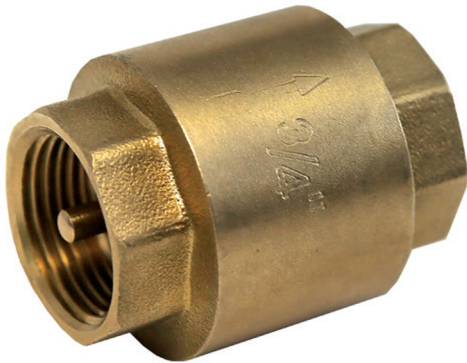


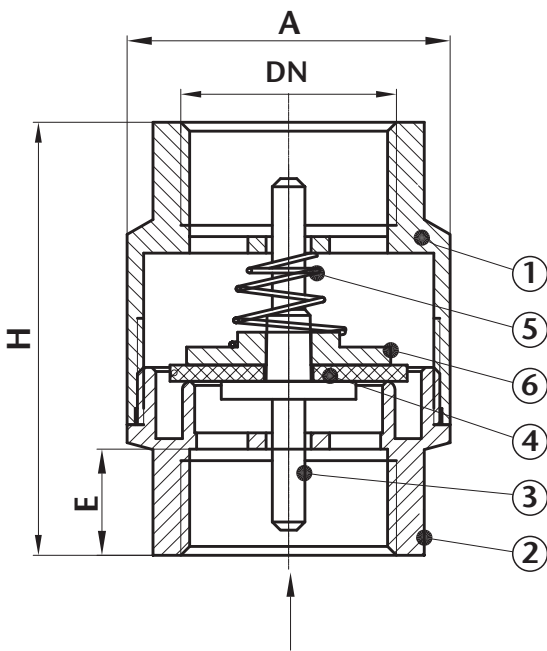
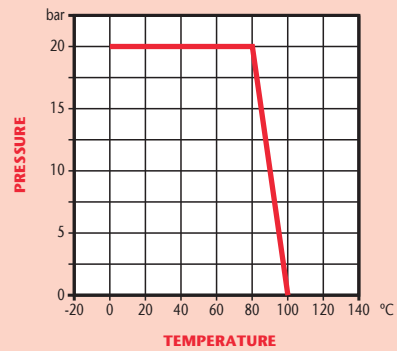
PN20 Brass Spring Check Valve

Features

- Screwed BSP Parallel (ISO 228/1)
- Brass Body
- Rubber Disc



Pressure / Temperature



DN	3/8"	1/2"	3/4"	1"	1 1/4"	1 1/2"	2"	2 1/2"	3"	4"
A	32.5	33	39	45	55	60	79	95	110	143
H	44.5	47	49	58	65	70	83	100	107	111
E	11	12	14	14.5	14.5	16	18.5	22	24	24
Kgs	0.14	0.13	0.18	0.26	0.40	0.59	0.84	1.50	1.92	3.05

Technical Data

Max Pressure	20 Bar
Working Temperature	0°C to +100°C

N.	Part Name	Materials
1	Body	Brass
2	Bonnet	Brass
3	Disc Holder	Brass
4	Disc	NBR
5	Spring	Stainless Steel 304
6	Spring Holder	Brass

Dimensions in mm

This data sheet is designed as a guide and should not be regarded as wholly accurate in every detail. We reserve the right to amend the specification of any product without notice.