

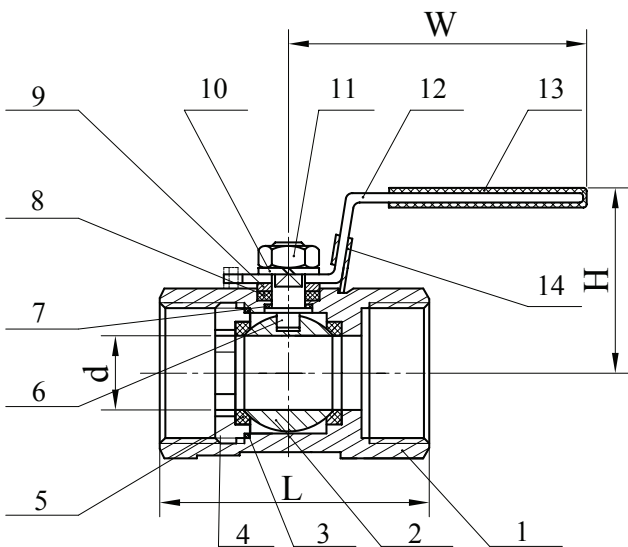
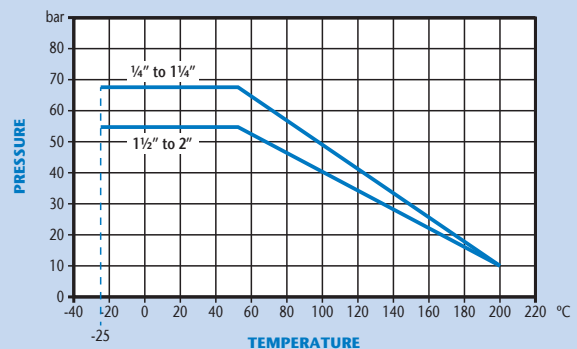
PN69 Stainless Steel 1 Piece Ball Valve

Features

- BSP Taper (ISO 7/1)
- RPTFE (15%) Seats
- PTFE Seals
- Reduced Bore
- PN69 Rated
- Locking Device



Pressure / Temperature



DN	1/4"	3/8"	1/2"	3/4"	1"	1 1/4"	1 1/2"	2"
d	5	6.8	9.5	12.7	16	20	25	32
L	40	45	56	59	71	76	85	99
H	32	33	43	45	48	58.3	67	74
W	67	67	93	93	93	106	128	128
Torque	4	4	6	6	8	10	14	15
Kgs	0.09	0.12	0.19	0.28	0.39	0.58	0.85	1.35

N.	Part Name	Materials
1	Body	CF8M
2	Ball	Stainless Steel 316
3	Body Gasket	PTFE
4	Cap	CF8M
5	Ball Seat	R-PTFE (15%)
6	Stem	Stainless Steel 316
7	Thrust Washer	PTFE
8	Stem Packing	PTFE
9	Washer	Stainless Steel 304
10	Spring Washer	Stainless Steel 304
11	Nut	Stainless Steel 304
12	Handle	Stainless Steel 304
13	Handle Cover	Plastic
14	Lock Device	Stainless Steel 304

Technical Data

Max Pressure 69 Bar (1/4"-1 1/4") 55 Bar (1 1/2"-2")
 Working Temperature -25°C to +200°C

Dimensions in mm

This data sheet is designed as a guide and should not be regarded as wholly accurate in every detail. We reserve the right to amend the specification of any product without notice.